

Switch Language

English

Need Assistance?

- Contact Us
- Find a Distributor
- Order Samples
- Tech Library

Printer-friendly page

Email this page

[Home](#)   [Quick Disconnects](#)   [Datasheet](#)

**Part Number:** 0196060005

**Status:** Active

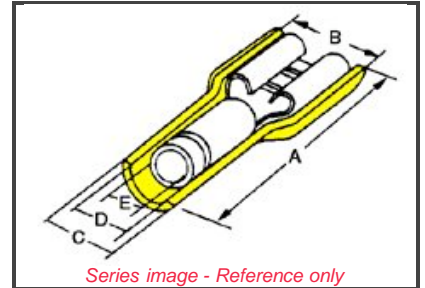
**Description:** Avikrimp™ Fully Insulated Quick Disconnect, Female, for 10-12 AWG Wire, Box

**Documents:**

Note - Please disable browser pop-up blockers for documents on [www.molex.com](http://www.molex.com)

[Drawing \(PDF\)](#)

[Related Catalog Page \(PDF\)](#)



**Order Products:**

[Check Distributor Inventory](#)

[Add to My Parts](#)

[Request Samples](#)

**Part Detail:** ([show all](#))

[General](#)   [Physical](#)   [Electrical](#)   [Material Info](#)

**General**

Product Family	Quick Disconnects
Series	<u>19606</u>
Product Name	Avikrimp™
Type	Quick Disconnect

**Physical**

Barrel Type	Closed
Flammability	94V-2
Gender	Female
Insulation	Nylon (PA)
Lock to Mating Part	None
Material - Metal	Brass
Material - Plating Mating	Tin
Material - Plating Termination	Tin
Orientation	Straight
Packaging Type	Bag
Plating min: Mating (µin)	100
Plating min: Mating (µm)	2.5
Plating min: Termination (µin)	100
Plating min: Termination (µm)	2.5
Polarized to Mating Part	No
Tab Thickness	0.81mm (.032")
Tab Width	6.35mm (.250")
Temperature Range - Operating	-65°C to +105°C
Termination Interface: Style	Crimp or Compression
Wire Insulation Diameter	5.84mm (.230") max.
Wire Size AWG	10
Wire Size AWG	12
Wire Size mm²	3.30 - 5.00

**Electrical**

CSA	LR18689
UL	E79133
Voltage - Maximum	300V

**Material Info**

**EU RoHS**

**ELV and RoHS Compliant**

**China RoHS**



**Need more information on product compliance?**

Email [productcompliance@molex.com](mailto:productcompliance@molex.com)

Please visit the [Contact Us](#) section for any non-product compliance questions.

**Search Parts in this Series**

19606 Series

**Application Tooling**

*Tooling specifications and manuals are found by selecting the products below. Crimp Height Specifications are then contained in the Application Tooling Specification document.*

**Global**

Description	Product #
Hand Crimp Tool	<u>0640010200</u>
Crimp Head for the AT-200™ Pneumatic Hand Tool	<u>0640050200</u>

**Reference - Drawing Numbers**

Sales Drawing

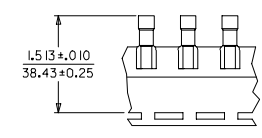
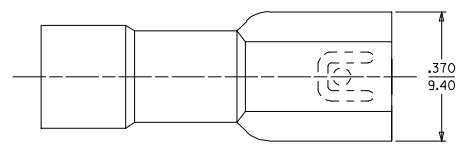
SD-19606-401

---

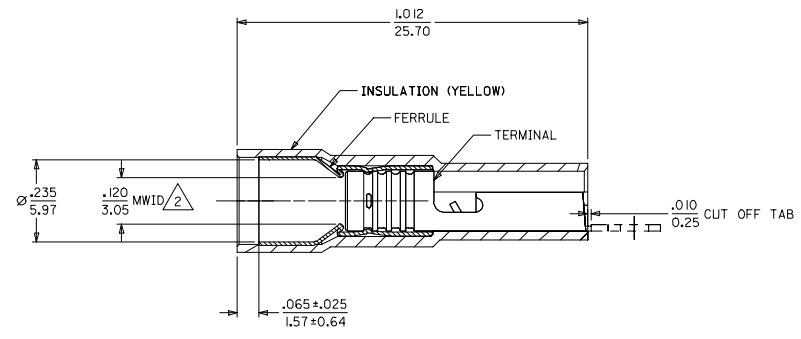
[Feedback](#) [Privacy](#) [Legal](#) [Site Map](#) [Help](#)

Copyright 2005-2008

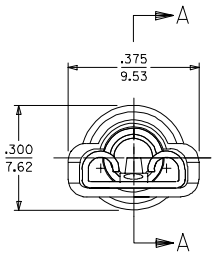
13	12	11	10	9	8	7	6	5	4	3	2	1
MATERIAL NUMBER	ENGINEERING NUMBER	CARRIER STYLE										
I96065005	I9606-5005	LOOSE PIECE										
I96065006	I9606-5006	TAPE MOUNT										



PARTS ON TAPE



SECTION A-A  
TERMINAL NOT SECTIONED



NOTES:  
 I. MATERIAL:  
 INSULATION: NYLON 94V2.  
 TERMINAL: TIN PLATED BRASS.  
 △ MWID = MAXIMUM WIRE INSULATION DIAMETER.

SALES DRAWING

WAS RSD DWG EC NO: ETC2005-0164 DRAWN BY: 2005/03/15 CHECKED BY: 2005/04/01 APPROVED BY: 2005/04/01	QUALITY SYMBOLS	GENERAL TOLERANCES (UNLESS SPECIFIED)	DIMENSION STYLE IN/MM	SCALE 5:1	DESIGN UNITS INCH	THIRD ANGLE PROJECTION
	▽=0	4 PLACES ± --- ± ---	DRAWN BY BRE DATE 2005/03/15			
	▽=0	3 PLACES ± --- ± .005	CHECKED BY DATE			
		2 PLACES ± 0.13 ± .01	R DEROSS 2005/03/15			
	1 PLACE ± 0.25 ± ---	APPROVED BY DATE				
	ANGULAR ± 1/2°	R DEROSS 2005/03/15				
		DRAFT WHERE APPLICABLE MUST REMAIN WITHIN DIMENSIONS	MATERIAL NO. SEE CHART	DOCUMENT NO. SD-19606-401	SHEET NO. 1 OF 1	

FIQD FEMALE AVIKRIMP  
 HIGH RETENTION  
 .250 X.032 TAB 12-10 AWG  
 MOLEX INCORPORATED