

Current refinements (click to remove)

[Search Tips](#)
 Region USA Product Family Fork Terminal, Nylon Insulated Text Search: 'PN18-10F-C'

Your search criteria matched only one product, shown below.


- Fork design provides for fast and easy installation, without the need to remove fastener
- Metal insulation grip sleeve crimps to wire insulation, providing protection to the crimp joint during high vibration applications
- Internal barrel serrations assure good wire contact and maximum tensile strength
- UL Flammability UL 94V-2/HB, maximum insulation temperature 221°F (105°C)
- UL and CSA rated up to 600 V per UL 486

‡UL and CSA approved tooling/product combinations.

Note: Wire sizes #26 – #22 AWG, are not UL Listed or CSA Certified.

| | |
|-------------------------|---|
| Part Number: | PN18-10F-C |
| RoHS Compliancy Status: | Compliant |
| Part Description: | Fork Terminal, nylon insulated, 22 – 18 AWG, #10 stud size. |
| Product Type: | Terminals |
| CSA Certified: | Yes |
| UL Listed: | Yes |
| Length (In.): | .86 |
| Width (In.): | .35 |
| Clearance: | .25 |
| Max. Ins.: | .145 |
| Panduit Color Code: | Red |
| Stock: | .03 |
| Stud Size: | #10 |
| Tool: | CT-100A‡, CT-600-A‡, CT-1550‡, CT-1551‡, CT-2500‡ |
| Wire Range: | 22 – 18 AWG |
| Min. Order UOM: | PC |
| Min. Order Qty.: | 100 |

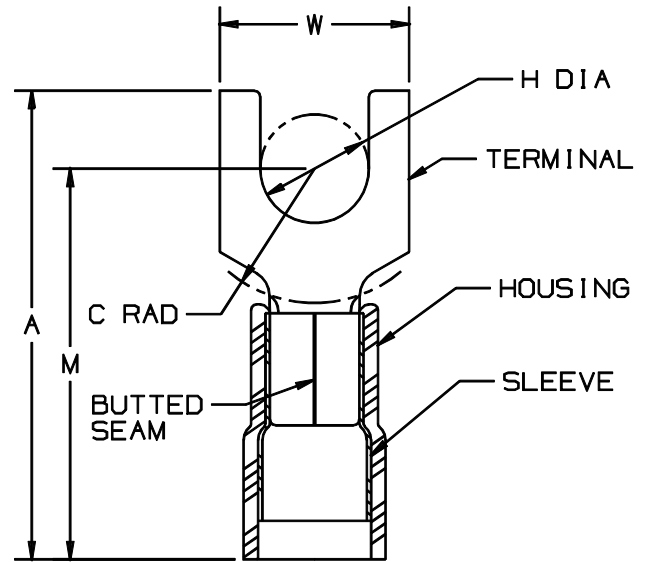
BOM Qty. (# of Pkgs.)

[Add to My Catalog](#)

 Please [register](#) to utilize the 'Bill of Materials', 'Submit Quotes' and 'My Catalog' features.

THIS COPY IS PROVIDED ON A RESTRICTED BASIS AND IS NOT TO BE USED IN ANY WAY DETRIMENTAL TO THE INTERESTS OF PANDUIT CORP.

| PANDUIT PART NUMBER | | STUD SIZE | DIMENSIONS in. | | | | |
|---------------------|----------|-----------|-----------------------------------|-----------------------------------|-----------------------------------|-----------------------------------|-----------------------------------|
| PREFIX | PK | | A ^{±.03} _{1.81} | W ^{±.01} _{1.31} | C ^{±.02} _{1.51} | M ^{±.03} _{1.81} | H ^{±.01} _{1.31} |
| PN18-6FN | -C -M | #6 | .78 (19.8) | .24 (6.1) | .20 (5.1) | .64 (16.3) | .15 (3.8) |
| PN18-6F | -C -M | #6 | .78 (19.8) | .30 (7.6) | .20 (5.1) | .64 (16.3) | .15 (3.8) |
| PN18-8F | -C -M | #8 | .85 (21.6) | .32 (8.1) | .23 (5.8) | .68 (17.3) | .17 (4.3) |
| PN18-10F | -C -M | #10 | .86 (21.8) | .35 (8.9) | .25 (6.3) | .70 (17.8) | .20 (5.1) |
| PN18-10FN | -C -M | #10 | .86 (21.8) | .31 (7.9) | .25 (6.3) | .70 (17.8) | .20 (5.1) |
| PN18-14F | -C -M | 1/4" | 1.03 (26.2) | .44 (11.2) | .33 (8.4) | .78 (19.8) | .27 (6.9) |



NOTES :

- UL LISTED AND CSA CERTIFIED FOR :
 - A. 600 V MAX. VOLTAGE RATING
 - B. 221°F (105°C) MAX. TEMP. RATING
 - C. #22-18 AWG SOLID OR STRANDED COPPER WIRE WITH CT-100 INSTALLATION TOOL
 - D. #22-16 AWG SOLID OR STRANDED COPPER WIRE WITH CT-500, CT-550 CT-1550, CT-1551, & CT-400 (UL ONLY) INSTALLATION TOOLS
- PANDUIT APPROVED (#22-18 AWG) WITH CT-160 & CT-260 INSTALLATION TOOLS
- WIRE STRIP LENGTH: $7/32 \begin{matrix} +1/32 \\ -0 \end{matrix}$ (5.6 $\begin{matrix} +.8 \\ -0 \end{matrix}$)
- MAX WIRE INSULATION DIA: .145 (3.68)
MIN WIRE INSULATION DIA: .080 (2.03)
- MATERIAL :
 - A. STAMPING : .03" (.8) THK COPPER, TIN PLATED
 - B. HOUSING : RED NYLON
 - C. SLEEVE : TIN PLATED BRASS
- PACKAGING:
 - A. STD : -C = 100
 - B. BULK : -M = 1000
- DIMENSIONS IN BRACKETS ARE IN MILLIMETERS




LISTED
587H
E52164



CERTIFIED
LR31212

A41191_04

| | | | | | | | | | | | |
|-----|-------|------|-----|------------------------------------|-------|------|------|----------|-------|--|--------|
| 04 | 1/01 | KMD | | CAD FILE SPEC. WAS N41191AA_PCD_03 | | | | | |  CORP. TINLEY PARK, ILLINOIS 3PC. NYLON INSULATED, 22-18 BARREL, FORKS | |
| 03 | 12/96 | JAMB | | ADDED NOTE, "MIN WIRE INSUL. DIA." | 05371 | | | | | | |
| 02 | 5/96 | TH | RLS | UPDATED NOTES & DIMENSIONS | 04464 | LA | DRH | | | | |
| 01 | 8/92 | BK | RLS | UPDATED DIMENSIONS & FORMAT | 01124 | LA | JJMC | | | | |
| REV | DATE | BY | CHK | DESCRIPTION | ECN # | CUST | PM | DRAWN BY | CHK'D | | SCALE |
| | | | | | | | | FES | RLS | NONE | A41191 |