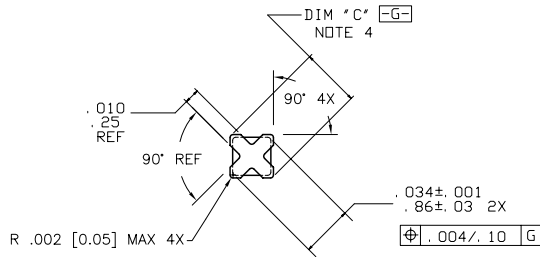
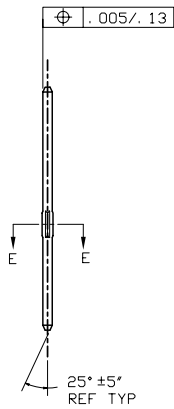
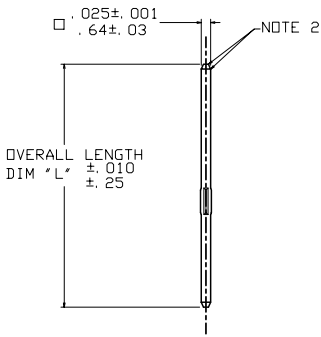
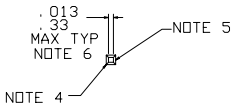
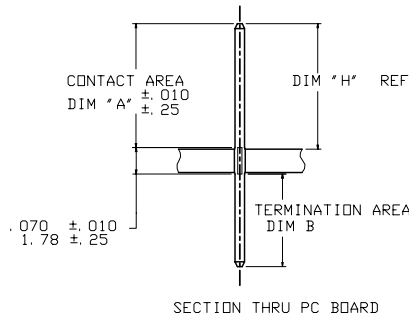


PRODUCT NUMBER
SEE TABLE



SECTION E-E
SCALE 12/1
WITHOUT FERRULE



mat'l. code		surface		tolerance		projection		product family	
SEE NOTE 1		ASME Y14.5 ✓		ASME Y14.5		INCH/MM		PIN PRODUCTS	
Y	v07-0009	HTB	2007-01-05	tolerances unless otherwise specified	XX±01/XX±3	INCH/MM	scale 3:1	title	
AA	v08-0353	HTB	2008-08-18	angles	XXX±005/XXX±8	INCH/MM	scale 3:1	BERGPIN® LOOSE PIECE	
-	-	-	-	0° ± 2'	XXXX±0020/XXX±051	INCH/MM	scale 3:1	.039"[0.99] DIA. STAR	
U	v71498	HTB	1997-10-28	dr	M. FETROW 1994-05-16	INCH/MM	scale 3:1	dwg no	
V	v01594	JRW	2000-07-12	engr	L. FYE 1994-05-16	INCH/MM	scale 3:1	76151	
W	v05-0399	HTB	2005-04-28	chr	L. FYE 1994-05-16	INCH/MM	scale 3:1	sheet 1 of 5	
X	v06-0684	HTB	2006-07-24	appd	L. FYE 1994-05-16	INCH/MM	scale 3:1	size A4	
sheet	revision	AA	AA	AA	AA	AA	AA	type	
index	sheet	1	2	3	4	5		CUSTOMER Drawing	

PRODUCT NUMBER NOTE 9	PLATING	UNDERPLATING
76151-YYY	30μ" [0.76μ] MIN Au	50μ" [1.27μ] MIN Ni
76151-YYLFF		
76153-YYY	50μ" [1.27μ] MIN Au	50μ" [1.27μ] MIN Ni
76153-YYLFF		
76154-YYY	120μ" [3.05μ] MIN 93/7 SnPb	50μ" [1.27μ] MIN Ni
76154-YYLFF	100μ" [2.54μ] MIN Sn (NOTE 10)	50μ" [1.27μ] MIN Ni
76155-YYY	30μ" [0.76μ] MIN CXT™	50μ" [1.27μ] MIN Ni
76155-YYLFF		
76156-YYY	15μ" [0.38μ] MIN CXT™	50μ" [1.27μ] MIN Ni
76156-YYLFF		
76159-YYY	15μ" [0.38μ] MIN Au	50μ" [1.27μ] MIN Ni
76159-YYLFF		

DISCONTINUED

NOTES:

- ①. MATERIAL: 3/4 HARD PHOS BRONZE
ASTM B-159-66
- ②. BURNISH MARKS ON PIN PERMITTED
BURR .003 [0.08] MAX BULGE
.0005 [0.013] MAX TYP.
3. SEE PRODUCT SPECIFICATION BUS-12-064
FOR P.C. BOARD HOLE DIAMETER AND P.C.
BOARD HOLE PLATING INFORMATION.
- ④. .002 [0.05] R MAX TYP 4X ON WIRE
PORTION OF PIN.
- ⑤. TWO SIDES OF LEAD-IN NOT PLATED
TYP BOTH ENDS.
- ⑥. .016 [0.41] MAX OPPOSITE END IF DIM
B IS LESS THAN .230 [5.84].
- ⑦. TOLERANCE: +.001 [0.03], -.002 [0.05]
- ⑧. TOLERANCE: ±.001 [0.03]
- ⑨. ADD AN LF SUFFIX TO PART NUMBERS FOR PRODUCT
THAT MEETS EUROPEAN UNION DIRECTIVES AND OTHER
COUNTRY REGULATIONS AS DESCRIBED IN GS-22-008.
- ⑩. THIS PRODUCT HAS 100% TIN PLATING IN THE
INTERFACE AND HAS NOT BEEN TESTED FOR WHISKER
GROWTH IN ALL INTERCONNECT ENVIRONMENTS.

mat'l. code		SEE NOTE 1		surface	tolerance	projection	product family
lfr	ecn no	dr	date	ASME Y14.5 ✓	ASME Y14.5		PIN PRODUCTS
AA				tolerances unless otherwise specified	XXX+01/XX+3	INCH/MM	title
				angles	XXX+005/XX+13	scale 1:1	BERGPIN® LOOSE PIECE .039"[0.99] DIA. STAR
				0° ±2°	XXXX+0020/XXX+051		dwg no
				dr	M. FETROW 1994-05-16		sheet 2 of 5
				engr	L. FYE 1994-05-16		76151
				chr	L. FYE 1994-05-16		A4
				appd	L. FYE 1994-05-16		type
sheet	revision						CUSTOMER Drawing
index	sheet						

Copyright FCJ



FCJconnect.com

1 | 2

3 |

4

PRODUCT NO. NOTE 9	CONTACT AREA DIM "A"	TERMINATION AREA DIM "B"	DIM "C"	DIM "H" FOR .062 BOARD 1.57	DIM "H" FOR .093 BOARD 2.36	DIM "H" FOR .125 BOARD 3.17	OVERALL LENGTH DIM "L"	CUSTOMER RESTRICTED
7615X-001	.230/5.84	.045/1.14	.039/0.99 NOTE 7	.235/5.97	.220/5.59	.205/5.21	.345/8.76	NO
7615X-002	.265/6.73	.045/1.14	.039/0.99 NOTE 7	.270/6.86	.255/6.48	.240/6.10	.380/9.65	NO
7615X-003	.345/8.76	.045/1.14	.039/0.99 NOTE 7	.350/8.89	.335/8.51	.320/8.13	.460/11.68	NO
7615X-004	.400/10.16	.045/1.14	.039/0.99 NOTE 7	.405/10.29	.390/9.91	.375/9.53	.515/13.08	NO
7615X-005	.415/10.54	.045/1.14	.039/0.99 NOTE 7	.420/10.67	.405/10.29	.390/9.91	.530/13.46	NO
7615X-006	.435/11.05	.045/1.14	.039/0.99 NOTE 7	.440/11.18	.425/10.80	.410/10.41	.550/13.97	NO
7615X-007	.465/11.81	.045/1.14	.039/0.99 NOTE 7	.470/11.94	.455/11.56	.440/11.18	.580/14.73	NO
7615X-008	.515/13.08	.045/1.14	.039/0.99 NOTE 7	.520/13.21	.505/12.83	.490/12.45	.630/16.00	NO
7615X-009	.575/14.61	.040/1.02	.039/0.99 NOTE 7	.575/14.61	.560/14.22	.545/13.84	.685/17.40	NO
7615X-010	.585/14.86	.045/1.14	.039/0.99 NOTE 7	.590/14.99	.575/14.61	.560/14.22	.700/17.78	NO
7615X-011	.635/16.13	.045/1.14	.039/0.99 NOTE 7	.640/16.26	.625/15.88	.610/15.49	.750/19.05	NO
7615X-012	.655/16.64	.045/1.14	.039/0.99 NOTE 7	.660/16.76	.645/16.38	.630/16.00	.770/19.56	NO
7615X-013	.745/18.92	.045/1.14	.039/0.99 NOTE 7	.750/19.05	.735/18.67	.720/18.29	.860/21.84	NO
7615X-014	.265/6.73	.245/6.22	.039/0.99 NOTE 7	.270/6.86	.255/6.48	.240/6.10	.580/14.73	NO
7615X-015	.345/8.76	.245/6.22	.039/0.99 NOTE 7	.350/8.89	.335/8.51	.320/8.13	.660/16.76	NO
7615X-016	.400/10.16	.245/6.22	.039/0.99 NOTE 7	.405/10.29	.390/9.91	.375/9.53	.715/18.16	NO
7615X-017	.465/11.81	.245/6.22	.039/0.99 NOTE 7	.470/11.94	.455/11.56	.440/11.18	.780/19.81	NO
7615X-018	.570/14.48	.245/6.22	.039/0.99 NOTE 7	.575/14.61	.560/14.22	.545/13.84	.885/22.48	NO
7615X-019	.625/15.88	.245/6.22	.039/0.99 NOTE 7	.630/16.00	.615/15.62	.600/15.24	.940/23.88	NO
7615X-020	.655/16.64	.245/6.22	.039/0.99 NOTE 7	.660/16.76	.645/16.38	.630/16.00	.970/24.64	NO
7615X-021	.265/6.73	.355/9.02	.039/0.99 NOTE 7	.270/6.86	.255/6.48	.240/6.10	.690/17.53	NO
7615X-022	.345/8.76	.355/9.02	.039/0.99 NOTE 7	.350/8.89	.335/8.51	.320/8.13	.770/19.56	NO
7615X-023	.400/10.16	.355/9.02	.039/0.99 NOTE 7	.405/10.29	.390/9.91	.375/9.53	.825/20.96	NO
7615X-024	.465/11.81	.355/9.02	.039/0.99 NOTE 7	.470/11.94	.455/11.56	.440/11.18	.890/22.61	NO
7615X-025	.570/14.48	.355/9.02	.039/0.99 NOTE 7	.575/14.61	.560/14.22	.545/13.84	.995/25.27	NO
7615X-026	.625/15.88	.355/9.02	.039/0.99 NOTE 7	.630/16.00	.615/15.62	.600/15.24	1.050/26.67	NO
7615X-027	.655/16.64	.355/9.02	.039/0.99 NOTE 7	.660/16.76	.645/16.38	.630/16.00	1.080/27.43	NO

mat'l. code	SEE NOTE 1	surface ASME Y14.5 <input checked="" type="checkbox"/>	tolerance ASME Y14.5	projection	product family
lfr	ecrn no	dr	date	INCH/MM	PIN PRODUCTS
AA				scale 1:1	title
					BERGPIN® LOOSE PIECE
					.039"[0.99] DIA. STAR
					dwg no
					76151
					sheet 3 of 5
					size A4
					type
					CUSTOMER Drawing
sheet index	revision sheet				

form A4mmXc

1 |

2 |

3 |

4

PDM: Rev:AA

STATUS:Released

Printed: Sep 15, 2009

Copyright FCJ



FCJconnect.com

1 | 2

3 |

4

PRODUCT NO. NOTE 9	CONTACT AREA DIM "A"	TERMINATION AREA DIM "B"	DIM "C"	DIM "H" FOR .062 1.57 BOARD	DIM "H" FOR .093 2.36 BOARD	DIM "H" FOR .125 3.17 BOARD	OVERALL LENGTH DIM "L"	CUSTOMER RESTRICTED
7615X-028	.305/7.75	.035/0.89	.039/0.99 NOTE 7	.310/7.87	.295/7.49	.280/7.11	.410/10.41	NO
7615X-029	.755/19.18	.345/8.76	.039/0.99 NOTE 7	.760/19.30	.745/18.92	.730/18.54	1.170/29.72	NO
7615X-030	.710/18.03	.345/8.76	.039/0.99 NOTE 7	.715/18.16	.700/17.78	.685/17.40	1.125/28.58	NO
7615X-031	.545/13.84	.198/5.03	.039/0.99 NOTE 7	.550/13.97	.535/13.59	.520/13.21	.813/20.65	NO
7615X-032								
7615X-033	.335/8.51	.375/9.53	.039/0.99 NOTE 7	.340/8.64	.325/8.26	.310/7.87	.780/19.81	NO
7615X-034	.535/13.59	.045/1.14	.039/0.99 NOTE 7	.540/13.72	.525/13.34	.510/12.95	.650/16.51	NO
7615X-035	.560/14.22	.260/6.60	.039/0.99 NOTE 7	.565/14.35	.550/13.97	.535/13.59	.890/22.61	NO
7615X-036	.510/12.95	.381/9.68	.039/0.99 NOTE 7	.515/13.08	.500/12.70	.485/12.32	.961/24.41	NO
7615X-037	.325/8.26	.101/2.57	.039/0.99 NOTE 7	.330/8.38	.315/8.00	.300/7.62	.496/12.60	NO
7615X-038	.595/15.11	.330/8.38	.039/0.99 NOTE 7	.600/15.24	.585/14.86	.570/14.48	.995/25.27	NO
7615X-039	.755/19.18	.065/1.65	.039/0.99 NOTE 7	.760/19.30	.745/18.92	.730/18.54	.890/22.61	NO
7615X-040	.315/8.00	.395/10.03	.039/0.99 NOTE 7	.320/8.13	.305/7.75	.290/7.37	.780/19.81	NO
7615X-041	.230/5.84	.080/2.03	.039/0.99 NOTE 7	.235/5.97	.220/5.59	.205/5.21	.380/9.65	NO
7615X-042	.870/22.10	.045/1.14	.039/0.99 NOTE 7	.875/22.23	.860/21.84	.845/21.46	.985/25.02	NO
7615X-043	.504/12.80	.329/8.36	.039/0.99 NOTE 7	.509/12.80	.494/12.55	.479/12.17	.900/22.86	NO
7615X-044	.324/8.23	.056/1.42	.039/0.99 NOTE 7	.329/8.36	.314/7.98	.299/7.60	.450/11.43	NO
7615X-045	.499/12.68	.056/1.42	.039/0.99 NOTE 7	.504/12.80	.489/12.42	.474/12.04	.625/15.88	NO
7615X-046	.430/10.92	.535/13.59	.039/0.99 NOTE 7	.435/11.05	.420/10.67	.405/10.29	1.035/26.29	NO
7615X-047	.375/9.53	.070/1.78	.039/0.99 NOTE 7	.380/9.65	.365/9.27	.350/8.89	.515/13.08	NO
7615X-048	.375/9.53	.275/6.99	.039/0.99 NOTE 7	.380/9.65	.365/9.27	.350/8.89	.720/18.29	NO
7615X-049	.545/13.84	.070/1.78	.039/0.99 NOTE 7	.550/13.97	.535/13.59	.520/13.21	.685/17.40	NO
7615X-050	.313/7.95	.317/8.05	.039/0.99 NOTE 7	.318/8.08	.303/7.70	.288/7.32	.700/17.78	NO
7615X-051	.320/8.13	.045/1.14	.039/0.99 NOTE 7	.325/8.26	.310/7.87	.295/7.49	.435/11.05	NO
7615X-052	.620/15.75	.590/14.99	.039/0.99 NOTE 7	.625/15.88	.610/15.49	.595/15.11	1.280/35.51	NO
7615X-053	.245/6.22	.045/1.14	.039/0.99 NOTE 7	.250/6.35	.235/5.97	.220/5.59	.360/9.14	NO
7615X-054	.623/15.82	.270/6.86	.039/0.99 NOTE 7	.628/15.95	.613/15.57	.598/15.19	.963/24.46	NO

OBSOLETE

A

A

B

B

mat'l. code	SEE NOTE 1	surface ASME Y14.5	tolerance ASME Y14.5	projection	product family PIN PRODUCTS
l/r	ec'n no	dr	date	INCH/MM	title BERGPIN® LOOSE PIECE .039"[0.99] DIA. STAR
AA				scale 1:1	sheet 4 of 5 size A4
				FCJ	dwg no 76151
					type CUSTOMER Drawing
sheet index	revision sheet				

form A4mmXLC

1 |

2 |

3 |

4

Copyright FCI



FCIconnect.com

1 | 2

3 |

4

PRODUCT NO. NOTE 9	CONTACT AREA DIM "A"	TERMINATION AREA DIM "B"	DIM "C"		DIM "H"		OVERALL LENGTH DIM "L"	CUSTOMER RESTRICTED
					FOR DIM FOR	BOARD		
7615X-055	.684/17.37	.051/1.30	.039/0.99	NOTE 7	.689/17.50	.674/17.12	.800/20.32	NO
7615X-056	.295/7.49	.192/4.88	.039/0.99	NOTE 7	.300/7.62	.285/7.24	.552/14.02	NO
7615X-057	.785/19.94	.050/1.27	.039/0.99	NOTE 7	.790/20.07	.775/19.69	.900/22.86	NO
7615X-058	.747/18.97	.524/13.31	.039/0.99	NOTE 7	.752/19.10	.737/18.72	1.335/33.91	NO
7615X-059	.230/5.84	.135/3.43	.039/0.99	NOTE 7	.235/5.97	.220/5.59	.430/10.92	NO
7615X-060	.400/10.16	.440/11.18	.039/0.99	NOTE 7	.405/10.29	.390/9.91	.910/23.11	NO
7615X-061	.280/7.11	.192/4.88	.039/0.99	NOTE 7	.285/7.24	.270/6.86	.542/13.77	NO
7615X-062	.280/7.11	.085/2.16	.039/0.99	NOTE 7	.285/7.24	.270/6.86	.435/11.05	NO
7615X-063	.100/2.54	.050/1.27	.039/0.99	NOTE 7	.105/2.67	.090/2.29	.220/5.59	NO
7615X-064	.380/9.65	.650/16.51	.039/0.99	NOTE 7	.385/9.78	.370/9.40	1.100/27.94	NO
7615X-065	.610/15.49	.030/0.76	.038/0.97	NOTE 8	.615/15.62	.600/15.24	.710/18.03	YES
7615X-066	.822/20.88	.045/1.14	.039/0.99	NOTE 7	.827/21.01	.812/20.63	.937/23.80	NO
7615X-067	.945/24.00	.045/1.14	.039/0.99	NOTE 7	.945/24.00	.935/23.75	1.055/26.80	NO
7615X-068	.194/4.93	.042/1.07	.039/0.99	NOTE 7	.196/4.98	.181/4.60	.306/7.77	NO
7615X-069	.220/5.59	.220/5.59	.039/0.99	NOTE 7	.225/5.72	.210/5.33	.510/12.95	NO

mat'l. code		surface		tolerance		projection		product family	
SEE NOTE 1		ASME Y14.5 ✓		ASME Y14.5				PIN PRODUCTS	
ltr	ec'n no	dr	date	tolerances unless otherwise specified		INCH/MM		title	
AA				angles	XXX+01/XX+3			BERGPIN® LOOSE PIECE	
				0° ±2'	XXX+005/XX+13	scale 1:1		.039"[0.99] DIA. STAR	
				dr	M. FETROW 1994-05-16			dwg no	
				engr	L. FYE 1994-05-16			sheet 5 of 5	
				chr	L. FYE 1994-05-16			76151	
				appd	L. FYE 1994-05-19			A4	
sheet index	revision sheet							type CUSTOMER Drawing	

form A4mmXlc

1 |

2 |

3 |

4

PDM: Rev:AA

STATUS:Released

Printed: Sep 15, 2009