

Switch Language

English

Need Assistance?

- Contact Us
- Find a Distributor
- Order Samples
- Tech Library

Printer-friendly page

Email this page

[Home](#) [Datasheet](#)

**Part Number:** 0380090283

**Status:** Active - Custom

**Description:** STRIP MARKER 20 STD

**Documents:**

*Note - Please disable browser pop-up blockers for documents on www.molex.com*

[Drawing \(PDF\)](#)

**Order Products:**

[Check Distributor Inventory](#)  [Add to My Parts](#)

**Part Detail:** [\(show all\)](#)

**Material Info**

Product Family	Molex Parts
Series	<a href="#">38009</a>
<b>Material Info</b>	
Old Part Number	VF-18020-101



**EU RoHS**

**ELV and RoHS Compliant**

**China RoHS**



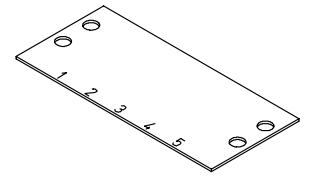
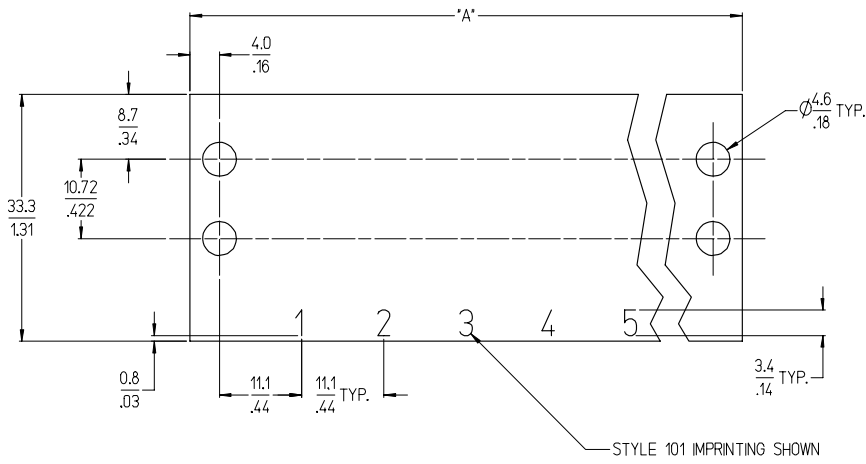
**Need more information on product compliance?**

Email [productcompliance@molex.com](mailto:productcompliance@molex.com)

Please visit the [Contact Us](#) section for any non-product compliance questions.

**Search Parts in this Series**

[38009](#) Series



STRIP FOR 5 CIRCUIT ASSEMBLY SHOWN AT FULL SCALE

NOTES:

1. MATERIAL: BLACK VULCANIZED FIBRE, .031" THICK
2. PART IS ROHS COMPLIANT.
3. IMPRINTING TEXT LOCATIONS AND HEIGHT ARE TYPICAL AS SHOWN.
4. STYLES 101 THROUGH 204, REFER TO SD-38120-008.
5. STYLE 000 IS UNMARKED.

INITIAL RELEASE EC NO: ETC2007-0021 DRAWN BY: C. YORK 2006/08/07 CHECKED BY: R. DEROSS 2006/08/07 APPROVED BY: R. DEROSS 2006/08/08	DESCRIPTION	QUALITY SYMBOLS	GENERAL TOLERANCES (UNLESS SPECIFIED)		DIMENSION STYLE		SCALE	DESIGN UNITS	THIRD ANGLE PROJECTION
		$\nabla=0$ $\sphericalangle=0$	mm	INCH	MM/IN	2:1	INCH		
REV A	DESCRIPTION	4 PLACES ± --- ± ---		DRAWN BY	DATE	TITLE STRIP, MARKER, DUAL ROW			
		3 PLACES ± --- ± .006		C. YORK	2006/07/25				
		2 PLACES ± 0.15 ± .02		CHECKED BY	DATE	MOLEX INCORPORATED			
		1 PLACE ± 0.5 ± ---		R. DEROSS	2006/07/25				
		ANGULAR ± 2 °		APPROVED BY	DATE	DOCUMENT NO. SD-38009-001			
		DRAFT WHERE APPLICABLE MUST REMAIN WITHIN DIMENSIONS		R. DEROSS	2006/07/25				
				MATERIAL NO.	SEE SHEET 2	STEEP NO. 1 OF 2			
				SIZE	B				
THIS DRAWING CONTAINS INFORMATION THAT IS PROPRIETARY TO MOLEX INCORPORATED AND SHOULD NOT BE USED WITHOUT WRITTEN PERMISSION									

10 9 8 7 6 5 4 3 2 38009

NO. OF CIRCUITS	DIM. "A"		MATERIAL NO. (STYLE 000)	MATERIAL NO. (IMPRINTED STYLE 101)	MATERIAL NO. (IMPRINTED STYLE 201)
	mm	in			
01	30.2	1.19	380090240	380090239	
02	41.3	1.63	380090616	380090241	380090304
03	52.4	2.06	380090244	380090242	
04	63.5	2.50	380090246	380090245	380090310
05	74.6	2.94	380090248	380090247	
06	85.7	3.38	380090251	380090249	380090314
07	96.8	3.81	380090253	380090252	
08	108.0	4.25	380090256	380090254	380090322
09	119.1	4.69	380090259	380090257	
10	130.2	5.13	380090261	380090260	380090332
11	141.3	5.56	380090264	380090262	
12	152.4	6.00	380090267	380090265	380090341
13	163.5	6.44	380090269	380090268	
14	174.6	6.88	380090271	380090270	380090344
15	185.7	7.31	380090274	380090272	
16	196.9	7.75	380090276	380090275	380090346
17	208.0	8.19	380090278	380090277	
18	219.1	8.63	380090281	380090279	
19	230.2	9.06	380090282	380090615	
20	241.3	9.50	380090285	380090283	
21	252.4	9.94	380090287	380090286	
22	263.5	10.38	380090289	380090288	
23	274.6	10.81	380090290		
24	285.8	11.25	380090293	380090291	
25	296.9	11.69	380090295	380090294	
26	308.0	12.13	380090297	380090296	
27	319.1	12.56	380090298		
28	330.2	13.00	380090300	380090299	
29	341.3	13.44	380090301		
30	352.4	13.88	380090303	380090302	

SEE SHEET 1 EC NO: ETC2007-0021 DRAWN BY: C. YORK CHECKED BY: R. DEROSS APPROVED BY: R. DEROSS DATE: 2006/08/07 DATE: 2006/08/07 DATE: 2006/08/08	QUALITY SYMBOLS ▽=0 ▽=0	GENERAL TOLERANCES (UNLESS SPECIFIED)		DIMENSION STYLE MM/IN	SCALE ---	DESIGN UNITS INCH	THIRD ANGLE PROJECTION	
		4 PLACES ± --- ± ---	3 PLACES ± --- ± .006	DRAWN BY C. YORK	DATE 2006/07/25	TITLE STRIP, MARKER, DUAL ROW		
		2 PLACES ± 0.15 ± .02	1 PLACE ± 0.5 ± ---	CHECKED BY R. DEROSS	DATE 2006/07/25	MOLEX INCORPORATED		
		ANGULAR ± 2 °		APPROVED BY R. DEROSS	DATE 2006/07/25	MATERIAL NO. SEE CHART	DOCUMENT NO. SD-38009-001	STEEL NO. 2 OF 2
DRAFT WHERE APPLICABLE MUST REMAIN WITHIN DIMENSIONS		THIS DRAWING CONTAINS INFORMATION THAT IS PROPRIETARY TO MOLEX INCORPORATED AND SHOULD NOT BE USED WITHOUT WRITTEN PERMISSION						

9 8 7 6 5 4 3 2 1

