


# AB/NS

Order No.: 1201141




<http://eshop.phoenixcontact.de/phoenix/treeViewClick.do?UID=1201141>

Support, for insulated mounting of DIN rails in insulated systems, plastic, 21 mm high

Commercial data	
GTIN (EAN)	 4 017918 017248
sales group	B223
Pack	10 pcs.
Customs tariff	39269097
Catalog page information	Page 349 (CL2-2011)

**Product notes**

WEEE/RoHS-compliant since: 11/08/2005



<http://www.download.phoenixcontact.com>  
 Please note that the data given here has been taken from the online catalog. For comprehensive information and data, please refer to the user documentation. The General Terms and Conditions of Use apply to Internet downloads.

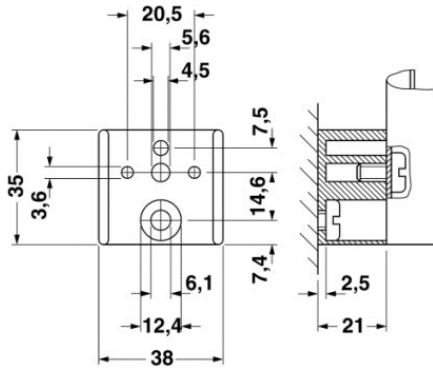
Technical data	
General	
Length (b)	35 mm
Height	21 mm
Width (a)	38 mm
Color	gray
Inflammability class acc. to UL 94	V2

Material

PA

**Diagrams/Drawings**

Dimensioned drawing



**Address**

PHOENIX CONTACT Inc., USA  
586 Fulling Mill Road  
Middletown, PA 17057, USA  
Phone (800) 888-7388  
Fax (717) 944-1625  
<http://www.phoenixcon.com>



© 2011 Phoenix Contact  
Technical modifications reserved;