

DFLK 34



Order No.: 2280268

The illustration shows a 50-pos. version



<http://eshop.phoenixcontact.de/phoenix/treeViewClick.do?UID=2280268>

VARIOFACE panel feed-through module, for direct coupling of single signal lines of up to 2.5 mm² to flat-ribbon cable plug connector, 34-pos.

Commercial data		Product notes
GTIN (EAN)		WEEE/RoHS-compliant since: 05/08/2007
sales group	I001	
Pack	5 pcs.	
Customs tariff	85369010	
Catalog page information	Page 305 (IF-2011)	
		<p>http://www.download.phoenixcontact.com Please note that the data given here has been taken from the online catalog. For comprehensive information and data, please refer to the user documentation. The General Terms and Conditions of Use apply to Internet downloads.</p>

Technical data	
General data	
Nominal voltage U _N	< 50 V AC
	60 V DC
Max. current carrying capacity per branch	1 A
Number of positions	34

Width	39 mm
Height	103.4 mm
Depth	49 mm
Status display	No
Ambient temperature (operation)	-20 °C ... 45 °C
Ambient temperature (storage/transport)	-20 °C ... 70 °C
Test voltage	500 V (50 Hz, 1 min.)
Mounting position	Any
Standards/regulations	IEC 60664
	DIN EN 50178
	IEC 62103

Connection data

Connection 1	PCB connection
Connection in acc. with standard	IEC / EN
Connection method	Screw connection
Conductor cross section solid min.	0.2 mm ²
Conductor cross section solid max.	4 mm ²
Conductor cross section stranded min.	0.2 mm ²
Conductor cross section stranded max.	2.5 mm ²
Conductor cross section AWG/kcmil min.	24
Conductor cross section AWG/kcmil max	12
Stripping length	8 mm
Screw thread	M3
Connection 2	Flat-ribbon cable connector in acc. with IEC 60603-13
Connection method	Pluggable
Number of positions	34

Certificates / Approvals

Certification

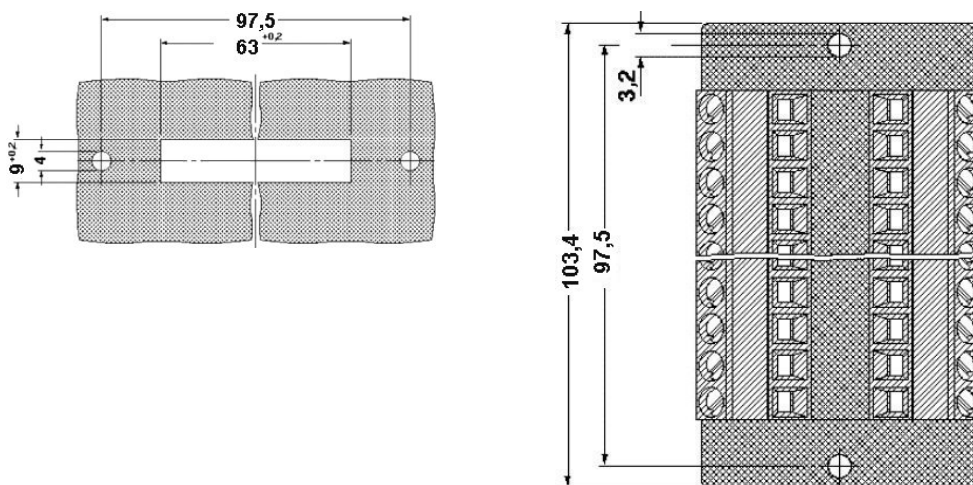
GOST

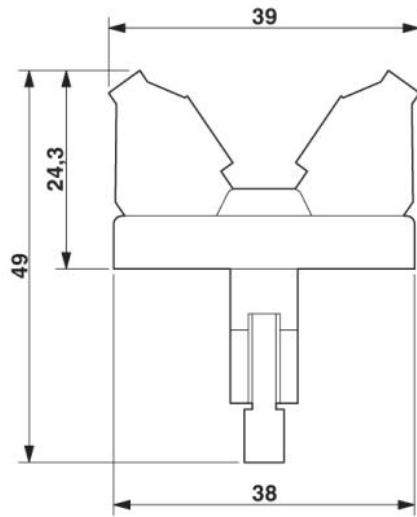
Accessories

Item	Designation	Description
Cable/conductor		
2299479	FLK 34/EZ-DR/ 50/KONFEK	Round cable set, with two 34-pos. socket strips (1:1 connection), cable length: 0.5 m
2299482	FLK 34/EZ-DR/ 100/KONFEK	Round cable set, with two 34-pos. socket strips (1:1 connection), cable length: 1 m
2299495	FLK 34/EZ-DR/ 150/KONFEK	Round cable set, with two 34-pos. socket strips (1:1 connection), cable length: 1.5 m
2299505	FLK 34/EZ-DR/ 200/KONFEK	Round cable set, with two 34-pos. socket strips (1:1 connection), cable length: 2 m
2299518	FLK 34/EZ-DR/ 300/KONFEK	Round cable set, with two 34-pos. socket strips (1:1 connection), cable length: 3 m
2299521	FLK 34/EZ-DR/ 400/KONFEK	Round cable set, with two 34-pos. socket strips (1:1 connection), cable length: 4 m
2299534	FLK 34/EZ-DR/ 600/KONFEK	Round cable set, with two 34-pos. socket strips (1:1 connection), cable length: 6 m
2299547	FLK 34/EZ-DR/ 800/KONFEK	Round cable set, with two 34-pos. socket strips (1:1 connection), cable length: 8 m
2299550	FLK 34/EZ-DR/1000/KONFEK	Round cable set, with two 34-pos. socket strips (1:1 connection), cable length: 10 m
2295059	FLK EZ-DR.../.../...	Round cable, with preassembly, not shielded, variable cable length

Diagrams/Drawings

Dimensioned drawing





Address

PHOENIX CONTACT Inc., USA
586 Fulling Mill Road
Middletown, PA 17057, USA
Phone (800) 888-7388
Fax (717) 944-1625
<http://www.phoenixcon.com>



© 2011 Phoenix Contact
Technical modifications reserved;