


# NLC-OP1-MKT

Order No.: 2701140



<http://eshop.phoenixcontact.de/phoenix/treeViewClick.do?UID=2701140>

## Mounting kit

Commercial data	
GTIN (EAN)	 4 046356 325271
sales group	K259
Pack	1 pcs.
Customs tariff	85366990
Catalog page information	Page 15 (AX-2011)

### Product notes

WEEE/RoHS-compliant since:  
04/18/2008



<http://www.download.phoenixcontact.com>  
Please note that the data given here has been taken from the online catalog. For comprehensive information and data, please refer to the user documentation. The General Terms and Conditions of Use apply to Internet downloads.

## Product description

Mounting kit for Nanoline Operator Panel. Includes receptor housing installed in base unit, mounting brackets for installation in cabinet and cable to connect base unit.

## Technical data

### Supply

Max. current consumption	50 mA
Typical current consumption	32 mA

### General data

Width	76 mm
Height	31.5 mm
Depth	46 mm
Mounting type	Control cabinet door mounting
Ambient temperature (operation)	0 °C ... 50 °C
Ambient temperature (storage/transport)	0 °C ... 60 °C

### Accessories

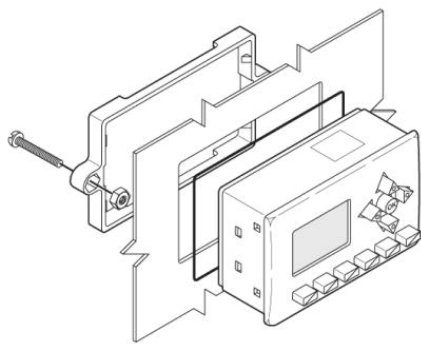
Item	Designation	Description
<b>General</b>		
2701276	NLC-OP1-COVER	Replacement cover for base unit

### Article Sets

Item	Designation	Description
<b>Allgemein</b>		
2701250	NLC-OP1-MKT-BASE	Panel to mount in base unit, RJ-45 connector for remote Operator Panel
2701263	NLC-OP1-MKT-BRACKET	Mounting bracket for remote installation of Operator Panel

### Diagrams/Drawings

Schematic diagram



**Address**

PHOENIX CONTACT Inc., USA  
586 Fulling Mill Road  
Middletown, PA 17057, USA  
Phone (800) 888-7388  
Fax (717) 944-1625  
<http://www.phoenixcon.com>



© 2011 Phoenix Contact  
Technical modifications reserved;