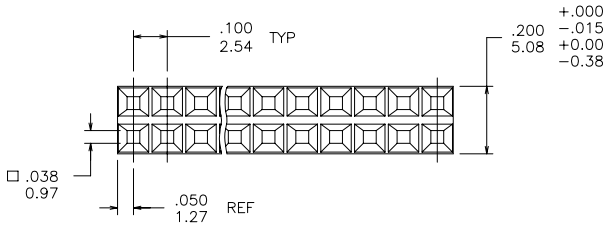
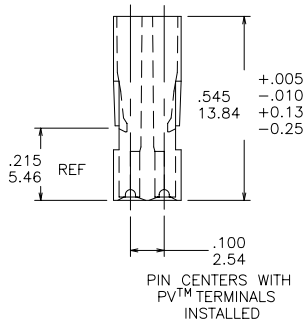
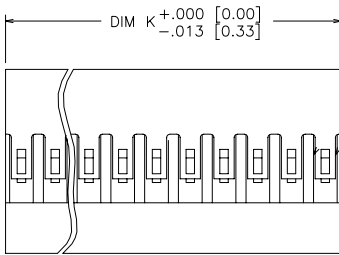


PRODUCT NUMBER  
SEE TABLE



NOTES

- ① MOLDING MAT'L: MODIFIED POLYPHENYLENE ETHER. COLOR: BLACK, MEETING UL 94V-0.
2. PIN LENGTH TO BE .210/5.33 MIN. RECOMMENDED PIN LENGTH IS .225±.015/5.72±0.38.
3. FOR TERMINAL APPLICATION SEE TA-531.
4. TERMINALS MUST BE CRIMPED PROPERLY FOR SATISFACTORY LATCHING. SEE TA-75 FOR CRIMPING INSTRUCTIONS. PRODUCT SPECIFICATION: BUS-12-067
5. THIS HOUSING IS INTENDED FOR USE WITH MINI PV™ TERMINAL WITH 22-36 GAUGE WIRE.
- ⑥ ALL MARKINGS EXCEPT LOGO USE 6 POINT TYPE (APPROX .06/1.52 HIGH) AND WHITE INK (MARKEM #8829 OR EQUIV.) WHEN MARKING CAVITIES. NUMERALS OR LETTERS ARE TO BE CENTERED ON RESPECTIVE CAVITIES, UNLESS OTHERWISE NOTED.
- ⑦ LOGO TO BE POSITIONED IN THIS AREA SO THAT IT IS READ FROM THE SAME EDGE OF THE CONNECTOR AS THE OTHER MARKINGS.
- ⑧ ALL MARKINGS FOR MILITARY PART NUMBERS ARE TO BE PER MIL-STD-1285 SEE TABULATION.
- ⑨ PLACE DESC P/N AND CAGE NO. ON PACKAGING LABEL. PRODUCT LENGTH IS TOO SMALL TO MARK PRINT.
10. PRODUCT MEETS EUROPEAN UNION DIRECTIVES AND OTHER COUNTRY REGULATIONS AS DESCRIBED IN GS-22-008.
11. THE PRODUCT IS NOT INTENDED TO BE EXPOSED TO MANUFACTURING SOLDER PROCESS.
- ⑫ EUROPEAN CUSTOMERS SHOULD ORDER PART NUMBERS WITH AN 'E' SUFFIX AS SHOWN IN TABLE TO CONTINUE TO BE SUPPLIED BY THE EUROPEAN PLANT. SEE DRAWING 65043EUR.

| mat'l code |          | surface      |            | tolerance                             |                   | projection  |    | product family                     |    |
|------------|----------|--------------|------------|---------------------------------------|-------------------|-------------|----|------------------------------------|----|
| SEE NOTE 1 |          | ASME Y14.5 ✓ |            | ASME Y14.5                            |                   | INCH/MM     |    | PV HOUSINGS                        |    |
| lfr        | ec'n no  | dr           | date       | tolerances unless otherwise specified |                   | INCH/MM     |    | title                              |    |
| BF         | v07-0483 | HTB          | 2007-07-24 | angles                                | XXX+01/XX-3       |             |    | MINI LATCH HOUSING                 |    |
| BG         | v08-0022 | HTB          | 2008-01-15 | flatness                              | XXX+005/XXX+13    | scale 2.5:1 |    | DOUBLE ROW .100 [2.54] CC          |    |
| -          | -        | -            | -          | 0°±2'                                 | XXXX+0020/XXX+051 |             |    | dwg no 65043 sheet 1 of 11 size A4 |    |
| BB         | v05-0712 | DAI          | 2005-07-27 | dr                                    | M. CLOUSER        | FCJ         |    | type Product Customer Drawing      |    |
| BC         | v06-0407 | HTB          | 2006-04-27 | engr                                  | C. TREXLER        |             |    |                                    |    |
| BD         | v06-0549 | HTB          | 2006-06-12 | chr                                   | C. TREXLER        |             |    |                                    |    |
| BE         | v06-0886 | HTB          | 2006-08-31 | appd                                  | C. TREXLER        |             |    |                                    |    |
| sheet      | revision | BG           | BG         | BG                                    | BG                | BG          | BG | BG                                 | BG |
| index      | sheet    | 1            | 2          | 3                                     | 4                 | 5           | 6  | 7                                  | 8  |

|                                                                              |                                                                            |                                                                                                                                                                          |                                                    |
|------------------------------------------------------------------------------|----------------------------------------------------------------------------|--------------------------------------------------------------------------------------------------------------------------------------------------------------------------|----------------------------------------------------|
| <p>PRODUCT NUMBER<br/>SEE TABLE</p>                                          | <p>MARK POSITION NUMBERS AS SHOWN TO LENGTH OF PART.</p>                   | <p>MARK TOP, CO. LOGO, CUST P/N REV LEVEL, DATE OF MFG, SECOND &amp; NEXT TO LAST POS ON BOTH SIDES IN WHITE AS SHOWN.</p>                                               |                                                    |
| <p>MARK POSITION ONE AND CUST. NAME AS SHOWN.</p> <p>STYLE A</p>             | <p>SECOND POSITION</p> <p>STYLE D</p>                                      | <p>COMPANY PART NO. NOTE 7</p> <p>STYLE G</p>                                                                                                                            | <p>MARK CAVITIES AS SHOWN.</p> <p>STYLE K</p>      |
| <p>MARK LOGO AND POSITIONS AS SHOWN</p> <p>NOTE 7</p> <p>STYLE B</p>         | <p>MARK POSITIONS AS SHOWN.</p> <p>STYLE E</p>                             | <p>MARK CUST P/N &amp; FIRST &amp; LAST POS (1 SIDE ONLY) AS SHOWN</p> <p>STYLE H</p>                                                                                    | <p>MARK SECOND CAVITY AS SHOWN.</p> <p>STYLE L</p> |
| <p>MARK ARROW IN WHITE AS SHOWN ON SURFACE OPPOSITE GATE.</p> <p>STYLE C</p> | <p>MARK CUSTOMERS P/N AND REVISION LEVEL IN AREA SHOWN.</p> <p>STYLE F</p> | <p>MARK TOP, CO. LOGO, CUST P/N REV LEVEL, DATE OF MFG, SECOND &amp; NEXT TO LAST POS ON BOTH SIDES IN WHITE AS SHOWN.</p> <p>COMPANY PART NO. NOTE 7</p> <p>STYLE J</p> |                                                    |

|             |            |         |              |                                       |                   |            |                |                           |
|-------------|------------|---------|--------------|---------------------------------------|-------------------|------------|----------------|---------------------------|
| mat'l. code | SEE NOTE 1 | surface | ASME Y14.5 ✓ | tolerance                             | ASME Y14.5        | projection | product family | PV HOUSINGS               |
| l/r         | ecn no     | dr      | date         | tolerances unless otherwise specified | XX+01/XX+3        | INCH/MM    | title          | MINI LATCH HOUSING        |
| BG          |            |         |              | angles                                | XXX+005/XXX+13    | scale 1:1  |                | DOUBLE ROW .100 [2.54] CC |
|             |            |         |              | 0°±2'                                 | XXXX+0020/XXX+051 |            |                |                           |
|             |            | dr      | M. CLOUSER   | 1990-01-31                            |                   |            |                |                           |
|             |            | engr    | C. TREXLER   | 1990-01-31                            |                   |            |                |                           |
|             |            | chr     | C. TREXLER   | 1990-01-31                            |                   |            |                |                           |
|             |            | appd    | C. TREXLER   | 1990-01-31                            |                   |            |                |                           |
| sheet       | revision   |         |              |                                       |                   |            |                |                           |
| index       | sheet      |         |              |                                       |                   |            |                |                           |

|                                                                                                                                                                                                          |                                                                                                |                                                                                   |                                                                 |
|----------------------------------------------------------------------------------------------------------------------------------------------------------------------------------------------------------|------------------------------------------------------------------------------------------------|-----------------------------------------------------------------------------------|-----------------------------------------------------------------|
| <p>PRODUCT NUMBER<br/>SEE TABLE</p>                                                                                                                                                                      | <p>MARK CHARACTERS AS SHOWN IN WHITE.(ONE SIDE ONLY)</p> <p>STYLE Q</p>                        | <p>MARK CHARACTERS ONE SIDE ONLY.</p> <p>STYLE U</p>                              |                                                                 |
| <p>MARK CO. LOGO, CUST P/N AND FIRST &amp; LAST POS PLUS EVERY FOURTH POS IN WHITE AS SHOWN (ONE SIDE ONLY)</p> <p>NOTE: HOUSING WITH 16 POS OR LESS WILL NOT HAVE CO. LOGO INCLUDED.</p> <p>STYLE M</p> | <p>CO. LOGO AND P/N MARKED AS SHOWN. NO CO. P/N ON HOUSING LESS THAN 2 X 8.</p> <p>STYLE R</p> | <p>NUMBER EVERY OTHER POSITION AND SIDE A AND B AS SHOWN.</p> <p>STYLE V</p>      | <p>MARK POSITION IDENTIFICATION AS SHOWN.</p> <p>STYLE Y</p>    |
| <p>MARK CAV IDENTIFICATION APPROX AS SHOWN.(ONE SIDE ONLY)</p> <p>STYLE N</p>                                                                                                                            | <p>MARK CHARACTERS IN WHITE AS SHOWN.</p> <p>STYLE S</p>                                       | <p>MARK POS 1 &amp; 26 CO. LOGO &amp; P/N AS SHOWN SEE NOTE 6.</p> <p>STYLE W</p> | <p>MARK POSITIONS 1, 2 AND 3 ONLY SEE NOTE 6</p> <p>STYLE Z</p> |
| <p>MARK CAVITY AS SHOWN WITH ARROW.</p> <p>STYLE O</p>                                                                                                                                                   | <p>MARK CHARACTERS IN WHITE AS SHOWN.</p> <p>STYLE T</p>                                       |                                                                                   |                                                                 |
| <p>MARK CHARACTERS AS SHOWN IN WHITE.(ONE SIDE ONLY)</p> <p>SECOND POSITION</p> <p>STYLE P</p>                                                                                                           |                                                                                                |                                                                                   |                                                                 |

|             |                |                                       |            |            |                               |
|-------------|----------------|---------------------------------------|------------|------------|-------------------------------|
| mat'l code  | SEE NOTE 1     | surface                               | tolerance  | projection | product family                |
| ltr         | ecrn no        | ASME Y14.5                            | ASME Y14.5 |            | PV HOUSINGS                   |
| BG          | dr             | tolerances unless otherwise specified |            | INCH/MM    | title                         |
|             | date           | angles                                |            | scale 1:1  | MINI LATCH HOUSING            |
|             |                | 0°±2'                                 |            |            | DOUBLE ROW .100 [2.54] CC     |
|             |                | dr M. CLOUSER 1990-01-31              |            |            | dwg no 65043                  |
|             |                | engr C. TREXLER 1990-01-31            |            |            | sheet 3 of 11 size A4         |
|             |                | chr C. TREXLER 1990-01-31             |            |            | type Product Customer Drawing |
|             |                | appd C. TREXLER 1990-01-31            |            |            |                               |
| sheet index | revision sheet |                                       |            |            |                               |

|                                                                                                                  |                                                                                                                                                        |                                                                                                         |                                                                                                                             |
|------------------------------------------------------------------------------------------------------------------|--------------------------------------------------------------------------------------------------------------------------------------------------------|---------------------------------------------------------------------------------------------------------|-----------------------------------------------------------------------------------------------------------------------------|
| <p>PRODUCT NUMBER<br/>SEE TABLE</p> <p>NUMBER TO BE LOCATED IN CENTER OF RESPECTIVE POSITION</p> <p>STYLE AA</p> | <p>MARK FIRST AND LAST POSITION WITH APPROPRIATE NO. ALL EVEN # POSITIONS ON SAME SIDE OF HOUSING</p> <p>STYLE AD</p>                                  | <p>NUMBER EVERY OTHER POSITION AND SIDE A AND B AS SHOWN. MARK CHARACTERS IN WHITE.</p> <p>STYLE AG</p> | <p>MARK "THIS SIDE UP" AND POSITION NUMBERS 13 &amp; 24 AS SHOWN IN .060/1.52 HIGH CHARACTERS.</p> <p>STYLE AK</p>          |
| <p>MARK ENTIRE SURFACE WHITE</p> <p>STYLE AB</p>                                                                 | <p>MARK FIRST AND LAST POSITION WITH APPROPRIATE NO. BOTH SIDES ALL EVEN # POSITIONS ON SAME SIDE OF HOUSING</p> <p>STYLE AE</p>                       | <p>MARK NUMBERS IN WHITE.</p> <p>STYLE AH</p>                                                           | <p>MARK FIRST AND LAST POSITION WITH APPROPRIATE NO. ON ONE SIDE. ALSO PRINT "THIS SIDE UP-1" AS SHOWN.</p> <p>STYLE AL</p> |
| <p>IDENTIFY POSITIONS 1, 6, 13 WITH WHITE CHARACTERS LOCATED AS SHOWN.</p> <p>STYLE AC</p>                       | <p>MARK HOUSING (ONE SIDE ONLY) EVERY SECOND POSITION WITH APPROPRIATE NO. ODD NUMBERS TO LENGTH OF PART DO NOT MARK END POSITIONS</p> <p>STYLE AF</p> | <p>MARK FIRST AND LAST POSITION BOTH SIDES AS SHOWN. TO LENGTH OF PART.</p> <p>STYLE AJ</p>             |                                                                                                                             |

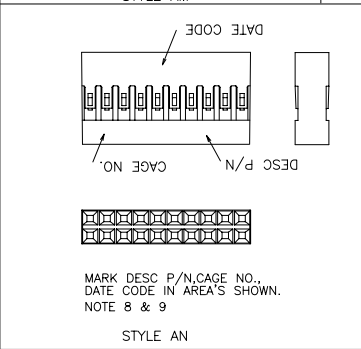
|             |                |         |              |                                       |                   |            |                           |
|-------------|----------------|---------|--------------|---------------------------------------|-------------------|------------|---------------------------|
| mat'l. code | SEE NOTE 1     | surface | ASME Y14.5 ✓ | tolerance                             | ASME Y14.5        | projection | product family            |
| ltr         | ec'n no        | dr      | date         | tolerances unless otherwise specified | INCH/MM           | scale      | PV HOUSINGS               |
| BG          |                |         |              | angles                                | XXX+01/XX+3       | 1:1        | title                     |
|             |                |         |              | 0°±2'                                 | XXX+005/XX+13     |            | MINI LATCH HOUSING        |
|             |                |         |              | dr                                    | XXXX+0020/XXX+051 |            | DOUBLE ROW .100 [2.54] CC |
|             |                |         |              | engr                                  |                   |            | dwg no                    |
|             |                |         |              | chr                                   |                   |            | 65043                     |
|             |                |         |              | appd                                  |                   |            | sheet 4 of 11 size        |
| sheet index | revision sheet |         |              |                                       |                   |            | A4                        |
|             |                |         |              |                                       |                   |            | type                      |
|             |                |         |              |                                       |                   |            | Product Customer Drawing  |

PRODUCT NUMBER  
SEE TABLE

MARK FIRST AND LAST POSITION WITH APPROPRIATE NO. ON ONE SIDE. ALSO, PRINT THIS SIDE UP-2" AS SHOWN.

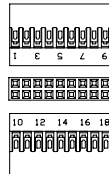


STYLE AM



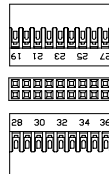
STYLE AN

MARK NUMBERS IN WHITE



STYLE AP

MARK NUMBERS IN WHITE



STYLE AR

|             |                |         |                       |                                                                      |                                                 |
|-------------|----------------|---------|-----------------------|----------------------------------------------------------------------|-------------------------------------------------|
| mat'l. code | SEE NOTE 1     | surface | tolerance             | projection                                                           | product family                                  |
| ltr         | ecrn no        | dr      | date                  | ASME Y14.5 ✓<br>ASME Y14.5                                           | PV HOUSINGS                                     |
| BG          |                |         |                       | tolerances unless otherwise specified                                | title                                           |
|             |                |         |                       | angles<br>XXX+01/XX+3<br>XXX+005/XX+13<br>0°±2'<br>XXXX+0020/XXX+051 | MINI LATCH HOUSING<br>DOUBLE ROW .100 [2.54] CC |
|             |                |         |                       | INCH/MM<br>scale 1:1                                                 | dwg no 65043 sheet 5 of 11 size A4              |
|             |                | dr      | M. CLOUSER 1990-01-31 | FCJ                                                                  | type Product Customer Drawing                   |
|             |                | engr    | C. TREXLER 1990-01-31 |                                                                      |                                                 |
|             |                | chr     | C. TREXLER 1990-01-31 |                                                                      |                                                 |
|             |                | appd    | C. TREXLER 1990-01-31 |                                                                      |                                                 |
| sheet index | revision sheet |         |                       |                                                                      |                                                 |



| PRODUCT NO. | NO OF POS | DIM K       | EUROPEAN VERSION-NOTE 12 |
|-------------|-----------|-------------|--------------------------|
| 65043-001LF | 2 X 36    | 3.600/91.44 | 65043-001ELF             |
| 65043-002LF | 2 X 35    | 3.500/88.90 | 65043-002ELF             |
| 65043-003LF | 2 X 34    | 3.400/86.36 | 65043-003ELF             |
| 65043-004LF | 2 X 33    | 3.300/83.82 | 65043-004ELF             |
| 65043-005LF | 2 X 32    | 3.200/81.28 | 65043-005ELF             |
| 65043-006LF | 2 X 31    | 3.100/78.74 | 65043-006ELF             |
| 65043-007LF | 2 X 30    | 3.000/76.20 | 65043-007ELF             |
| 65043-008LF | 2 X 29    | 2.900/73.66 | 65043-008ELF             |
| 65043-009LF | 2 X 28    | 2.800/71.12 | 65043-009ELF             |
| 65043-010LF | 2 X 27    | 2.700/68.58 | 65043-010ELF             |
| 65043-011LF | 2 X 26    | 2.600/66.04 | 65043-011ELF             |
| 65043-012LF | 2 X 25    | 2.500/63.50 | 65043-012ELF             |
| 65043-013LF | 2 X 24    | 2.400/60.96 | 65043-013ELF             |
| 65043-014LF | 2 X 23    | 2.300/58.24 | 65043-014ELF             |
| 65043-015LF | 2 X 22    | 2.200/55.88 | 65043-015ELF             |
| 65043-016LF | 2 X 21    | 2.100/53.34 | 65043-016ELF             |
| 65043-017LF | 2 X 20    | 2.000/50.80 | 65043-017ELF             |
| 65043-018LF | 2 X 19    | 1.900/48.26 | 65043-018ELF             |
| 65043-019LF | 2 X 18    | 1.800/45.72 | 65043-019ELF             |
| 65043-020LF | 2 X 17    | 1.700/43.18 | 65043-020ELF             |
| 65043-021LF | 2 X 16    | 1.600/40.64 | 65043-021ELF             |
| 65043-022LF | 2 X 15    | 1.500/38.10 | 65043-022ELF             |
| 65043-023LF | 2 X 14    | 1.400/35.56 | 65043-023ELF             |
| 65043-024LF | 2 X 13    | 1.300/33.02 | 65043-024ELF             |
| 65043-025LF | 2 X 12    | 1.200/30.48 | 65043-025ELF             |
| 65043-026LF | 2 X 11    | 1.100/27.94 | 65043-026ELF             |
| 65043-027LF | 2 X 10    | 1.000/25.40 | 65043-027ELF             |
| 65043-028LF | 2 X 9     | .900/22.86  | 65043-028ELF             |
| 65043-029LF | 2 X 8     | .800/20.32  | 65043-029ELF             |
| 65043-030LF | 2 X 7     | .700/17.78  | 65043-030ELF             |
| 65043-031LF | 2 X 6     | .600/15.24  | 65043-031ELF             |
| 65043-032LF | 2 X 5     | .500/12.70  | 65043-032ELF             |
| 65043-033LF | 2 X 4     | .400/10.16  | 65043-033ELF             |
| 65043-034LF | 2 X 3     | .300/7.62   | 65043-034ELF             |
| 65043-035LF | 2 X 2     | .200/5.08   | 65043-035ELF             |

|             |                |         |           |                                       |                           |
|-------------|----------------|---------|-----------|---------------------------------------|---------------------------|
| mat'l. code | SEE NOTE 1     | surface | tolerance | projection                            | product family            |
| tr          | ecrn no        | dr      | date      | ASME Y14.5 ✓<br>ASME Y14.5            | PV HOUSINGS               |
| bc          |                |         |           | tolerances unless otherwise specified | title                     |
|             |                |         |           | angles                                | MINI LATCH HOUSING        |
|             |                |         |           | 0°±2'                                 | DOUBLE ROW .100 [2.54] CC |
|             |                |         |           | dr                                    | dwg no                    |
|             |                |         |           | engr                                  | sheet 6 of 11             |
|             |                |         |           | chr                                   | size                      |
|             |                |         |           | appd                                  | A4                        |
| sheet index | revision sheet |         |           |                                       | type                      |
|             |                |         |           |                                       | Product Customer Drawing  |



| MILITARY PRODUCT NO. | MADE FROM | MARKING STYLE | DESC P/N | CAGE NO. |            |
|----------------------|-----------|---------------|----------|----------|------------|
| 65043-001-MIL        | 65043-001 | AN            | 86038-72 | 22526    | OBSOLETE   |
| -002                 | -002      |               | 70       |          | OBSOLETE   |
| -003                 | -003      |               | 68       |          | OBSOLETE   |
| -004                 | -004      |               | 66       |          | OBSOLETE   |
| -005                 | -005      |               | 64       |          | OBSOLETE   |
| -006                 | -006      |               | 62       |          | OBSOLETE   |
| -007                 | -007      |               | 60       |          | OBSOLETE   |
| -008                 | -008      |               | 58       |          | OBSOLETE   |
| -009                 | -009      |               | 56       |          | OBSOLETE   |
| -010                 | -010      |               | 54       |          | OBSOLETE   |
| -011                 | -011      |               | 52       |          | OBSOLETE   |
| -012                 | -012      |               | 50       |          | OBSOLETE   |
| -013                 | -013      |               | 48       |          | OBSOLETE   |
| -014                 | -014      |               | 46       |          | OBSOLETE   |
| -015                 | -015      |               | 44       |          | OBSOLETE   |
| -016                 | -016      |               | 42       |          | OBSOLETE   |
| -017                 | -017      |               | 40       |          | OBSOLETE   |
| -018                 | -018      |               | 38       |          | OBSOLETE   |
| -019                 | -019      |               | 36       |          | OBSOLETE   |
| -020                 | -020      |               | 34       |          | OBSOLETE   |
| -021                 | -021      |               | 32       |          | OBSOLETE   |
| -022                 | -022      |               | 30       |          | OBSOLETE   |
| -023                 | -023      |               | 28       |          | OBSOLETE   |
| -024                 | -024      |               | 26       |          | OBSOLETE   |
| -025                 | -025      |               | 24       |          | OBSOLETE   |
| -026                 | -026      |               | 22       |          | OBSOLETE   |
| -027                 | -027      |               | 20       |          | OBSOLETE   |
| -028                 | -028      |               | 18       |          | OBSOLETE   |
| -029                 | -029      |               | 16       |          | OBSOLETE   |
| -030                 | -030      |               | 14       |          | OBSOLETE   |
| -031                 | -031      |               | 12       |          | OBSOLETE   |
| -032                 | -032      |               | 10       |          | OBSOLETE   |
| -033                 | -033      |               | 08       |          | OBSOLETE   |
| -034                 | -034      |               | 06       |          | OBSOLETE   |
| 65043-035-MIL        | 65043-035 | AN            | 86038-04 | 22526    | SEE NOTE 9 |

|             |                |         |           |                                       |                               |
|-------------|----------------|---------|-----------|---------------------------------------|-------------------------------|
| mat'l. code | SEE NOTE 1     | surface | tolerance | projection                            | product family                |
| ltr         | ecn no         | dr      | date      | ASME Y14.5 ✓<br>ASME Y14.5            | PV HOUSINGS                   |
| bg          |                |         |           | tolerances unless otherwise specified | title                         |
|             |                |         |           | angles                                | MINI LATCH HOUSING            |
|             |                |         |           | 0°±2'                                 | DOUBLE ROW .100 [2.54] CC     |
|             |                |         |           | dr M. CLOUSER 1990-01-31              | dwg no 65043                  |
|             |                |         |           | engr C. TREXLER 1990-01-31            | sheet 7 of 11 size A4         |
|             |                |         |           | chr C. TREXLER 1990-01-31             | type Product Customer Drawing |
|             |                |         |           | appd C. TREXLER 1990-01-31            |                               |
| sheet index | revision sheet |         |           |                                       |                               |



| PRODUCT NO. | NO OF POS | DIM K       | MARKINGS STYLE | CUSTOMER RESTRICTED |
|-------------|-----------|-------------|----------------|---------------------|
| 65043-037LF | 2 X 13    | 1.300/33.02 | A              | *                   |
| 65043-038LF | 2 X 22    | 2.200/55.88 | B              |                     |
| 65043-039LF | 2 X 12    | 1.200/30.48 | C              |                     |
| 65043-040LF | 2 X 16    | 1.600/40.64 | C              |                     |
| 65043-041LF | 2 X 20    | 2.000/50.80 | C              |                     |
| 65043-042LF | 2 X 24    | 2.400/60.96 | C              |                     |
| 65043-043LF | 2 X 4     | .400/10.16  | C              |                     |
| 65043-044LF | 2 X 8     | .800/20.32  | C              |                     |
| 65043-045LF | 2 X 30    | 3.000/76.20 | D              |                     |
| 65043-046LF | 2 X 10    | 1.000/25.40 | E              |                     |
| 65043-047LF | 2 X 13    | 1.300/33.02 | E              |                     |
| 65043-048LF | 2 X 20    | 2.000/50.80 | F              | *                   |
| 65043-049LF | 2 X 10    | 1.000/25.40 | F              | *                   |
| 65043-050LF | 2 X 15    | 1.500/38.10 | C              |                     |
| 65043-051LF | 2 X 2     | .200/5.08   | C              | *                   |
| 65043-052LF | 2 X 13    | 1.300/33.02 | K              | *                   |
| 65043-053LF | 2 X 3     | .300/7.62   | L              | *                   |
| 65043-054LF | 2 X 15    | 1.500/38.10 | J              | *                   |
| 65043-055LF | 2 X 22    | 2.200/55.88 | G              | *                   |
| 65043-056LF | 2 X 20    | 2.000/50.80 | H              | *                   |
| 65043-057LF | 2 X 20    | 2.000/50.80 | E              |                     |
| 65043-058LF | 2 X 5     | .500/12.70  | M              | *                   |
| 65043-059LF | 2 X 6     | .600/15.24  | M              | *                   |
| 65043-060LF | 2 X 10    | 1.000/25.40 | M              | *                   |
| 65043-061LF | 2 X 13    | 1.300/33.02 | M              | *                   |
| 65043-062LF | 2 X 16    | 1.600/40.64 | M              | *                   |
| 65043-063LF | 2 X 17    | 1.700/43.18 | M              | *                   |
| 65043-064LF | 2 X 20    | 2.000/50.80 | M              | *                   |
| 65043-065LF | 2 X 4     | .400/10.16  | N              |                     |
| 65043-066LF | 2 X 14    | 1.400/35.56 | E              |                     |
| 65043-067LF | 2 X 13    | 1.300/33.02 | G              | *                   |
| 65043-068LF | 2 X 17    | 1.700/43.18 | G              | *                   |
| 65043-069LF | 2 X 20    | 2.000/50.80 | G              | *                   |
| 65043-070LF | 2 X 12    | 1.200/30.48 | O              |                     |
| 65043-071LF | 2 X 19    | 1.900/48.26 | O              |                     |

|             |                |         |           |                                       |                               |
|-------------|----------------|---------|-----------|---------------------------------------|-------------------------------|
| mat'l code  | SEE NOTE 1     | surface | tolerance | projection                            | product family                |
| tr          | ecn no         | dr      | date      | ASME Y14.5 ✓<br>ASME Y14.5            | PV HOUSINGS                   |
| bc          |                |         |           | tolerances unless otherwise specified | title                         |
|             |                |         |           | angles                                | MINI LATCH HOUSING            |
|             |                |         |           | 0°±2'                                 | DOUBLE ROW .100 [2.54] CC     |
|             |                |         |           | dr                                    | M. CLOUSER 1990-01-31         |
|             |                |         |           | engr                                  | C. TREXLER 1990-01-31         |
|             |                |         |           | chr                                   | C. TREXLER 1990-01-31         |
|             |                |         |           | appd                                  | C. TREXLER 1990-01-31         |
| sheet index | revision sheet |         |           |                                       | type Product Customer Drawing |





| PRODUCT NO. | NO OF POS | DIM K       | SPECIAL MARKINGS STYLE | CUSTOMER RESTRICTED |
|-------------|-----------|-------------|------------------------|---------------------|
| 65043-072LF | 2 X 22    | 2.200/55.88 | O                      |                     |
| 65043-073LF | 2 X 27    | 2.700/68.58 | P                      |                     |
| 65043-074LF | 2 X 10    | 1.000/25.40 | Q                      |                     |
| 65043-075LF | 2 X 10    | 1.000/25.40 | O                      |                     |
| 65043-076LF | 2 X 10    | 1.000/25.40 | M                      |                     |
| 65043-077LF | 2 X 22    | 2.200/55.88 | R                      |                     |
| 65043-078LF | 2 X 20    | 2.000/50.80 | R                      |                     |
| 65043-079LF | 2 X 6     | .600/15.24  | R                      |                     |
| 65043-080LF | 2 X 8     | .800/20.32  | R                      |                     |
| 65043-081LF | 2 X 7     | .700/17.78  | R                      |                     |
| 65043-082LF | 2 X 11    | 1.100/27.94 | R                      |                     |
| 65043-083LF | 2 X 12    | 1.200/30.48 | R                      |                     |
| 65043-084LF | 2 X 20    | 2.000/50.80 | O                      |                     |
| 65043-085LF | 2 X 10    | 1.000/25.40 | R                      |                     |
| 65043-086LF | 2 X 19    | 1.900/48.26 | C                      |                     |
| 65043-087LF | 2 X 10    | 1.000/25.40 | C                      |                     |
| 65043-088LF | 2 X 5     | .500/12.70  | C                      |                     |
| 65043-089LF | 2 X 3     | .300/7.62   | N                      |                     |
| 65043-090LF | 2 X 9     | .900/22.86  | O                      |                     |
| 65043-091LF | 2 X 13    | 1.300/33.02 | O                      |                     |
| 65043-092LF | 2 X 13    | 1.300/33.02 | S                      |                     |
| 65043-093LF | 2 X 3     | .300/7.62   | T                      |                     |
| 65043-094LF | 2 X 11    | 1.100/27.94 | U                      |                     |
| 65043-095LF | 2 X 13    | 1.300/33.02 | V                      |                     |
| 65043-096LF | 2 X 13    | 1.300/33.02 | W                      |                     |
| 65043-097LF | 2 X 13    | 1.300/33.02 | M                      |                     |
| 65043-098LF | 2 X 25    | 2.500/63.50 | M                      | *                   |
| 65043-099LF | 2 X 4     | .400/10.16  | O                      |                     |
| 65043-100LF | 2 X 13    | 1.300/33.02 | Y                      |                     |
| 65043-101LF | 2 X 7     | .700/17.78  | Z                      |                     |
| 65043-102LF | 2 X 22    | 2.200/55.88 | Z                      |                     |
| 65043-103LF | 2 X 26    | 2.600/66.04 | Z                      |                     |
| 65043-104LF | 2 X 32    | 3.200/81.28 | Z                      |                     |
| 65043-105LF | 2 X 10    | 1.000/25.40 | Z                      |                     |
| 65043-106LF | 2 X 8     | .800/20.32  | Z                      |                     |

|                                       |                |               |           |            |                           |
|---------------------------------------|----------------|---------------|-----------|------------|---------------------------|
| mat'l code                            | SEE NOTE 1     | surface       | tolerance | projection | product family            |
| tr                                    | ecm no         | dr            | date      |            | PV HOUSINGS               |
| ASME Y14.5                            |                | ASME Y14.5    |           |            |                           |
| tolerances unless otherwise specified |                | angles        | 0°±2'     | INCH/MM    | title                     |
| XXX+01/XX+3                           |                | XXX+005/XX+13 |           | scale 1:1  | MINI LATCH HOUSING        |
| XXXX+0020/XXX+051                     |                |               |           |            | DOUBLE ROW .100 [2.54] CC |
| dr                                    | M. CLOUSER     | 1990-01-31    |           |            | dwg no                    |
| enrg                                  | C. TREXLER     | 1990-01-31    |           |            | sheet 9 of 11             |
| chr                                   | C. TREXLER     | 1990-01-31    |           |            | size                      |
| appd                                  | C. TREXLER     | 1990-01-31    |           |            | 65043                     |
| sheet index                           | revision sheet |               |           |            | type                      |
|                                       |                |               |           |            | Product Customer Drawing  |



| PRODUCT NO  | NO OF POS | DIM K       | MARKINGS STYLE | CUSTOMER RESTRICTED |
|-------------|-----------|-------------|----------------|---------------------|
| 65043-107LF | 2 X 5     | .500/12.70  | Z              |                     |
| 65043-108LF | 2 X 15    | 1.500/38.10 | Z              |                     |
| 65043-109LF | 2 X 30    | 3.000/76.20 | Z              |                     |
| 65043-110LF | 2 X 13    | 1.300/33.02 | Z              |                     |
| 65043-111LF | 2 X 2     | .200/5.08   | AA             |                     |
| 65043-112LF | 2 X 5     | .500/12.70  | AA             |                     |
| 65043-113LF | 2 X 6     | .600/15.24  | AA             |                     |
| 65043-114LF | 2 X 7     | .700/17.78  | AA             |                     |
| 65043-115LF | 2 X 8     | .800/20.32  | AA             |                     |
| 65043-116LF | 2 X 7     | .700/17.78  | AB             | *                   |
| 65043-117LF | 2 X 7     | .700/17.78  | O              |                     |
| 65043-118LF | 2 X 13    | 1.300/33.02 | C              |                     |
| 65043-119LF | 2 X 13    | 1.300/33.02 | AC             |                     |
| 65043-120LF | 2 X 2     | .200/5.08   | Z              |                     |
| 65043-121LF | 2 X 4     | .400/10.16  | Z              |                     |
| 65043-122LF | 2 X 17    | 1.700/43.18 | Z              |                     |
| 65043-123LF | 2 X 20    | 2.000/50.80 | Z              |                     |
| 65043-124LF | 2 X 8     | .800/20.32  | O              |                     |
| 65043-125LF | 2 X 15    | 1.500/38.10 | D              |                     |
| 65043-126LF | 2 X 30    | 3.000/76.20 | Y              |                     |
| 65043-127LF | 2 X 15    | 1.500/38.10 | AD             |                     |
| 65043-128LF | 2 X 32    | 3.200/81.28 | AD             |                     |
| 65043-129LF | 2 X 15    | 1.500/38.10 | AE             |                     |
| 65043-130LF | 2 X 32    | 3.200/81.28 | AE             |                     |
| 65043-131LF | 2 X 22    | 2.200/55.88 | AF             |                     |
| 65043-132LF | 2 X 7     | .700/17.78  | AF             |                     |
| 65043-133LF | 2 X 19    | 1.900/48.26 | AF             |                     |
| 65043-134LF | 2 X 12    | 1.200/30.48 | AF             |                     |
| 65043-135LF | 2 X 15    | 1.500/38.10 | M              |                     |
| 65043-136LF | 2 X 12    | 1.200/30.48 | Z              |                     |
| 65043-137LF | 2 X 18    | 1.800/45.72 | Z              |                     |
| 65043-138LF | 2 X 25    | 2.500/63.50 | Z              |                     |
| 65043-139LF | 2 X 36    | 3.600/91.44 | Z              |                     |
| 65043-140LF | 2 X 15    | 1.500/38.10 | AG             |                     |
| 65043-141LF | 2 X 7     | .700/17.78  | AG             |                     |

|             |                |         |           |                                       |                               |
|-------------|----------------|---------|-----------|---------------------------------------|-------------------------------|
| mat'l code  | SEE NOTE 1     | surface | tolerance | projection                            | product family                |
| ltr         | ecrn no        | dr      | date      | ASME Y14.5 ✓<br>ASME Y14.5            | PV HOUSINGS                   |
| bg          |                |         |           | tolerances unless otherwise specified | title                         |
|             |                |         |           | angles                                | MINI LATCH HOUSING            |
|             |                |         |           | 0°±2'                                 | DOUBLE ROW .100 [2.54] CC     |
|             |                |         |           | dr                                    | M. CLOUSER 1990-01-31         |
|             |                |         |           | engr                                  | C. TREXLER 1990-01-31         |
|             |                |         |           | chr                                   | C. TREXLER 1990-01-31         |
|             |                |         |           | appd                                  | C. TREXLER 1990-01-31         |
| sheet index | revision sheet |         |           |                                       | type Product Customer Drawing |

Copyright FCJ



FCJconnect.com

1 | 2

3 |

4

| PRODUCT NO  | NO OF POS   | DIM K       | SPECIAL MARKINGS STYLE | CUSTOMER RESTRICTED |
|-------------|-------------|-------------|------------------------|---------------------|
| 65043-142LF | 2 X 7       | .700/17.78  | D                      |                     |
| 65043-143LF | 2 X 3       | .300/7.62   | Y                      |                     |
| 65043-144LF | 2 X 5       | .500/12.70  | Y                      |                     |
| 65043-145LF | 2 X 10      | 1.000/25.40 | Y                      |                     |
| 65043-146LF | 2 X 12      | 1.200/30.48 | Y                      |                     |
| 65043-147LF | 2 X 13      | 1.300/33.02 | Y                      |                     |
| 65043-148LF | 2 X 15      | 1.500/38.10 | Y                      |                     |
| 65043-149LF | 2 X 17      | 1.700/43.18 | Y                      |                     |
| 65043-150LF | 2 X 18      | 1.800/45.72 | Y                      |                     |
| 65043-151LF | 2 X 20      | 2.000/50.80 | Y                      |                     |
| 65043-152LF | 2 X 25      | 2.500/63.50 | Y                      |                     |
| 65043-153LF | 2 X 35      | 3.500/88.90 | Y                      |                     |
| 65043-154LF | 2 X 36      | 3.600/91.44 | Y                      |                     |
| 65043-155LF | 2 X 30      | 3.000/76.20 | E                      |                     |
| 65043-156LF | 2 X 13      | 1.300/33.02 | AH                     |                     |
| 65043-157LF | 2 X 14      | 1.400/35.56 | AJ                     |                     |
| 65043-158LF | 2 X 12      | 1.200/30.48 | AK                     |                     |
| 65043-159LF | 2 X 27      | 2.700/68.58 | D                      |                     |
| 65043-160LF | 2 X 12      | 1.200/30.48 | E                      |                     |
| 65043-161LF | 2 X 24      | 2.400/60.96 | E                      |                     |
| 65043-162LF | 2 X 12      | 1.200/30.48 | D                      |                     |
| 65043-163LF | 2 X 4       | .400/10.16  | AG                     |                     |
| 65043-164LF | 2 X 23      | 2.300/58.42 | AJ                     |                     |
| 65043-165LF | 2 X 7       | .700/17.78  | AJ                     |                     |
| 65043-166LF | UNAVAILABLE |             |                        |                     |
| 65043-167LF | UNAVAILABLE |             |                        |                     |
| 65043-168LF | UNAVAILABLE |             |                        |                     |
| 65043-169LF | UNAVAILABLE |             |                        |                     |
| 65043-170LF | UNAVAILABLE |             |                        |                     |
| 65043-171LF | 2 X 9       | .900/22.86  | AP                     |                     |
| 65043-172LF | 2 X 9       | .900/22.86  | AR                     |                     |

|             |                |                      |                      |                                       |                               |
|-------------|----------------|----------------------|----------------------|---------------------------------------|-------------------------------|
| mat'l code  | SEE NOTE 1     | surface ASME Y14.5 ✓ | tolerance ASME Y14.5 | projection                            | product family PV HOUSINGS    |
| ltr         | ec'n no        | dr                   | date                 | tolerances unless otherwise specified | title                         |
| BG          |                |                      |                      | angles                                | MINI LATCH HOUSING            |
|             |                |                      |                      | 0°±2'                                 | DOUBLE ROW .100 [2.54] CC     |
|             |                |                      |                      | dr M. CLOUSER 1990-01-31              | dwg no 65043                  |
|             |                |                      |                      | enrgt C. TREXLER 1990-01-31           | sheet 11 of 11                |
|             |                |                      |                      | chr C. TREXLER 1990-01-31             | size A4                       |
|             |                |                      |                      | appd C. TREXLER 1990-01-31            | type Product Customer Drawing |
| sheet index | revision sheet |                      |                      |                                       |                               |

form A4mmXc

1 |

2 |

3 |

4

PDM: Rev:BG

STATUS: Released

Printed: May 01, 2009