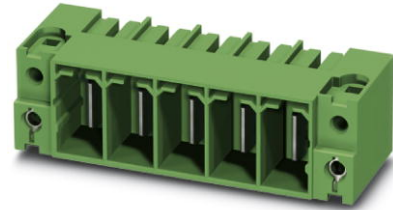



PC 35 HC/ 3-GF-15,00

Order No.: 1762754



<http://eshop.phoenixcontact.de/phoenix/treeViewClick.do?UID=1762754>

Header, Nominal current: 125 A, Rated voltage (III/2): 1000 V, Number of positions: 3, Pitch: 15 mm, Color: green, Assembly: Soldering

Commercial data	
GTIN (EAN)	 4 046356 441025
sales group	E551
Pack	25 pcs.
Customs tariff	85366990
Catalog page information	Page 496 (CC-2011)

Product notes

WEEE/RoHS-compliant since:
08/12/2008



<http://www.download.phoenixcontact.com>
Please note that the data given here has been taken from the online catalog. For comprehensive information and data, please refer to the user documentation. The General Terms and Conditions of Use apply to Internet downloads.

Technical data

Dimensions / positions	
Length	38 mm
Height	33.1 mm
Pitch	15 mm
Dimension a	30 mm
Number of positions	3

Pin dimensions	2,4 x 2,5 mm
Pin spacing	11.00 mm
Hole diameter	3.6 mm

Technical data

Range of articles	PC 35 HC/..-GF
Insulating material group	IIIa
Rated surge voltage (III/3)	8 kV
Rated surge voltage (III/2)	8 kV
Rated surge voltage (II/2)	8 kV
Rated voltage (III/2)	1000 V
Rated voltage (II/2)	1000 V
Connection in acc. with standard	EN-VDE
Nominal current I_N	125 A
Nominal voltage U_N	1000 V
Maximum load current	125 A
Insulating material	PBT
Inflammability class acc. to UL 94	V0
Nominal voltage, UL/CUL Use Group B	600 V
Nominal current, UL/CUL Use Group B	105 A
Nominal voltage, UL/CUL Use Group C	600 V
Nominal current, UL/CUL Use Group C	105 A

Certificates / Approvals

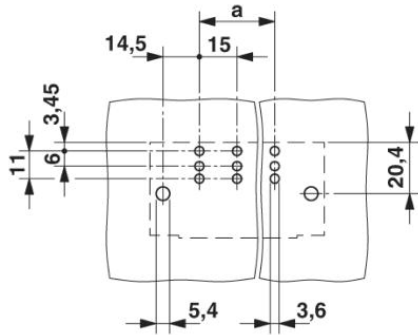


Certification

CUL, UL

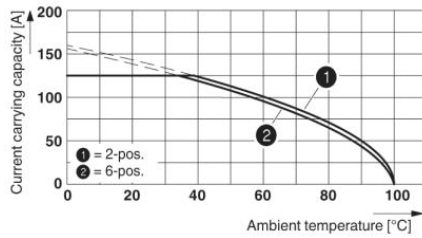
Diagrams/Drawings

Drilling plan/solder pad geometry

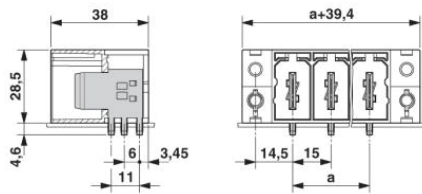


Diagram

Type: PC 35 HC/...-STF-15,00 with PC 35 HC/...-GF-15,00



Dimensioned drawing



Address

PHOENIX CONTACT Inc., USA
586 Fulling Mill Road
Middletown, PA 17057, USA
Phone (800) 888-7388
Fax (717) 944-1625
<http://www.phoenixcon.com>



© 2011 Phoenix Contact
Technical modifications reserved;