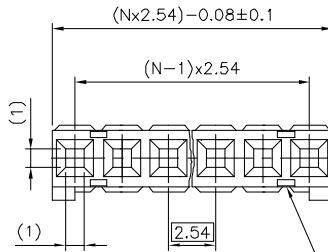
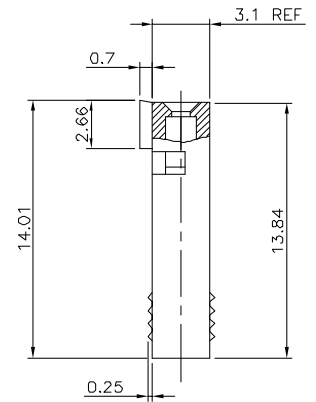
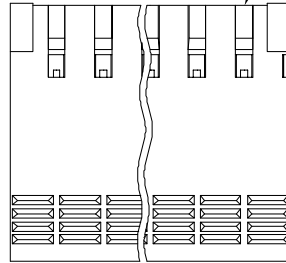


PRODUCT NUMBER
65240-0XXLF

- WHEN NEEDED, SUFFIX LETTER "LF" INDICATES THE PRODUCT IS RoHS COMPLIANT, SEE NOTE 6
- NUMBER OF CAVITIES PER ROW: 02 TO 36.
- PLASTIC MATERIAL.



SEE NOTE 2



NOTES:

- 1 - HOUSING MAT'L: THERMOPLASTIC GLASS FILLED FLAME RETARDANT PER UL 94 V-0 COLOR: BLUE.
- 2 - OVER DASH -007 ONLY FIRST AND LAST THREE POSITIONS MUST HAVE GROOVES ON TWO SIDES.
- 3 - PRODUCT PACKED IN PLASTIC BAG.
- 4 - TO DETERMINE DIMENSIONS:
N = NUMBER OF POSITIONS
EXAMPLE: 8 POS: (N x 2.54) - 0.08 = 20.24 mm.
- 5 - FOR TECHNICAL APPLICATION SEE TA317.
- 6 - RoHS COMPATIBLE PRODUCT SPECIFICATIONS

a - LABELING:

- MEETS PACKAGING SPECS AS PER GS-14-920

b - LEGAL STATEMENT: SEE GS-22-008

THE PRODUCT IS NOT INTENDED TO BE EXPOSED TO A MANUFACTURING SOLDER PROCESS.

| | | | | | | | |
|-------------|----------------|---------|----------|---------------------------------------|-------------|------------|------------------|
| mat'l. code | SEE NOTE | surface | ISO 1982 | tolerance | ISO 486 ISO | projection | product family |
| ltr | ecm no | dr | date | tolerances unless otherwise specified | angles | 101 | DUBOX |
| P | F06-0144 | DLE | 06.03.10 | ±0.3 | linear | mm | title |
| R | F06-0223 | DLE | 06.07.07 | | | | CtW HOUSING |
| S | F07-0164 | PNZ | 07.04.02 | ±Z | | scale 5:1 | SR |
| L | F05-0169 | DLE | 05.04.07 | engr | G CORBOZ | 01.01.05 | dwg no |
| M | F05-0234 | DLE | 05.08.24 | chr | JF NOTTEAU | 01.01.05 | 65240 |
| N | F05-0284 | DLE | 05.11.07 | app | P NZ | 01.01.05 | sheet 1 of 1 |
| sheet index | revision sheet | | | | | | size |
| | | | | | | | A3 |
| | | | | | | | type |
| | | | | | | | CUSTOMER Drawing |