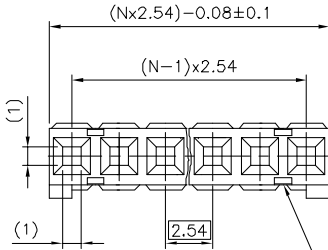
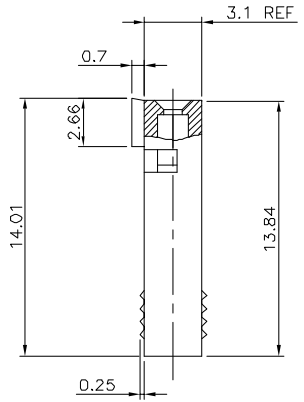
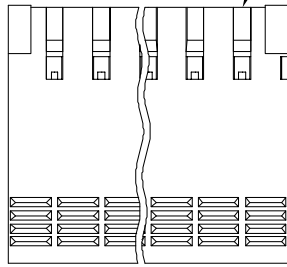


PRODUCT NUMBER
65240-0XXLF

- WHEN NEEDED, SUFFIX LETTER "LF" INDICATES THE PRODUCT IS RoHS COMPLIANT, SEE NOTE 6
- NUMBER OF CAVITIES PER ROW: 02 TO 36.
- PLASTIC MATERIAL.



SEE NOTE 2



NOTES:

- 1 - HOUSING MAT'L: THERMOPLASTIC GLASS FILLED FLAME RETARDANT PER UL 94 V-0 COLOR: BLUE.
- 2 - OVER DASH -007 ONLY FIRST AND LAST THREE POSITIONS MUST HAVE GROOVES ON TWO SIDES.
- 3 - PRODUCT PACKED IN PLASTIC BAG.
- 4 - TO DETERMINE DIMENSIONS:
N = NUMBER OF POSITIONS
EXAMPLE: 8 POS: (N x 2.54) - 0.08 = 20.24 mm.
- 5 - FOR TECHNICAL APPLICATION SEE TA317.
- 6 - RoHS COMPATIBLE PRODUCT SPECIFICATIONS

a - LABELING:

— MEETS PACKAGING SPECS AS PER GS-14-920

b - LEGAL STATEMENT: SEE GS-22-008

THE PRODUCT IS NOT INTENDED TO BE EXPOSED TO A MANUFACTURING SOLDER PROCESS.

| mat'l. code | surface | tolerance | projection |
|-------------|----------------|-------------|------------|
| SEE NOTE | ISO 1982 | ISO 486 ISO | 101 |
| Ltr | ecm no | dr | date |
| P | F06-0144 | DLE | 06.03.10 |
| R | F06-0223 | DLE | 06.07.07 |
| S | F07-0164 | PNZ | 07.04.02 |
| | angles | linear | ±0.3 |
| | ±Z' | | mm |
| | dr | G CORBOZ | 01.01.05 |
| | engr | P NIZZI | 01.01.05 |
| | chr | JF NOTTEAU | 01.01.05 |
| | app | P NZ | 01.01.05 |
| sheet index | revision sheet | | |

| | |
|----------------|------------------|
| product family | DUBOX |
| title | CtW HOUSING SR |
| dwg no | 65240 |
| sheet 1 of 1 | size A3 |
| type | CUSTOMER Drawing |

Copyright FCJ
FCJconnect.com