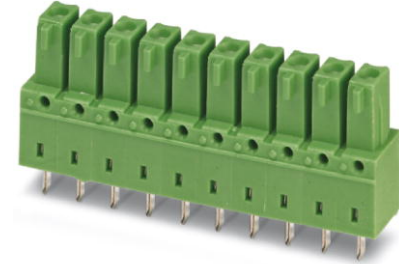


IMCV 1,5/ 8-G-3,81


Order No.: 1875483

The figure shows a 16-pos. version of the product



<http://eshop.phoenixcontact.de/phoenix/treeViewClick.do?UID=1875483>

Header, Nominal current: 8 A, Rated voltage (III/2): 160 V, Number of positions: 8, Pitch: 3.81 mm, Color: green, Assembly: Soldering

| Commercial data | |
|--------------------------|--|
| GTIN (EAN) |  4 017918 133986 |
| sales group | E135 |
| Pack | 50 pcs. |
| Customs tariff | 85366990 |
| Catalog page information | Page 225 (CC-2011) |

Product notes

WEEE/RoHS-compliant since:
01/01/2003



<http://www.download.phoenixcontact.com>
Please note that the data given here has been taken from the online catalog. For comprehensive information and data, please refer to the user documentation. The General Terms and Conditions of Use apply to Internet downloads.

Technical data

| Dimensions / positions | |
|------------------------|--------------|
| Length | 6.85 mm |
| Pitch | 3.81 mm |
| Dimension a | 26.67 mm |
| Number of positions | 8 |
| Pin dimensions | 0,8 x 0,8 mm |

| | |
|-------------------------------------|---------------|
| Hole diameter | 1.2 mm |
| Technical data | |
| Range of articles | IMCV 1,5/..-G |
| Insulating material group | I |
| Rated surge voltage (III/3) | 2.5 kV |
| Rated surge voltage (III/2) | 2.5 kV |
| Rated surge voltage (II/2) | 2.5 kV |
| Rated voltage (III/2) | 160 V |
| Rated voltage (II/2) | 320 V |
| Connection in acc. with standard | EN-VDE |
| Nominal current I_N | 8 A |
| Nominal voltage U_N | 160 V |
| Maximum load current | 8 A |
| Insulating material | PA |
| Inflammability class acc. to UL 94 | V0 |
| Color | Green |
| Nominal voltage, UL/CUL Use Group B | 300 V |
| Nominal current, UL/CUL Use Group B | 8 A |
| Nominal voltage, UL/CUL Use Group D | 300 V |
| Nominal current, UL/CUL Use Group D | 8 A |

Certificates / Approvals



Certification

CB, CUL, GOST, UL, VDE-PZI

Accessories

| Item | Designation | Description |
|----------------|--------------------------|--|
| Marking | | |
| 0804109 | SK 3,81/2,8:FORTL.ZAHLEN | Marker card, printed horizontally, self-adhesive, 10-section marker strip, 14 identical decades marked 1-10, 11-20 etc. up to 91-(99)100, sufficient for 140 terminal blocks |

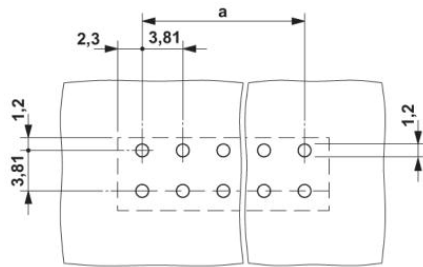
Additional products

| Item | Designation | Description |
|----------------|----------------------|---|
| General | | |
| 1897869 | EMC 1,5/ 8-G-3,81 | Header, Nominal current: 8 A, Rated voltage (III/2): 160 V, Number of positions: 8, Pitch: 3.81 mm, Color: green, Assembly: Press-in |
| 1860702 | EMCV 1,5/ 8-G-3,81 | Header, Nominal current: 8 A, Rated voltage (III/2): 160 V, Number of positions: 8, Pitch: 3.81 mm, Color: green, Assembly: Press-in |
| 1857948 | IMC 1,5/ 8-ST-3,81 | Plug component, Nominal current: 8 A, Rated voltage (III/2): 160 V, Number of positions: 8, Pitch: 3.81 mm, Connection method: Screw connection, Color: green |
| 1803332 | MC 1,5/ 8-G-3,81 | Header, Nominal current: 8 A, Rated voltage (III/2): 160 V, Number of positions: 8, Pitch: 3.81 mm, Color: green, Assembly: Soldering |
| 1908826 | MC 1,5/ 8-G-3,81 THT | Header, Nominal current: 8 A, Rated voltage (III/2): 160 V, Number of positions: 8, Pitch: 3.81 mm, Color: black, Assembly: SMD/THT/THR, User information and design recommendations on through hole reflow technology can be found at: http://www.combicon.com |
| 1830017 | MCD 1,5/ 8-G-3,81 | Header, Nominal current: 8 A, Rated voltage (III/2): 160 V, Number of positions: 8, Pitch: 3.81 mm, Color: green, Assembly: Soldering, In combination with MCV plug components, both an MCVW and an MCVR plug must be used. |
| 1843130 | MCD 1,5/ 8-G1-3,81 | Header, Nominal current: 8 A, Rated voltage (III/2): 160 V, Number of positions: 8, Pitch: 3.81 mm, Color: green, Assembly: Soldering, In combination with MCV plug components, both an MCVW and an MCVR plug must be used. |
| 1830460 | MCDV 1,5/ 8-G-3,81 | Header, Nominal current: 8 A, Rated voltage (III/2): 160 V, Number of positions: 8, Pitch: 3.81 mm, Color: green, Assembly: Soldering, In combination with MCV plug components, both an MCVW and an MCVR plug must be used. |
| 1847796 | MCDV 1,5/ 8-G1-3,81 | Header, Nominal current: 8 A, Rated voltage (III/2): 160 V, Number of positions: 8, Pitch: 3.81 mm, Color: green, Assembly: Soldering, In combination with MCV plug components, both an MCVW and an MCVR plug must be used. |
| 1861785 | MCO 1,5/ 8-GL-3,81 | Header, Nominal current: 8 A, Rated voltage (III/2): 160 V, Number of positions: 8, Pitch: 3.81 mm, Color: green, Assembly: Soldering |
| 1861701 | MCO 1,5/ 8-GR-3,81 | Header, Nominal current: 8 A, Rated voltage (III/2): 160 V, Number of positions: 8, Pitch: 3.81 mm, Color: green, Assembly: Soldering |
| 1803484 | MCV 1,5/ 8-G-3,81 | Header, Nominal current: 8 A, Rated voltage (III/2): 160 V, Number of positions: 8, Pitch: 3.81 mm, Color: green, Assembly: Soldering |

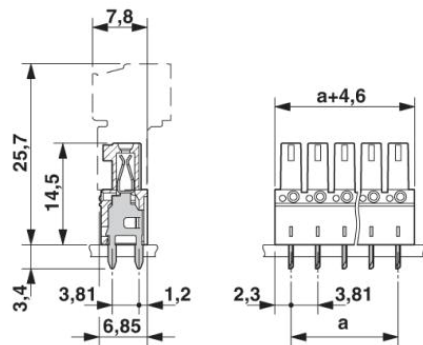
| | | |
|---------|---------------------|--|
| 1837492 | MCVDU 1,5/ 8-G-3,81 | Header, Nominal current: 8 A, Rated voltage (III/2): 160 V, Number of positions: 8, Pitch: 3.81 mm, Color: green, Assembly: Soldering |
| 1832798 | MCVK 1,5/ 8-G-3,81 | Plug component, Nominal current: 8 A, Rated voltage (III/2): 160 V, Number of positions: 8, Pitch: 3.81 mm, Color: green, Assembly: DIN rail |
| 1827334 | SMC 1,5/ 8-G-3,81 | Header, Nominal current: 8 A, Rated voltage (III/2): 160 V, Number of positions: 8, Pitch: 3.81 mm, Color: green, Assembly: Soldering |

Diagrams/Drawings

Drilling plan/solder pad geometry



Dimensioned drawing



Address

PHOENIX CONTACT Inc., USA
586 Fulling Mill Road
Middletown, PA 17057, USA
Phone (800) 888-7388
Fax (717) 944-1625
<http://www.phoenixcon.com>



© 2011 Phoenix Contact
Technical modifications reserved;