


REDUC-M-KV-M40/M32

Order No.: 1647640




<http://eshop.phoenixcontact.de/phoenix/treeViewClick.do?UID=1647640>

Reducing adapter, M40 on M32, incl. O-ring

Commercial data	
GTIN (EAN)	 4 017918 941543
sales group	D092
Pack	10 pcs.
Customs tariff	74153300
Catalog page information	Page 599 (PC-2011)

Product notes

WEEE/RoHS-compliant since:
05/28/2005

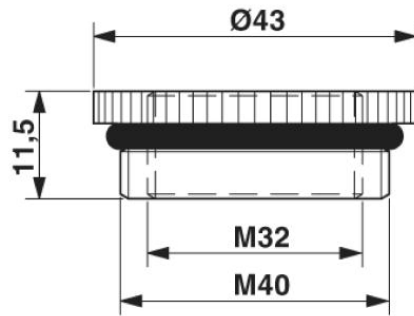


<http://www.download.phoenixcontact.com>
Please note that the data given here has been taken from the online catalog. For comprehensive information and data, please refer to the user documentation. The General Terms and Conditions of Use apply to Internet downloads.

Technical data	
General data	
Material	Nickel-plated brass
Material, O-ring	NBR
Thread type connection side 1	M32
Ambient temperature (operation)	-20 °C ... 80 °C

Diagrams/Drawings

Dimensioned drawing



Address

PHOENIX CONTACT Inc., USA
586 Fulling Mill Road
Middletown, PA 17057, USA
Phone (800) 888-7388
Fax (717) 944-1625
<http://www.phoenixcon.com>



© 2011 Phoenix Contact
Technical modifications reserved;