


SK 35-D

Order No.: 3026890

<http://eshop.phoenixcontact.de/phoenix/treeViewClick.do?UID=3026890>

Shield connection terminal block, for applying the shield directly to the conductive mounting plates

Commercial data	
GTIN (EAN)	 4 017918 876661
Note	Made-to-order
sales group	A502
Pack	10 pcs.
Customs tariff	85369010
Catalog page information	Page 548 (CL1-2011)

Product notes

WEEE/RoHS-compliant since:
11/03/2005

<http://www.download.phoenixcontact.com>
Please note that the data given here has been taken from the online catalog. For comprehensive information and data, please refer to the user documentation. The General Terms and Conditions of Use apply to Internet downloads.

Technical data

General

Color	silver
-------	--------

Technical data

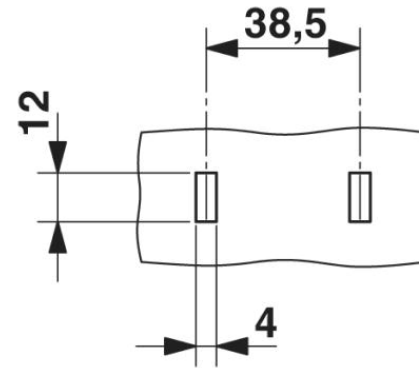
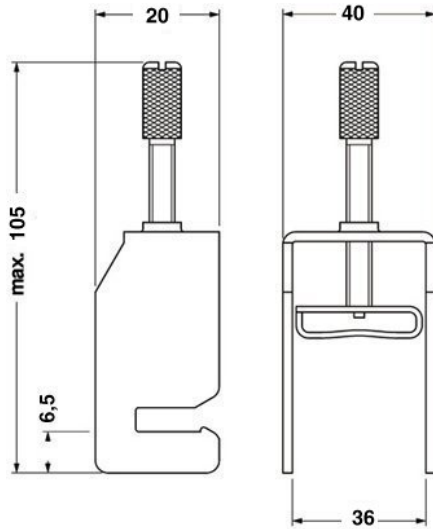
Connection in acc. with standard	IEC / EN
----------------------------------	----------

Connection data

Tightening torque, min	1.5 Nm
Tightening torque max	1.8 Nm

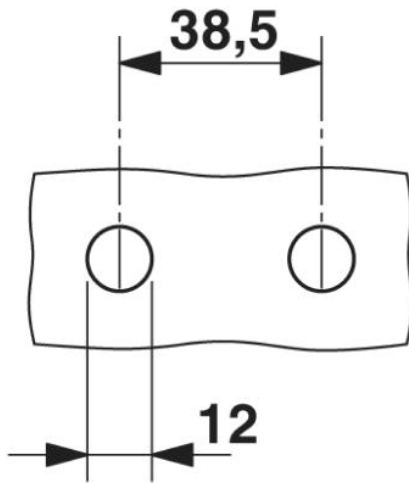
Diagrams/Drawings

Dimensioned drawing



Punching template

Drilling diagram



SK 35-D Order No.: 3026890

<http://eshop.phoenixcontact.de/phoenix/treeViewClick.do?UID=3026890>

Address

PHOENIX CONTACT Inc., USA
586 Fulling Mill Road
Middletown, PA 17057, USA
Phone (800) 888-7388
Fax (717) 944-1625
<http://www.phoenixcon.com>



© 2011 Phoenix Contact
Technical modifications reserved;