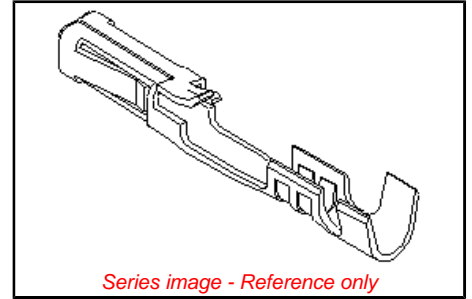


Part Number: [0016020098](#)
Status: **Active**
Overview: SL
Description: SL™ Crimp Terminal 70058, 24-30 AWG, Bag Selective Gold (Au)



General

Product Family	Crimp Terminals
Series	70058
Overview	SL
Product Name	SL™

Physical

Gender	Female
Material - Metal	Phosphor Bronze
Material - Plating Mating	Gold
Material - Plating Termination	Tin
Packaging Type	Bag
Plating min: Mating (µin)	30
Plating min: Mating (µm)	0.75
Plating min: Termination (µin)	50
Plating min: Termination (µm)	1.25
Termination Interface: Style	Crimp or Compression
Wire Insulation Diameter	1.52mm (.060") max.
Wire Size AWG	24
Wire Size AWG	26
Wire Size AWG	28
Wire Size AWG	30
Wire Size mm²	N/A

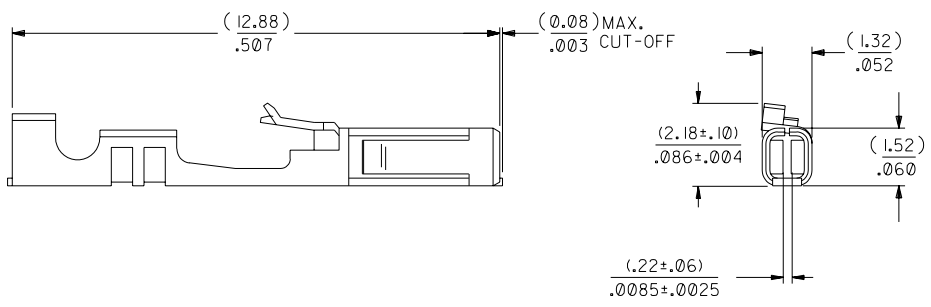
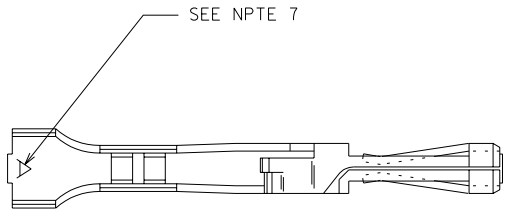
Material Info

Old Part Number	70058-0208
-----------------	------------

EU RoHS
ELV and RoHS
Compliant

China RoHS





NOTES:

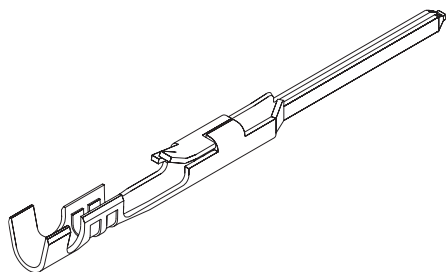
1. TERMINAL TO BE USED IN HOUSINGS 70066-**** AND 70450-****
2. REFER TO PRODUCT SPECIFICATION PS-70058
3. REFER TO MOLEX OPERATIONS AND SERVICE MANUAL FOR CRIMP DETAILS
4. TERMINAL TO BE USED WITH (0.64)/.025 SQUARE PINS
5. TERMINAL TO BE USED WITH 24-30 AWG STRANDED WIRE WITH (1.52)/.060 MAX. DIA. INSULATION
6. TERMINALS SUPPLIED LOOSE PER DRAWING PK-70873-0822
7. CRIMP SIZE INDICATOR A=24-30 AWG

*THE PRIMARY SHIPPING CARTON WILL BE LABELED *COMPLIANT TO RoHS DIRECTIVE 2002/95/EC AND ELV ANNEX II OF DIRECTIVE 2000/53/EC*. CARTONS WITHOUT THIS LABEL MAY CONTAIN PRODUCT WITH LEAD.

PLATING:

.000030 MIN. GOLD PLATE IN SELECT AREA,
 .000075 MIN. TIN PLATE IN SELECT AREA,
 OVER NICKEL PLATE OVERALL.

D		LEAD FREE UCP2004-1769 RWHITE 04/03/11	C1	REVISED PER ECR *U70928 MCGRATH 97/06/26	DIMENSIONS SHOWN (METRIC) INCH UNLESS OTHERWISE SPECIFIED TOLERANCES: ANGULAR ± 1/2°		▽ = 0 ▼ = 0 REVISE ONLY ON CAD SYSTEM													
C3		ADD CRP SIZE & NOTE 7 ECN UDT1998-0183 MOWANG 04/17/98	C	REVISE PER ECR* U82218 11-07-88 MJM/MGB	<table border="1"> <thead> <tr> <th></th> <th>INCH</th> <th>METRIC</th> </tr> </thead> <tbody> <tr> <td>3 PLACE</td> <td>± .005</td> <td>---</td> </tr> <tr> <td>2 PLACE</td> <td>± .01</td> <td>± 0.13</td> </tr> <tr> <td>1 PLACE</td> <td>---</td> <td>± 0.25</td> </tr> </tbody> </table>			INCH	METRIC	3 PLACE	± .005	---	2 PLACE	± .01	± 0.13	1 PLACE	---	± 0.25	TITLE TERMINAL - BOX/CRIMP	
	INCH	METRIC																		
3 PLACE	± .005	---																		
2 PLACE	± .01	± 0.13																		
1 PLACE	---	± 0.25																		
C2		REVISED ECR *U80270 MCGRATH 97/07/31	B	REDRAWN & REVISED PER ECR *U81133 03/02/88 MJM/JAS	DRAFT WHERE APPLICABLE MUST REMAIN WITHIN DIMENSIONS		<table border="1"> <tr> <td>MOLEX INCORPORATED</td> <td>SHEET NO.</td> <td>DATE</td> </tr> <tr> <td>LITSE,ILL. 60932 U.S.A.</td> <td>1 OF 1</td> <td>03/02/88</td> </tr> </table>		MOLEX INCORPORATED	SHEET NO.	DATE	LITSE,ILL. 60932 U.S.A.	1 OF 1	03/02/88						
MOLEX INCORPORATED	SHEET NO.	DATE																		
LITSE,ILL. 60932 U.S.A.	1 OF 1	03/02/88																		
LTR.		REVISIONS	LTR.	REVISIONS	DRWG. BY JAS	CHK'D. BY	FILE NAME S70058AB DGN	THIS DRAWING CONTAINS INFORMATION THAT IS PROPRIETARY TO MOLEX INC. AND SHOULD NOT BE USED WITHOUT WRITTEN PERMISSION.												
LTR.		REVISIONS	LTR.	REVISIONS	APP'D. BY	SCALE 10:1	DRWG. NO. SD-70058-0208	DIV. SIZE DA B												

2.54mm (.100") Pitch**SL™****Terminal****70021****Male, Crimp****Features and Benefits**

- Dual tab strain relief
- Locking tang secures terminal in housing

Reference Information

Product Specification: PS-70021

Packaging: Reel or bag

Mates With: 70058 and 71851 female crimp terminals, and 70400 and 70430 connector assemblies

Use With: 70066D and 70107 housings

Designed In: Inches

Electrical

Voltage: 250V

Current: 3.0A

Contact Resistance: 15 milliohms max.

Insulation Resistance: 10,000 Megohms min.

Mechanical

Wire Pull-Out Force: 17.79N (4.0 lb) min.

Durability: Tin—25 cycles; Gold—50 cycles

Physical

Contact: Copper Alloy

Plating: See Table

Operating Temperature: -40 to +105°C

Wire Gauge: 22 to 24 and 24 to 30 AWG

Not For Use With C-Grid III™ Components

Reel				
Order No.	Plating	Wire Range (AWG) Stranded	Insulation Maximum Outside Diameter	Lead-free
16-02-0116	1	22-24	1.63 (.064)	Yes
16-02-0078		24-30	1.52 (.060)	
16-02-0081	2	22-24	1.63 (.064)	
16-02-0077		24-30	1.52 (.060)	
16-02-0107	3	22-24	1.63 (.064)	
16-02-0105		24-30	1.52 (.060)	

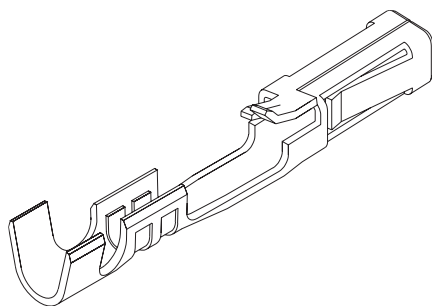
Bag				
Order No.	Plating	Wire Range (AWG) Stranded	Insulation Maximum Outside Diameter	Lead-free
16-02-0117	1	22-24	1.63 (.064)	Yes
16-02-0110		24-30	1.52 (.060)	
16-02-0115	2	22-24	1.63 (.064)	
16-02-0109		24-30	1.52 (.060)	
16-02-0114	3	22-24	1.63 (.064)	
16-02-0108		24-30	1.52 (.060)	

Plating No. 1: 30µm min. Gold in select area over 50µm min. Nickel overall with 75µm Tin in select area

Plating No. 2: 15µm min. Gold in select area over 50µm min. Nickel overall with 75µm Tin in select area

Plating No. 3: 150µm Tin over 50µm Nickel overall

Each reel contains 20,000 terminals

2.54mm (.100") Pitch**SL™****Terminal****70058****Female Box, Crimp****Features and Benefits**

- Dual beam, fully-enclosed box contact
- Dual tab strain relief
- Locking tang secures terminal in housing

Reference Information

Product Specification: PS-70058

Packaging: Reel or bag

Mates With: 70021 male crimp terminals and

0.64mm (.025") square pins

Use With: All 70066 and 70450 housings

Designed In: Inches

Electrical

Voltage 250V

Current: 3.0A

Contact Resistance: 15 milliohms max.

Insulation Resistance: 10,000 Megohms min.

Mechanical

Contact Retention to Housing: 17.79N (4.0 lb) min.

Wire Pull-Out Force: 17.79N (4.0 lb) min.

Mating Force: 2.22N (.50 lb) max.

Unmating Force: 0.28N (.06 lb) min.

Normal Force: 0.98N (.22 lb) min.

Durability: Tin—25 cycles; Gold—50 cycles

Physical

Contact: Copper Alloy

Plating: See Table

Operating Temperature: -40 to +105°C

Wire Gauge: 22 to 24 and 24 to 30 AWG

Not For Use With C-Grid III™ Components

Reel				
Order No.	Plating	Wire Range (AWG) Stranded	Insulation Maximum Outside Diameter	Lead-free
16-02-0088	1	22-24	1.63 (.064)	Yes
16-02-0083		24-30	1.52 (.060)	
16-02-0087	2	22-24	1.63 (.064)	
16-02-0082		24-30	1.52 (.060)	
16-02-0086	3	22-24	1.63 (.064)	
16-02-0069		24-30	1.52 (.060)	

Bag				
Order No.	Plating	Wire Range (AWG) Stranded	Insulation Maximum Outside Diameter	Lead-free
16-02-0104	1	22-24	1.63 (.064)	Yes
16-02-0098		24-30	1.52 (.060)	
16-02-0103	2	22-24	1.63 (.064)	
16-02-0097		24-30	1.52 (.060)	
16-02-0102	3	22-24	1.63 (.064)	
16-02-0096		24-30	1.52 (.060)	

Plating No. 1: 30µm min. Gold in select area over 50µm min. Nickel overall with 75µm Tin in select area

Plating No. 2: 15µm min. Gold in select area over 50µm min. Nickel overall with 75µm Tin in select area

Plating No. 3: 150µm Tin over 50µm Nickel overall

Each reel contains 20,000 terminals

C-6 MX07

