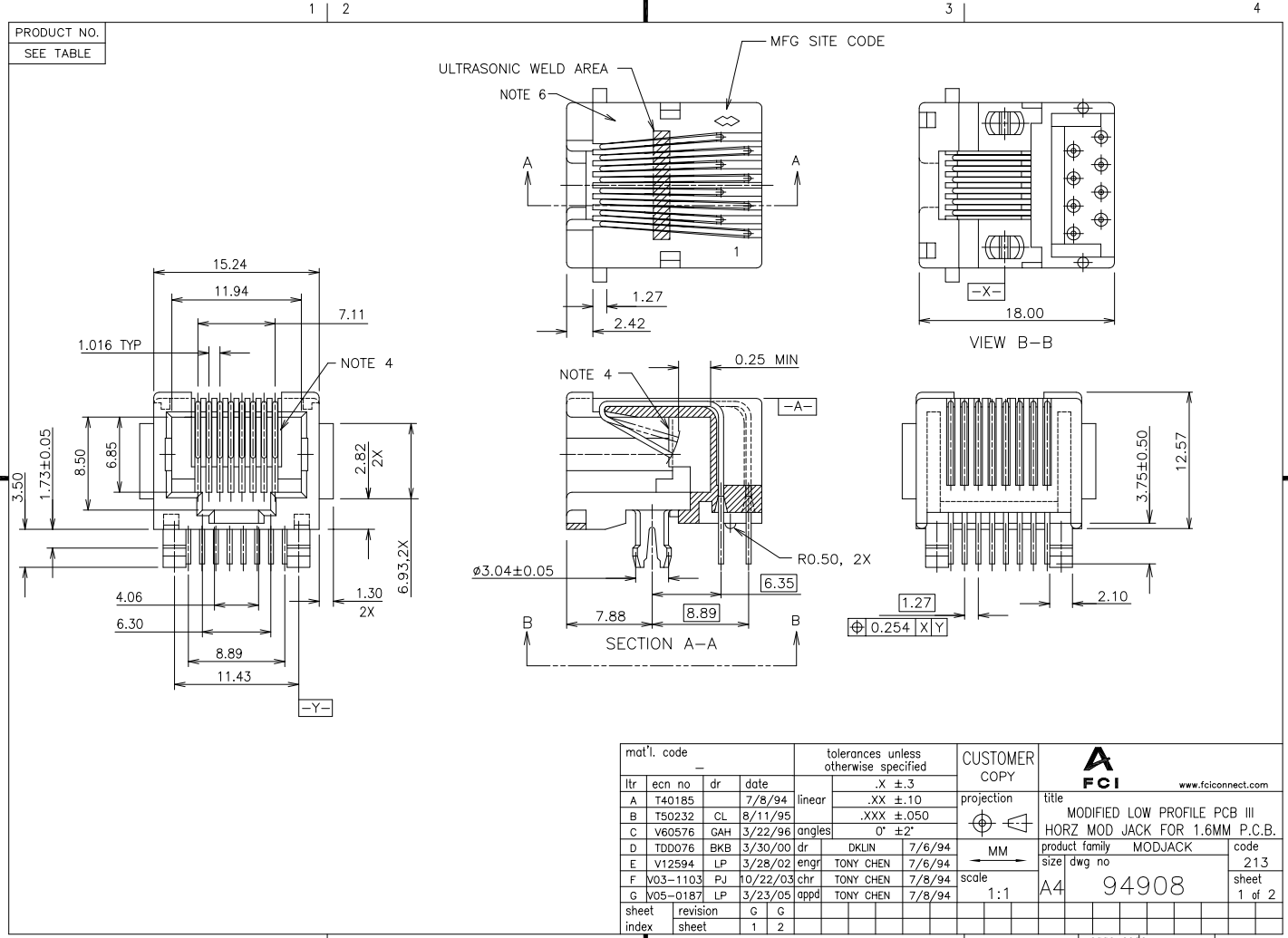


All rights strictly reserved. Reproduction or issue to third parties in any form whatever is not permitted without written authority from the proprietor. Property of FCI. Copyright FCI.  
 Tous droits strictement réservés. Reproduction ou communication à des tiers interdite sous quelque forme que ce soit sans autorisation écrite du propriétaire. Propriété de c FCI. Droits de reproduction FCI.



|             |                |     |          |                                       |                  |   |                              |
|-------------|----------------|-----|----------|---------------------------------------|------------------|---|------------------------------|
| mat'l. code |                |     |          | tolerances unless otherwise specified |                  | CUSTOMER COPY   | www.fciconnect.com           |
| ltr         | ecn no         | dr  | date     | linear                                | .XX ±.3          |   |                              |
| A           | 140185         |     | 7/8/94   |                                       | .XX ±.10         | product family MODJACK code 213<br>size dwg no 94908 sheet 1 of 2 |                              |
| B           | T50232         | CL  | 8/11/95  | angles                                | .XXX ±.050       |   | scale 1:1<br>cage code 22526 |
| C           | v60576         | GAH | 3/22/96  |                                       | 0° ±2°           |   |                              |
| D           | TDD076         | BKB | 3/30/00  | dr                                    | DKLIN 7/6/94     |   |                              |
| E           | V12594         | LP  | 3/28/02  | engr                                  | TONY CHEN 7/6/94 |   |                              |
| F           | V03-1103       | PJ  | 10/22/03 | chr                                   | TONY CHEN 7/8/94 |   |                              |
| G           | V05-0187       | LP  | 3/23/05  | appd                                  | TONY CHEN 7/8/94 |   |                              |
| sheet index | revision sheet | G G | 1 2      |                                       |                  |   |                              |

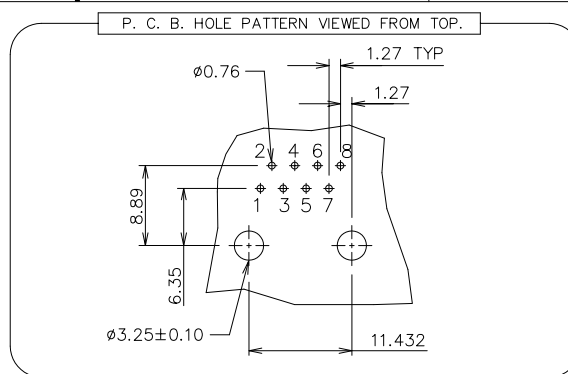
Tous droits strictement réservés. Reproduction ou communication a des tiers interdite sous quelque forme que ce soit sans autorisation écrite du propriétaire. Propriété de c FCI. Droits de reproduction FCI.

All rights strictly reserved. Reproduction or issue to third parties in any form whatever is not permitted without written authority from the proprietor. Property of FCI. Copyright FCI.

| PRODUCT NUMBER | NO OF POS | LOADED POSITION |
|----------------|-----------|-----------------|
| 94908-X88      | 8         | ALL POS.        |
| 94908-X86      |           | 2,3,4,5,6,7     |
| 94908-X84      |           | 3,4,5,6         |
| 94908-X84A     |           | 1,2,3,6         |
| 94908-X88LF    | 8         | ALL POS.        |
| 94908-X86LF    |           | 2,3,4,5,6,7     |
| 94908-X84LF    |           | 3,4,5,6         |
| 94908-X84ALF   |           | 1,2,3,6         |

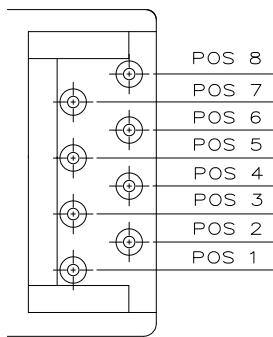
NOTE: PLEASE CHECK FOR AVAILABILITY, NOT ALL OPTIONS AVAILABLE.

| PLATING CODE | PLATING     | HSG COLOR |
|--------------|-------------|-----------|
| 0            | 30μ" G.X.T. | BLACK     |
| 1            | 15μ" AU     |           |
| 2            | 20μ" GFDP   |           |
| 3            | 30μ" AU     |           |
| 4            | 15μ" G.X.T. |           |
| 5            | 50μ" AU     |           |



NOTES:

1. RECOMMENDED P.C.B THICKNESS 1.60 MM
2. HOUSING MAT'L: NYLON 66, 25% GLASS REINFORCED, UL94-V0, COLOR : SEE TABLE.  
THE HOUSING WILL WITHSTAND EXPOSURE TO 260 DEGREES C PEAK TEMPERATURE FOR 10 SECONDS IN A WAVE SOLDER APPLICATION WITH A 1.60mm MIN THICK CIRCUIT BOARD.
3. CONTACTS: PHOS BRONZE ALLOY UNS-C51000, 0.460 DIA. ROUND WIRE. SEE TABLE FOR PLATING.
4. PROTRUDED SHELF ONLY APPEARS ON 8-POS JACK.
5. STANDARD PACKAGING METHOD (USE TUBE): SEE GES-14-361. PACKAGING OF LEAD FREE PRODUCTS MEETS LABELING AND PACKAGING SPECIFICATION GS-14-920.
6. COMPANY LOGO LOCATED IN THIS AREA ,AND WOULD APPEAR IN THE SAME SHIPMENT UNLESS LOGO SPEC HEREIN IS UPDATED.
7. LEAD FREE PRODUCTS MEET EUROPEAN UNION DIRECTIVES AND OTHER COUNTRY REGULATIONS AS DESCRIBED IN GS-22-008.



WIRE POSITION No

|             |                |                                       |      |               |            |                                |        |
|-------------|----------------|---------------------------------------|------|---------------|------------|--------------------------------|--------|
| mat'l. code |                | tolerances unless otherwise specified |      | CUSTOMER COPY |            | <br>www.fciconnect.com         |        |
| ltr         | ecn no         | dr                                    | date | linear        | projection | title                          |        |
| G           |                |                                       |      | .X ±.3        | ⊕          | MODIFIED LOW PROFILE PCB III   |        |
|             |                |                                       |      | .XX ±.10      |            | HORZ MOD JACK FOR 1.6MM P.C.B. |        |
|             |                |                                       |      | .XXX ±.050    |            | product family                 | code   |
|             |                |                                       |      | angles        | ← MM       | MODJACK                        | 213    |
|             |                |                                       |      | dr            |            | size                           | sheet  |
|             |                |                                       |      | enrg          | DKLIN      | 94908                          | 2 of 2 |
|             |                |                                       |      | chr           | TONY CHEN  |                                |        |
|             |                |                                       |      | appd          | TONY CHEN  |                                |        |
| sheet index | revision sheet |                                       |      | scale         | 1:1        | cage code                      |        |
|             |                |                                       |      |               |            | 22526                          |        |

ACAD