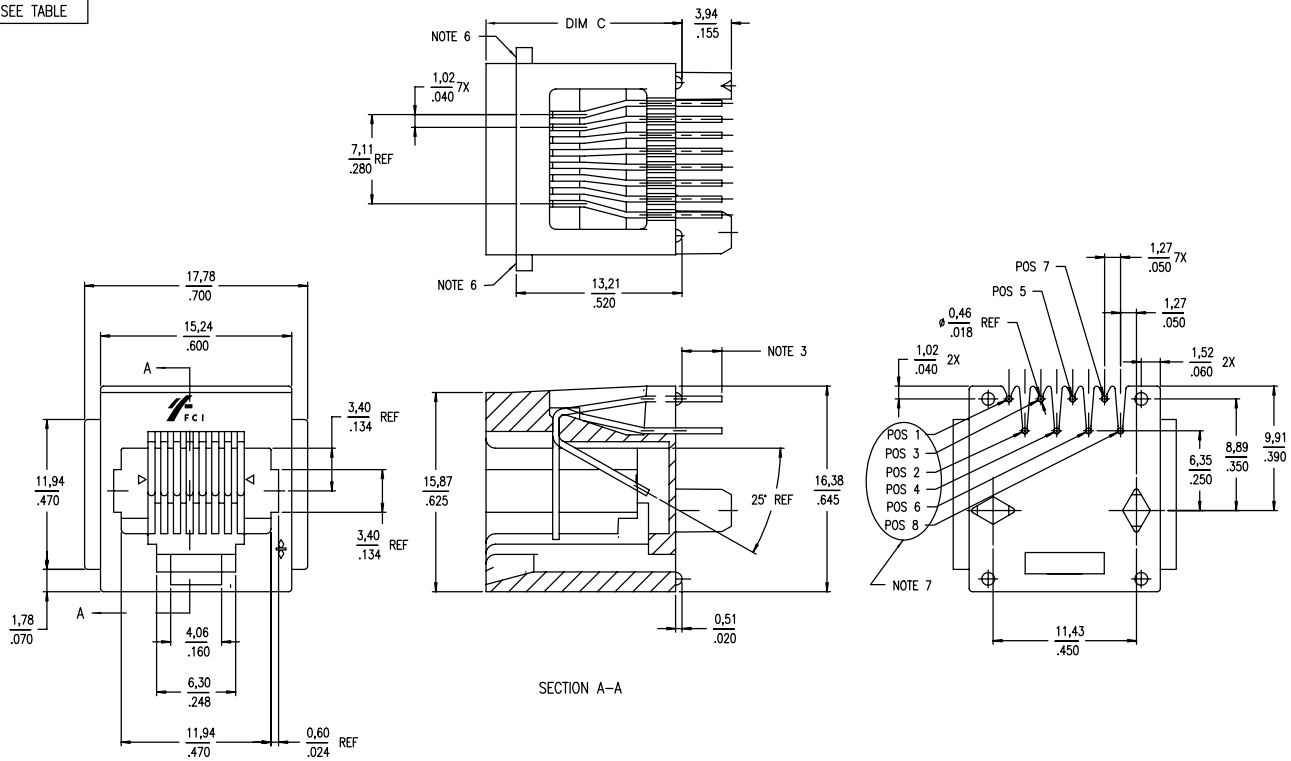


All rights strictly reserved. Reproduction or issue to third parties in any form whatever is not permitted without written authority from the proprietor. Property of FCI. Copyright FCI.
 Tous droits strictement réservés. Reproduction ou communication à des tiers interdite sous quelque forme que ce soit sans autorisation écrite du propriétaire. Propriété de c FCI. Droits de reproduction FCI.



PRODUCT NO.
SEE TABLE



mat'l. code				tolerances unless otherwise specified				CUSTOMER COPY		FCI	
ltr	ecn no	dr	date	linear	.XX ±.01/XX±.3	projection			www.fciconnect.com		
AE	N10-0009	SH	01/13/10		.XXX ±.005/XX±.13				title		
W	T90350	TC	2/22/00		.XXX ±.0020/XXX±.051				8 POS VERTICAL		
X	S00022	BCL	6/26/00	angles	0° ±2°				P.C.B. MOD JACK ASSY		
Y	N00059	MC	5/25/00	dr	JANET 2/22/00	MM/INCH	product family	MODJACK	code		
AA	N00186	MC	2/19/00	enrg	M.CHENG 12/19/00	scale	size	dwg no	-		
AB	N05-0022	MHT	2/18/05	chr	M.CHENG 12/19/00	3.5/1	A	69255	sheet		
AC	M05-0067	MHT	4/8/05	appd	M.CHENG 12/19/00				1 of 3		
sheet	revision	AE	AE	AE							
index	sheet	1	2	3							

ACAD

PDM: Rev:AE

STATUS: Released

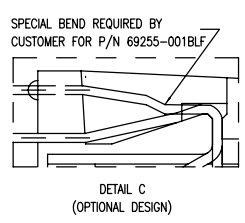
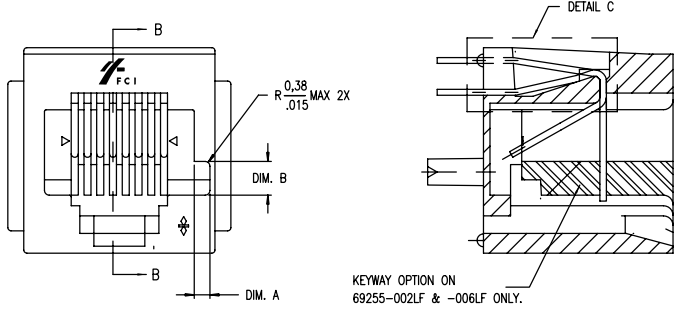
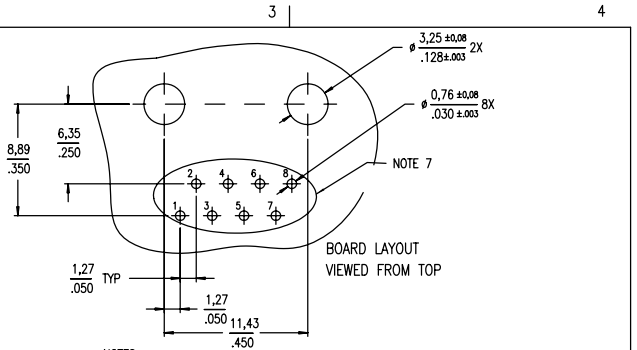
Printed: Aug 01, 2010

Tous droits strictement réservés. Reproduction ou communication a des tiers interdite sous quelque forme que ce soit sans autorisation écrite du propriétaire. Propriété de c FCI. Droits de reproduction FCI.



All rights strictly reserved. Reproduction or issue to third parties in any form whatever is not permitted without written authority from the proprietor. Property of FCI. Copyright FCI.

PRODUCT NO. (E)	DIM. A	DIM. B	DIM. C	STYLE	POSITIONS LOADED	CONTACT PLATING (I)	NOTES
69255-X01YLF	-	-	15.62/.615	UNKEYED	ALL	GXT	-
-X02YLF	1,25 / .050	2,69 / .106	15.62/.615	KEYED	ALL	GXT	-
-X03YLF	-	-	15.62/.615	UNKEYED	2,3,4,5,6,7	GXT	-
-X04YLF	-	-	15.62/.615	UNKEYED	ALL	0,76um / 30u" Au	-
-X05YLF	-	-	15.62/.615	UNKEYED	ALL	1,27um / 50u" Au	-
-X06YLF	1,25 / .050	2,69 / .106	15.62/.615	KEYED	ALL	1,27um / 50u" Au	-
-X07YLF	-	-	15.62/.615	UNKEYED	ALL	GXT	NOTE 1
-X08YLF	-	-	15.62/.615	UNKEYED	3,4,5,6	GXT	-
-X09YLF	-	-	15.62/.615	UNKEYED	ALL	GXT	NOTE 6
-X10YLF	-	-	13.62/.536	UNKEYED	ALL	GXT	NOTE 6



- NOTES :
- SPECIAL PACKAGING.
 - GXT IS 0,76um / 30u" MIN GXT WITH Au FLASH OVER 1,27um / 50u" MIN Ni.
 - SOLDER TAIL LENGTH :
 X = 0 [3,18 ±0,51 / .125 ±0,20]
 X = 1 [8,13 ±0,51 / .320 ±0,20]
 X = 2 [5,30 ±0,51 / .208 ±0,20]
 X = 3 [3,70 ±0,51 / .145 ±0,20]
 [FOR X = 1 TO 2 , WIRE TRUE POSITION IS NOT APPLICABLE.]
 [PACKAGING SPEC. IS GES-14-428]
 - COLOR OF HOUSING :
 Y = NIL (BLACK HOUSING)
 Y = W (WHITE, RAL1013 HOUSING)
 Y = G (GRAY, HOUSING)
 - SPECIAL REQUIREMENT :
 SEE DETAIL C FOR P/N 69255-001B FOR FEATURE DETAILS.
 - NO PANEL STOPS ON -X09Y AND -X10Y.
 - THIS PIN NUMBERING OPPOSITE TO FCC, PART 68, SUB-PART F REQUIREMENTS
 - PART NUMBERS WITH LF IN THE END ARE LEAD FREE.
 - THIS PRODUCT MEETS EUROPEAN UNION DIRECTIVES AN OTHER COUNTRY REGULATION AS DESCRIBED IN GS-22-008.
 - THE HOUSING TEMPERATURE WITHSTAND EXPOSURE TO 260°C PEAK TEMPERATURE FOR 15 SECONDS IN A WAVE SOLDER APPLICATION WITH A 1.5 MM MINIMUM THICK CIRCUIT BOARD. SEE APPLICATION NOTES/PROCEDURES IF THEY ARE AVAILABLE.
 - PLATING OPTION:
 MAY BE EITHER GOLD OR GXT PLATED AT MANUFACTURER'S OPTION.

mat'l. code		tolerances unless otherwise specified		CUSTOMER COPY		FCI	
ltr	ecn no	dr	date	linear	projection	www.fciconnect.com	
AE				.XXX ±.005/.XX±.13	MM/INCH	title	
				.XXX ±.0020/.XXX±.051	3.5/1	8 POS VERTICAL	
				0° ±2°	A	P.C.B. MOD JACK ASSY	
				dr JANET 2/22/00		product family	MODJACK
				enr M.CHENG 12/19/00		size	dwg no
				chr M.CHENG 12/19/00		69255	
				appd M.CHENG 12/19/00		code	sheet
sheet	revision					2 of	
index	sheet						

ACAD PDM: Rev:AE STATUS:Released cage code 22926 Printed: Aug 01, 2010

Tous droits strictement réservés. Reproduction ou communication à des tiers interdite sous quelque forme que ce soit sans autorisation écrite du propriétaire. Propriété de FCI. Droits de reproduction FCI.



All rights strictly reserved. Reproduction or issue to third parties in any form whatever is not permitted without written authority from the proprietor. Property of FCI. Copyright FCI.

1 | 2

3 |

4

PRODUCT NO. (E)	DIM. A	DIM. B	DIM. C	STYLE	POSITIONS LOADED	CONTACT PLATING (F)	NOTES
69255-X01YHLF	-	-	15.62/.615	UNKEYED	ALL	GXT	-
-X02YHLF	1,25 /,050	2,69 /,106	15.62/.615	KEYED	ALL	GXT	-
-X03YHLF	-	-	15.62/.615	UNKEYED	2,3,4,5,6,7	GXT	-
-X04YHLF	-	-	15.62/.615	UNKEYED	ALL	0,76um /30u" Au	-
-X05YHLF	-	-	15.62/.615	UNKEYED	ALL	1,27um /50u" Au	-
-X06YHLF	1,25 /,050	2,69 /,106	15.62/.615	KEYED	ALL	1,27um /50u" Au	-
-X07YHLF	-	-	15.62/.615	UNKEYED	ALL	GXT	NOTE 1
-X08YHLF	-	-	15.62/.615	UNKEYED	3,4,5,6	GXT	-
-X09YHLF	-	-	15.62/.615	UNKEYED	ALL	GXT	NOTE 6
-X10YHLF	-	-	13.62/.536	UNKEYED	ALL	GXT	NOTE 6

MEETS PIP PROCESS PRODUCT NO.

A

A

mat'l. code		tolerances unless otherwise specified		CUSTOMER COPY		FCI www.fciconnect.com	
ltr	ecr no	dr	date	linear	.XX ±.01/XX±.3	projection	title
AE				angles	.XXX ±.005/XX±.13 .XXX ±.0020/XXX±.051 0° ±2°		8 POS VERTICAL P.C.B. MOD JACK ASSY
				dr	JANET 2/22/00	MM/INCH	product family MODJACK
				enr	M.CHENG 12/19/00	scale	code
				chr	M.CHENG 12/19/00	3.5/1	size
				appd	M.CHENG 12/19/00	A	dwg no
sheet	revision						69255
index	sheet						3 of

B

B

1 | 2

ACAD

PDM: Rev:AE

STATUS: Released

cage code 22926

Printed: Aug 4th 2010