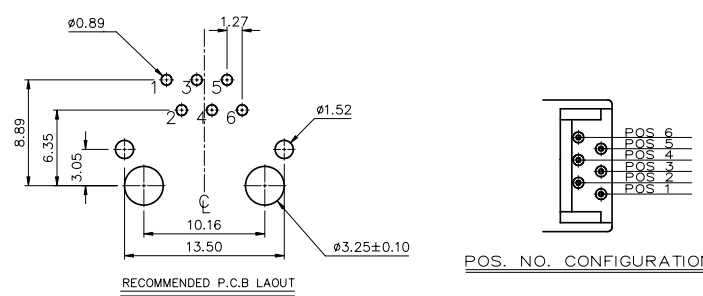
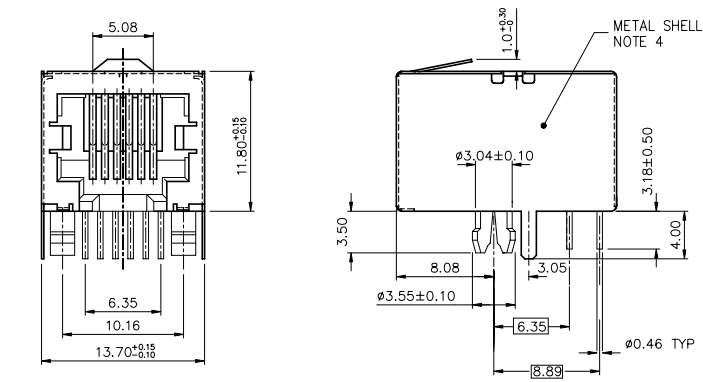
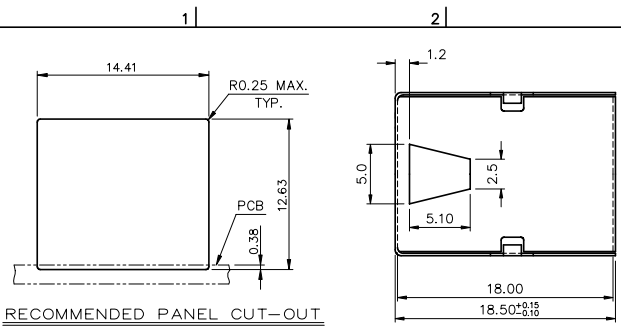


Tous droits strictement réservés. Reproduction ou communication à des tiers sans autorisation écrite du propriétaire.
 All rights strictly reserved. Reproduction or issue to third parties in any form without written authority from the proprietor.
 Copyright BERG ELECTRONICS by



PRODUCT NO	NUMBER OF POS.	LOADED POSITION	HSG COLOR	PLATING
61885-0661	6	ALL POS.	BLACK	30u" G.X.T.
61885-0641		2,3,4,5		
61885-0621		3,4		
61885-0661LF		ALL POS.		
61885-0641LF		2,3,4,5		
61885-0621LF		3,4		

LEAD FREE PRODUCT NO.

NOTES:

- RECOMMENDED P.C.B. THICKNESS 1.60 MM
- HOUSING MAT'L: NYLON 66, 25% GLASS REINFORCED, COLOR: SEE TABLE
- CONTACTS: PHOS BRONZE ALLOY UNS-C51000, Ø 0.460 ROUND WIRE, PLATING SEE TABLE.
- METAL SHELL MATERIAL: COPPER ALLOY, 0.20MM THICK. FINISH: FOR 61885-XXXX TIN-LEAD 100u" THICK. FOR 61885-XXXXLF PURE TIN 80u" THICK.
- PACKAGING PER GES-14-361, USING TUBE
- IF LF P/N THE PRODUCT MEETS EUROPEAN UNION DIRECTIVES AND OTHER COUNTRY REGULATIONS AS DESCRIBED IN GS-22-008
- IF LF P/N THE HOUSING WILL WITHSTAND EXPOSURE TO 260°C PEAK TEMPERATURE FOR 10 SECONDS IN A WAVE SOLDER APPLICATION WITH A 1.60mm MINIMUM THICK CIRCUIT BOARD
- IF LF P/N PACKAGING MEETS GS-14-920 SPECIFICATION

mat'l code	tolerance unless otherwise specified	CUSTOMER COPY	title
rev. ecn no. dr date	linear .0 ± 0.25	projection	www.fcdconnect.com
A T70292 C L 10/08/97	.00 ± 0.13	⊘	LOW PROFILE PCB III 6 POS
B T80057 CANV 02/11/98	.000 ± 0.05		MOD JACK, FULLY SHIELDED
C T80510 M W 11/18/98	angles ± 2'		product family MOD JACK
D T03-0443 W L 10/08/03	dr C M HSU 03/27/97	unit	code
E N04-0125 YS 12/15/04	enqr TONY CHIEN 03/27/97	mnm/inch	TWN
	chr TONY CHIEN 03/27/97	scale	sheet
	appd JENN TSAO 03/27/97	3 : 1	1 OF 1
sheet revision E			
index sheet 1			