

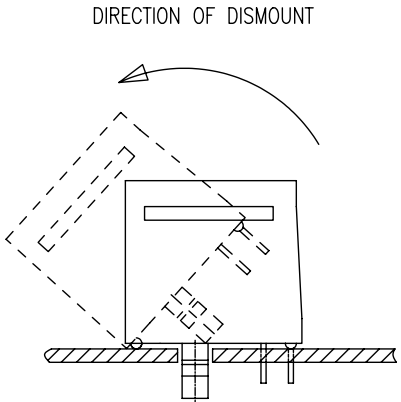
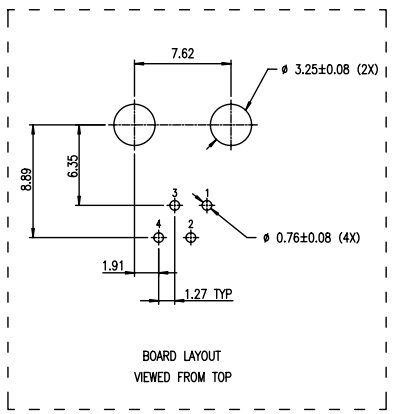
Tous droits strictement réservés. Reproduction ou communication à des tiers sans autorisation écrite du propriétaire.
 All rights strictly reserved. Reproduction or communication to third parties without written authority from the proprietor.
 Copyright BERG ELECTRONICS by



All rights strictly reserved. Reproduction or issue to third parties in any form without written authority from the proprietor.
 Copyright BERG ELECTRONICS by

PRODUCT NO.	NO. OF POS	LOADED POS	HSG COLOR
61835-X441	4	ALL POS	BLACK
-X421	4	3,4	BLACK
-X442	4	ALL POS	GRAY
-X422	4	3,4	GRAY

PLATING CODE X	PLATING
0	30 μ" G.X.T.
1	15 μ" GOLD
3	30 μ" GOLD
4	6 μ" GOLD
5	50 μ" GOLD



JACK DISMOUNT METHOD
 DETAIL A
 NOTE 5

NOTES:

- P/N WITH DASH X4XX -NORMAL WAVE SOLDERING APPLICATION.
- PACKAGING SPEC. GES-14-351. (USING TRAY).
- SCRATCH MARKS ACCEPTABLE ON THESE SURFACES.
- JACK IS FOR 1.57/.062 THICK PCB.
- SHOULD THE JACK NEED TO BE DISMOUNTED FROM THE PCB. PLS REMOVE JACK AS PER RECOMMENDED METHOD HEREIN. (DETAIL A) NIPPING THE LEGS OF THE PEG TOGETHER IS DISALLOWED, OTHERWISE LEG BREAKAGE MAY OCCUR.
- THESE DIMENSIONS ARE MEASURED FROM THE TOP OF THE PEG.
- THIS PRODUCT MEETS EUROPEAN UNION DIRECTIVES AND OTHER COUNTRY REGULATIONS AS DESCRIBED IN GS-22-008
- IF LF P/N PACKSGING MEETS GS-14-920 SPECIFICATION
- THE HOUSING WILL WITHSTAND EXPOSURE TO 260° PEAK TEMPERATURE FOR 10 SECONDS IN A WAVE SOLDER APPLICATION WITH A 1.57mm MINIMUM THICK CIRCUIT BOARD
- EQUIVALENT THICKNESS Au AND GXT PLATING HAVE SAME FUNCTION AND THEY ARE ALTERNATIVE BY THE CUSTOEMR .

mat'l code		tolerance unless otherwise specified		CUSTOMER COPY		FCJ		www.fcjconnect.com	
rev.	ecn no.	dr	date	linear	.0 ± 0.25	projection	title	4 POS VERT. SPECIAL PEG	code
e					.00 ± 0.13			P.C.B. III MOD JACK ASSY	TWN
				angles	.000± 0.05				sheet
					± 2°				2 OF
				dr	C L FENG D2/20/97	unit	product family	MOD JACK	
				enrg	TONY CHIEN D2/20/97	mm/inch	size	dwg no.	
				chr	TONY CHIEN D2/20/97	scale	A3	61835	
				appd	JENN TSAO D2/20/97				
sheet	revisor								
index	sheet								