

Tous droits strictement réservés. Reproduction ou communication à des tiers interdite sans autorisation écrite du propriétaire. Property of FCI. Copyright FCI.

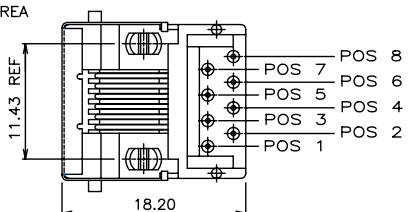
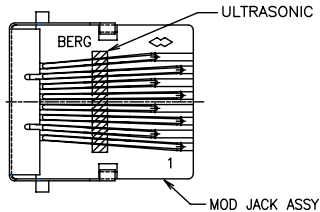
All rights strictly reserved. Reproduction or issue to third parties in any form without written authority from the proprietor. Property of FCI. Copyright FCI.

1 | 2

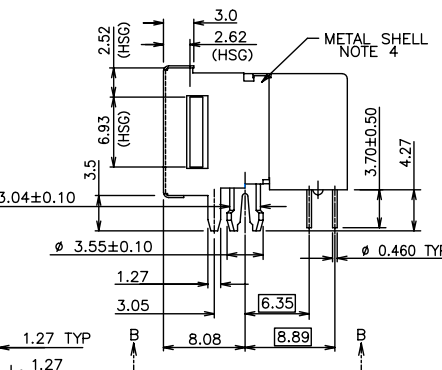
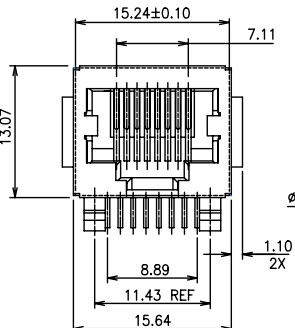
3 |

4

PRODUCT NO	NUMBER OF POS.	LOADED POSITION	MOD JACK ASSY
94909-X88	8	ALL POS.	94908-X88
94909-X86		2,3,4,5,6,7	94908-X86
94909-X84		3,4,5,6	94908-X84
94909-X84A		1,2,3,6	94908-X84A
94909-X88LF		ALL POS.	94908-X88LF
94909-X86LF		2,3,4,5,6,7	94908-X86LF
94909-X84LF		3,4,5,6	94908-X84LF
94909-X84ALF		1,2,3,6	94908-X84ALF
94909-X88NLF	ALL POS.	94908-X88LF	



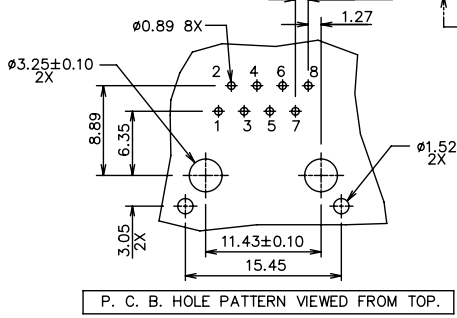
NOTES: PLEASE CHECK FOR AVAILABILITY, NOT ALL OPTIONS AVAILABLE.



VIEW B-B
POS. NO. CONFIGURATION

PLATING CODE X	PLATING
0	30u" G.X.T.
1	15u" GOLD ⑨
2	20u" GFDP
3	30u" GOLD ⑨
5	50u" GOLD

- NOTES:
1. RECOMMENDED P.C.B THICKNESS 1.60 MM
 2. HOUSING MAT'L: NYLON 66, 25% GLASS REINFORCED.
 3. CONTACTS: PHOS BRONZE ALLOY UNS-C51000, ϕ 0.460 ROUND WIRE, SEE TABLE FOR PLATING.
 - ④ METAL SHELL MATERIAL: JIS C7521R-H OR THE EQUIVALENT, 0.2MM THICK.
 5. PACKAGING PER GES-14-361, USING TUBE.
 6. COMPANY LOGO LOCATED IN THIS AREA.
 7. LEAD FREE PRODUCTS MEET EUROPEAN UNION DIRECTIVES AND OTHER COUNTRY REGULATIONS AS DESCRIBED IN GS-22-008.
 8. FOR P/N -X88NLF: 30'u NI MIN, WITH SELECTICE TIN ON SOLDER TAILS.
 - ⑨ EQUIVALENT THICKNESS Au AND GXT PLATING HAVE SAME FUNCTION AND THEY ARE ALTERNATIVE BY THE CUSTOEMR .



P. C. B. HOLE PATTERN VIEWED FROM TOP.

mat'l. code		tolerances unless otherwise specified		CUSTOMER COPY		FCI www.fciconnect.com		
ltr	ecn no	dr	date	linear	projection	title		
G	V03-1103	PJ	10/22/03	.XX±.13	MM	MODIFIED LOW PROFILE PCB III		
H	V05-0187	LP	3/23/05	.XX±.051		8 POS SHIELDED MOD JACK		
J	N08-0202	SH	09/16/08	0±2	1:1	product family	MOD JACK	
K	N08-0097	SH	09/25/08			size	dwg no	210
sheet index		revision sheet		scale		code sheet		
						1 of 1		

ACAD

PDM: Rev:K

STATUS: Released

Printed: Aug 01, 2010