

PRODUCT N°
SEE TABLE

SEE NOTE 3

SEE NOTE 5

SEE NOTE 6

SEE NOTE 3

POS.#1

rev	ecn no	dr	date
K	F05-0247	DLE	05.09.30
L	F06-0242	DLE	06.07.20
M	F08-0127	LSA	08-02-15
-	-	-	-
-	-	-	-
-	-	-	-

www.fciconnect.com			surface ISO 1302	tolerance std ±0.13	projection ±2°	mm
TOLERANCES UNLESS OTHERWISE SPECIFIED			ANGULAR	0.X ±Y	size A3	Scale 4:1
Dr	D LEGRAND	02.09.12	LINEAR	0.XX ±Y	ECN	F06-0242
Eng	P NIZZI	03.09.24	0° ±Y*	0.XXX ±Y	Spec ref	-
Chr	D LEGRAND	03.09.24	Product family		MODULAR JACK	
Appr	P NIZZI	03.09.24	Title			
			VERTICAL SMT		Rev.	
			4 POSITIONS		M	
			catalog no		98431-XXX(E)	
			PBM-Rev.M		CUSTOMER	
			STATUS Released		sheet 1 of 2	
					Printed Oct 01, 2010	

REV 1 - 2006-03-28



Copyright FCI.

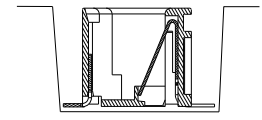
PRODUCT N°
98431-XXXLF

CONTACT PLATING OPTION
1= GXT 0.76 µm
3= 0.76 µm GOLD
5= 1.27 µm GOLD

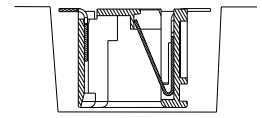
PACKAGE OPTIONS	VERSION
TAPE AND REEL PACKAGE 1= LOADED FACE UP	TOP
TAPE AND REEL PACKAGE 2= LOADED FACE DOWN	BOTTOM

TERMINAL LOADING OPTIONS
1= FULLY LOADED

WHEN NEEDED, SUFFIX LETTER "LF" INDICATES THE PRODUCT IS RoHS COMPATIBLE SEE NOTE 7.

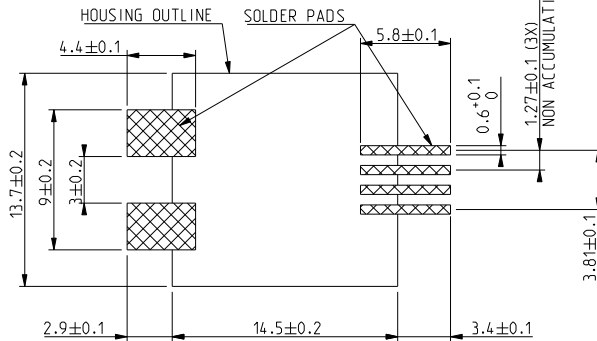


TOP VERSION



BOTTOM VERSION

- NOTES:
- 1 - MATERIAL:
HOUSING: HIGH TEMP. PLASTIC, COLOR BLACK
TERMINAL PHOSPHOR BRONZE
 - 2 - PLATING
CONTACT AREA: OPTIONAL SEE TABLE
SOLDER TAIL: SnPb 90/10 2 µm MIN
NO RAW EDGES EXCEPT SOLDER TAILS TIPS
 - 3 - AREA FOR VACUUM PICK AND PLACE VENTURY
 - 4 - PACKAGING SPECIFICATION SEE TA 858
 - 5 - DIMENSION MEASURED FROM "A" TO THE TOP OF PRODUCT
 - 6 - COPLANARITY SEE TA 861.
 - 7 - RoHS COMPATIBLE PRODUCT SPECIFICATIONS
 - a - PLATING:
- "LF" MEANS THE PRODUCT IS LEAD-FREE.
2 µm MINIMUM MATTE TIN OVER 1.27 µm MINIMUM NICKEL UNDERPLATE.
 - b - MANUFACTURING PROCESS COMPATIBILITY:
- THE HOUSING WILL WITHSTAND EXPOSURE TO 245 °C PEAK TEMPERATURE FOR 30 SECONDS MAX IN A CONVECTION, INFRA-RED OR VAPOR PHASE OR REFLOW OVEN.
 - c - LABELLING:
- MEETS PACKAGING SPECS AS PER GS-14-920.
 - d - LEGAL STATEMENT: SEE GS-22-008



RECOMMENDED PCB FOOTPRINT

www.fciconnect.com			surface ISO 1302	tolerance std ±0.13 ±2*	projection ⊕	mm
			TOLERANCES UNLESS OTHERWISE SPECIFIED		Scale	
Dr	D LEGRAND	02.09.12	ANGULAR	0.x ±Y	size	A3
Eng	P NIZZI	03.09.24	LINEAR	0.xx ±Y	5:1	
Chr	D LEGRAND	03.09.24	0° ±Y*	0.xxx ±Y	ECN	F06-0242
Appr	P NIZZI	03.09.24	Product family	MODULAR JACK	Spec ref	-
FCI			title VERTICAL SMT 4 POSITIONS		catalog no	98431
			98431-XX(LF)		CUSTOMER	Rev. M

STATUS: Released sheet 2 of 2 Printed: Oct 01, 2010