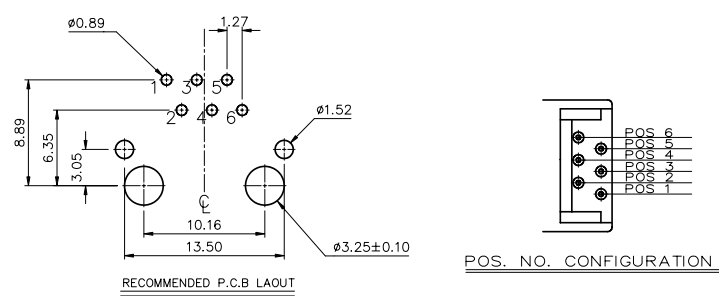
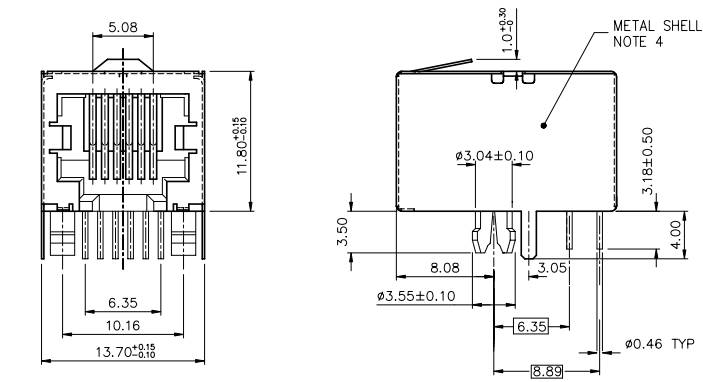
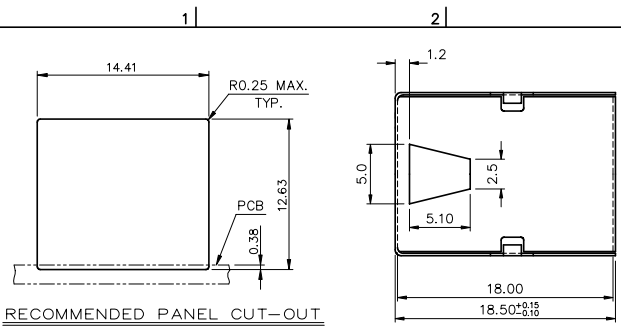


Tous droits strictement réservés. Reproduction ou communication à des tiers sans autorisation écrite du propriétaire.
 All rights strictly reserved. Reproduction or communication to third parties without written authority from the proprietor.
 Copyright BERG ELECTRONICS by

All rights strictly reserved. Reproduction or issue to third parties in any form or by any means without written authority from the proprietor.
 Copyright BERG ELECTRONICS by



PRODUCT NO	NUMBER OF POS.	LOADED POSITION	HSG COLOR	PLATING
61885-0661	6	ALL POS.	BLACK	30u" G.X.T.
61885-0641		2,3,4,5		
61885-0621		3,4		
61885-0661LF		ALL POS.		
61885-0641LF		2,3,4,5		
61885-0621LF		3,4		

LEAD FREE PRODUCT NO.

NOTES:

- RECOMMENDED P.C.B. THICKNESS 1.60 MM
- HOUSING MAT'L: NYLON 66, 25% GLASS REINFORCED, COLOR: SEE TABLE
- CONTACTS: PHOS BRONZE ALLOY UNS-C51000, Ø 0.460 ROUND WIRE, PLATING SEE TABLE.
- METAL SHELL MATERIAL: COPPER ALLOY, 0.20MM THICK. FINISH: FOR 61885-XXXX TIN-LEAD 100u" THICK. FOR 61885-XXXXLF PURE TIN 80u" THICK.
- PACKAGING PER GES-14-361, USING TUBE
- IF LF P/N THE PRODUCT MEETS EUROPEAN UNION DIRECTIVES AND OTHER COUNTRY REGULATIONS AS DESCRIBED IN GS-22-008
- IF LF P/N THE HOUSING WILL WITHSTAND EXPOSURE TO 260°C PEAK TEMPERATURE FOR 10 SECONDS IN A WAVE SOLDER APPLICATION WITH A 1.60mm MINIMUM THICK CIRCUIT BOARD
- IF LF P/N PACKAGING MEETS GS-14-920 SPECIFICATION

mat'l code				tolerance unless otherwise specified		CUSTOMER COPY	
rev.	ecn no.	dr	date	linear	.0 ± 0.25	projection	title
A	T70292	C	L	10/08/97	.00 ± 0.13	⊘	LOW PROFILE PCB III 6 POS MOD JACK, FULLY SHIELDED
B	T80057	CHN	02/11/98	angles	.000 ± 0.05		
C	T80510	M	W	11/18/98	± 2'		
D	T03-0443	W	L	10/08/03	dr	C M HSU 03/27/97	product family MOD JACK
E	N04-0125	YS	12/15/04	enqr	TONY CHIEN 03/27/97	unit	code
				chr	TONY CHIEN 03/27/97	mnm/inch	TWN
				appd	JENN TSAO 03/27/97	scale	sheet
sheet	revision			3 : 1		size	1 OF 1
index	sheet					dwg no.	
						61885	

PDM: Rev: E STATUS: Released Printed: Aug 01, 2010