

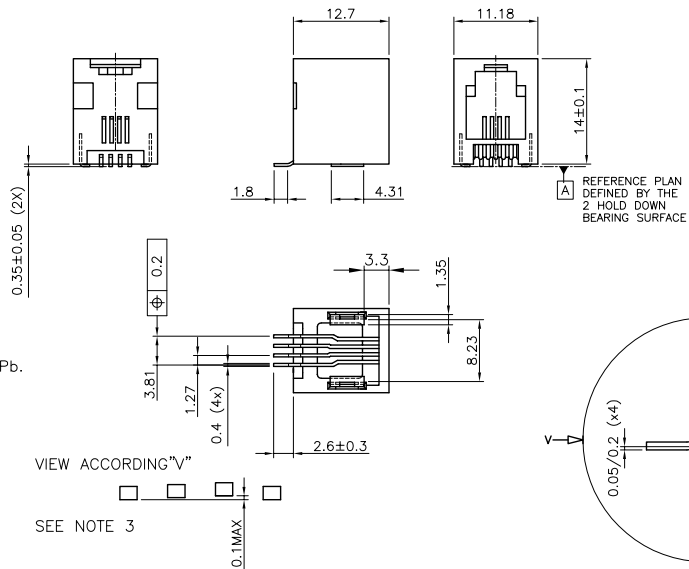
PRODUCT NUMBER
73327-XXXLF

PLATING OPTION	
1=	CXT 0.76 μm
3=	GOLD 0.76 μm
5=	GOLD 1.27 μm

PACKAGE OPTION	
1=	TAPE ON REEL
2=	TUBE
3=	TAPE ON REEL IN PLASTIC BAG

TERMINAL LOADING	
1=	FULLY LOADED

WHEN NEEDED, SUFFIX LETTER "LF"
INDICATES THE PRODUCT IS RoHS
COMPATIBLE, SEE NOTE 4.



NOTES:

- 1 - MATERIAL: HOUSING: HIGH TEMP. NYLON, COLOUR BLACK.
TERMINAL: PHOSPHOR BRONZE.
- 2 - PLATING: CONTACT AREA: SEE TABLE.
SOLDER TAIL : 90/10 SnPb 2 μm MIN.
WHEN SUFFIX "LF" IS REQUIRED, 2 μm MIN MATTE
TIN OVER 1.27 MIN Ni IS SUPPLIED INSTEAD OF SnPb.
NO RAW EDGES EXCEPT SOLDER TAIL TIPS
- 3 - SOLDER TAILS COPLANARITY : 0.1 mm
- 4 - RoHS COMPATIBLE PRODUCT SPECIFICATIONS
 - a - PLATING:
 - "LF" MEANS THE PRODUCT IS LEAD-FREE,
2 μm MINIMUM MATTE TIN OVER 1.27 μm
MINIMUM NICKEL UNDERPLATE.
 - b - MANUFACTURING PROCESS COMPATIBILITY
 - THE HOUSING WILL WITHSTAND EXPOSURE TO
245°C PEAK TEMPERATURE FOR 30 SECONDS
MAX IN A CONVECTION, INFRA-RED OR VAPOR
PHASE OR REFLOW OVEN.
 - c - LABELING:
 - MEETS PACKAGING SPECS AS PER GS-14-920
 - d - LEGAL STATEMENT: SEE GS-22-008
- 5 - PACKAGING FOR OPTION 3 : EACH REEL IS WRAPPED INTO A PLASTIC BAG
TO PROTECT FROM MOISTURE DURING STACKING TIME.

CUSTOMER COPY FOR REFERENCE ONLY

mat'l. code		surface		tolerance		projection		product family	
		ISO 1302		ISO 406 ISO 1101				MOD JACK	
Ltr	ecr no	dr	date	tolerances unless otherwise specified				title	
H	F05-0247	DLE	05.09.12	angles		mm		SMT RA JACK	
J	F06-0240	DLE	06.07.18	linear		±0.13		4 POS NARROW INSIDE	
K	F09-0070	LSA	02.07.21	±2°		F09-0070		scale 2:1	
		dr	D LEGRAND	04.10.18				dwg no	
E	F90120	DLE	99.02.01	engr		P NIZZI		sheet 1 of 3	
F	F03020	DLE	03.01.27	chr		D LEGRAND		73327	
G	F04-0363	DLE	04.10.18	app		P NZ		A3	
sheet		revision		K F B		type		CUSTOMER Drawing	
index		sheet		1 2 3					

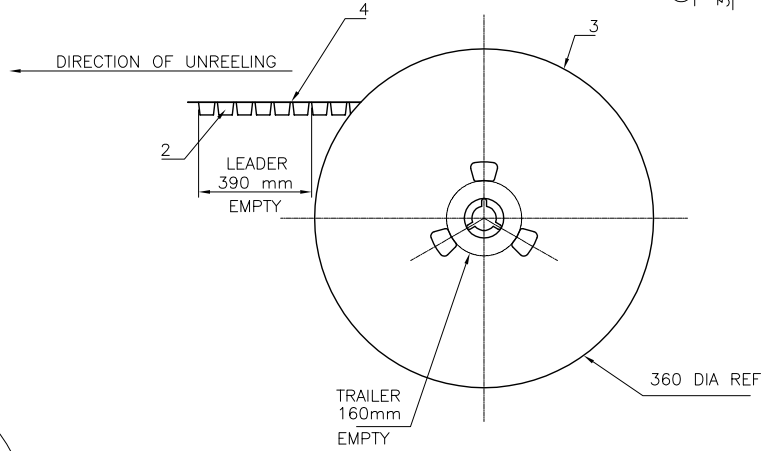
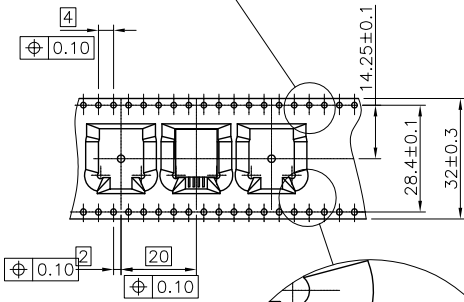
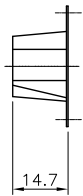
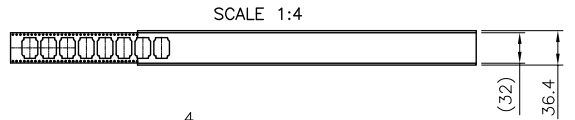
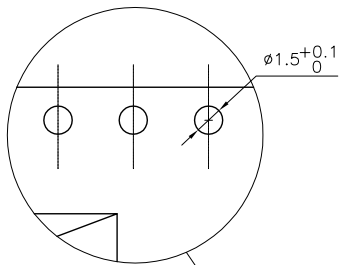
PDM: Rev:K

STATUS Released

Printed: Oct 01, 2010

PRODUCT NUMBER
SEE SHEET 1

LTR	PART NAME	QTY
1	PRODUCT	280
2	TAPE	1
3	REEL	1
4	COVER TAPE	1



1- IN ACCORDANCE WITH EIA-481 AND IEC 296-3

CUSTOMER COPY FOR REFERENCE ONLY										
mat'l. code		surface		tolerance		projection		product family		
		ISO 1302		ISO 406 ISO 1101		mm		MOD-JACK		
Ltr	ecn no	dr	date	tolerances unless otherwise specified		mm		title		
E	F90120	DLE	99.02.01					SMT RA JACK		
F	F06-0240	DLE	06.07.18	angles	linear	scale 1:1		4 POS. NARROW INSIDE		
								dwg no		
								73327		
								sheet 2 of 3		
								A3		
								type		
								CUSTOMER Drawing		
sheet index	revision sheet									

PDM: Rev:K

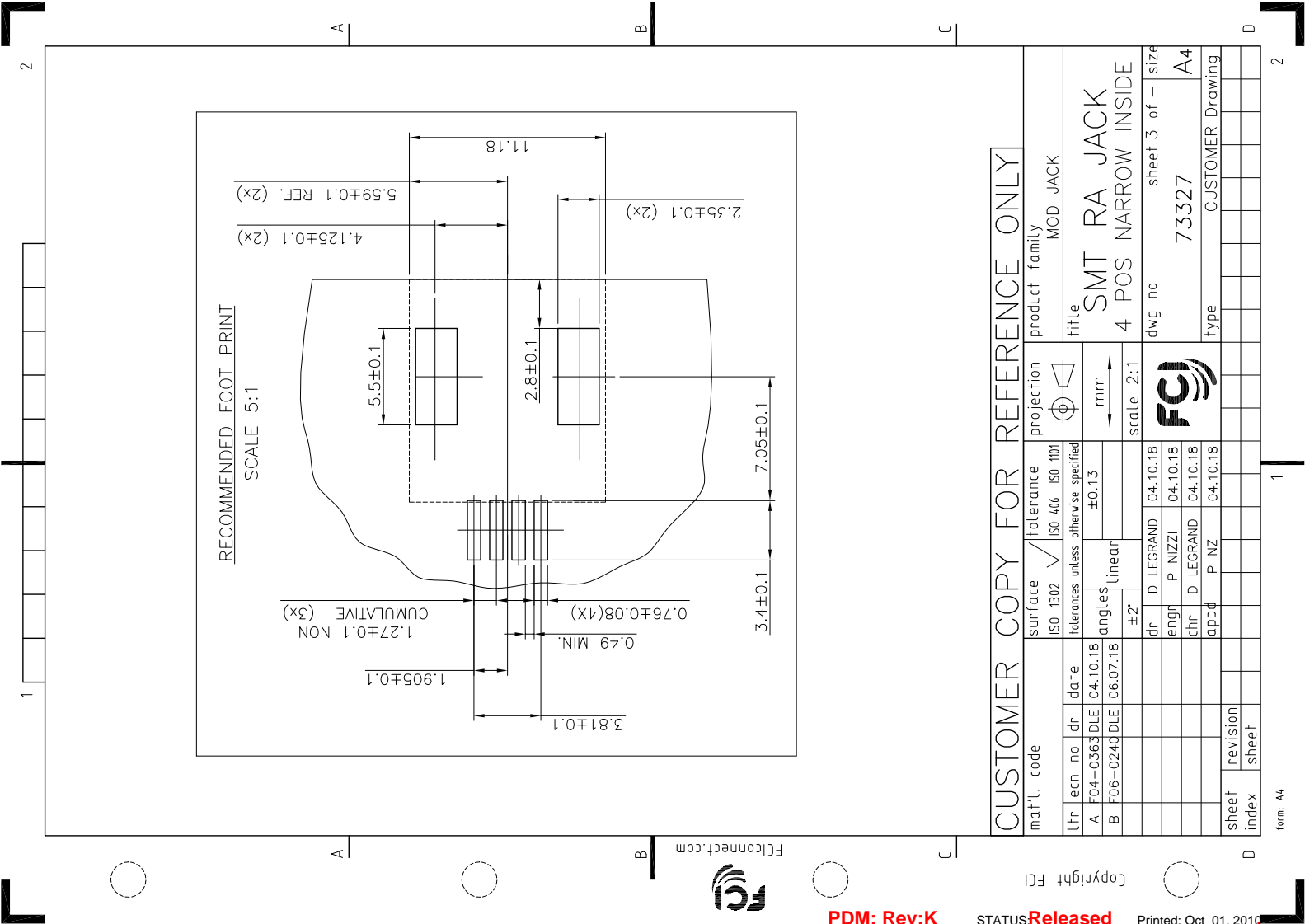
STATUS Released

Printed: Oct 01, 2010



Copyright FCI

form: A3



CUSTOMER COPY FOR REFERENCE ONLY

mat'l. code		surface	tolerance	projection	product family
		ISO 1302	ISO 406 ISO 101		MOD JACK
ltr	ecn no	dr	date	tolerances unless otherwise specified	title
A	F04-0363	DLE	04.10.18	±0.13	SMT RA JACK
B	F06-024Q	DLE	06.07.18	linear	4 POS NARROW INSIDE
		angles	±2°	mm	scale 2:1
		dr	D LEGRAND 04.10.18	sheet 3 of 3 size	
		engr	P NIZZI 04.10.18	73327	
		chr	D LEGRAND 04.10.18	A4	
		appr	P NZ 04.10.18	CUSTOMER Drawing	
Sheet	revision				
Index	sheet				



PDM: Rev:K

STATUS Released

Printed: Oct 01, 2010

form: A4