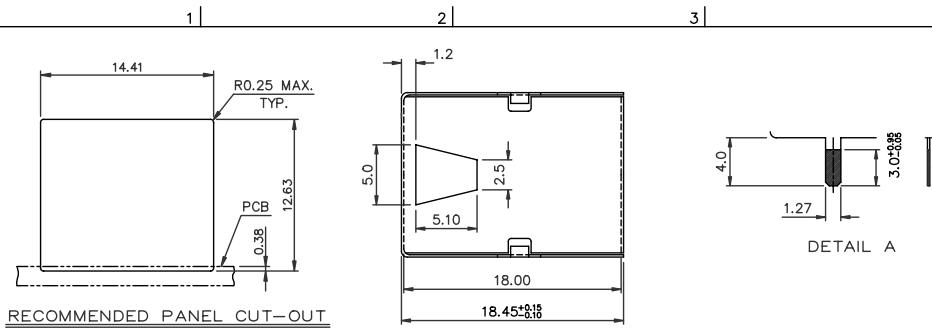
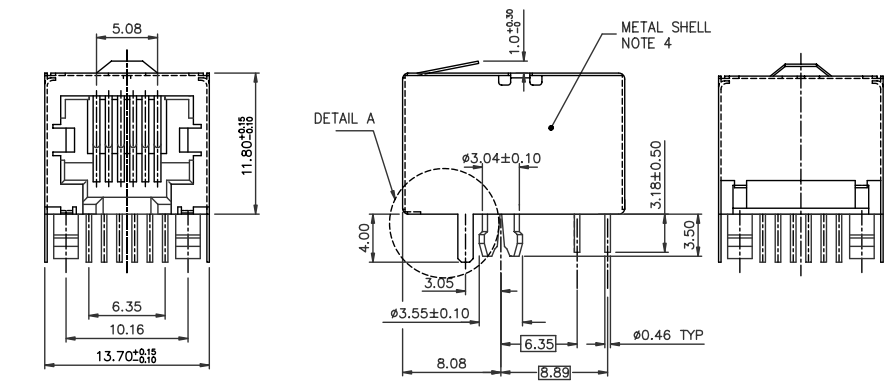


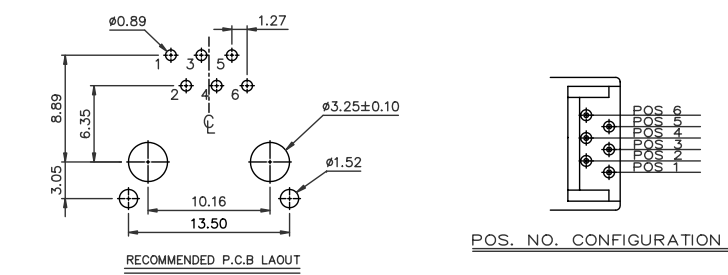
Tous droits strictement réservés. Reproduction ou communication à des tiers sans autorisation écrite du propriétaire.
 All rights strictly reserved. Reproduction or issue to third parties in any form without written authority from the proprietor.
 Copyright BERG ELECTRONICS by


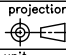


- NOTES:
1. RECOMMENDED P.C.B. THICKNESS 1.60 MM
 2. HOUSING MAT'L: NYLON 66, 25% GLASS REINFORCED, COLOR: SEE TABLE
 3. CONTACTS: PHOS BRONZE ALLOY UNS-C51000, Ø 0.460 ROUND WIRE, PLATING SEE TABLE.
 4. METAL SHELL MATERIAL: COPPER ALLOY, 0.20MM THICK. FINISH: FOR 74543-XXXX TIN-LEAD 100u" THICK FOR 74543-XXXXLF PURE TIN 80u" THICK FOR 74543-XXXXNLF 1.27µm/50µ" MINIMUM NICKEL PLATING WITH TIN DIPPED BY MANUAL ON THE SOLDER TAIL. SEE THE DETAIL A
 5. PACKAGING PER GS-14-361, USING TUBE
 6. IF LF P/N THE PRODUCT MEETS EUROPEAN UNION DIRECTIVES AND OTHER COUNTRY REGULATIONS AS DESCRIBED IN GS-22-008
 7. IF LF P/N THE HOUSING WILL WITHSTAND EXPOSURE TO 260°C PEAK TEMPERATURE FOR 10 SECONDS IN A WAVE SOLDER APPLICATION WITH A 1.60mm MINIMUM THICK CIRCUIT BOARD
 8. IF LF P/N PACKAGING MEETS GS-14-920 SPECIFICATION



PRODUCT NO	NUMBER OF POS.	LOADED POSITION	HSG COLOR	PLATING
74543-3661	6	ALL POS.	BLACK	30 v" AU
74543-5661		ALL POS.		50 v" AU
74543-0641		2,3,4,5		30 v" G.X.T.
74543-0661		ALL POS.		30 v" G.X.T.
74543-0661LF		ALL POS.		30 v" G.X.T.
74543-3661LF		ALL POS.		30 v" AU
74543-5661LF		ALL POS.		50 v" AU
74543-0641LF		2,3,4,5		30 v" G.X.T.
74543-3661NLF		ALL POS.		30 " AU
74543-5661NLF		ALL POS.		50 " AU
74543-0641NLF		2,3,4,5		30 v" G.X.T.



mat'l code		tolerance unless otherwise specified		CUSTOMER COPY		 www.fcjconnect.com	
rev.	ecn no.	dr	date	linear	.0 ± 0.25	projection	title
A	T80057	new	02/11/98		.00 ± 0.13		LOW PROFILE PCB III 6 POS
B	T80510	W	11/18/98		.000 ± 0.05		MOD JACK, FULLY SHIELDED
C	T03-2443	W	10/06/03	angles	± 2°		
D	N04-0125	YS	12/15/04	dr	CATHY LIN 01/16/98	unit	product family MOD JACK code
E	N0-0305	WG	12/12/06	enrg	TONY CHIEN 01/16/98	mm/inch	TWN
F	N07-0215	WG	09/07/07	chr	TONY CHIEN 01/16/98	scale	size dwg no. sheet
G	N08-0052	SH	03/25/08	appd	JENN TSAO 01/16/98	3 : 1	A3 74543 1 OF 1
sheet	revisor	F					
index	sheet	1					