

Datasheet  
Modular Plugs and Jacks Overview

Modular Plugs and

[ Home > Products > Jacks > Datasheet ]

# 43860-0011

Modular Jack, Right Angle, Low Profile, Inverted, Shielded, All Panel Grounding Tabs, Lightpipes, 6/6

[View all parts in series 43860](#)
[2D Dimensions](#)
[Email this page](#)
[Samples](#)
[Buy](#)

Status	Active
Access Level	Internet
Component	PCB Jack
Ports	1
Positions / Loaded Contacts	6/6
Orientation	Right Angle (Side Entry)
Inverted / Top Latch	Yes
Product Name	RJ11
Performance Category	3
Shielded	Yes
Shielding Effectiveness	20 dB min.
Lightpipes/LEDs	Lightpipes

**MOUNTING**

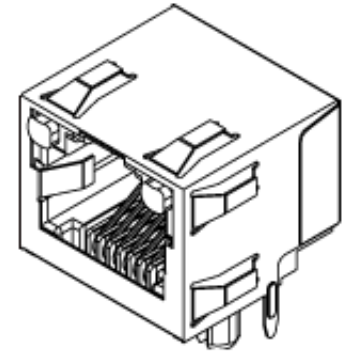
Profile	Low
Grounding to Panel	All Panel Ground Tabs
Grounding to PCB	Rear Position PCB Ground Tab
PCB Mounting	Through Hole
Surface Mount Compatible (SMC)	No
PCB Retention	Snap-In Plastic Peg
PCB Thickness	1.6mm (.062")

**PHYSICAL**

Contact	Phosphor Bronze (CuSn)
Plating Contact	1.3µm (50µ") Gold (Au)
Plating Tail	2.5µm (100µ") Tin (Sn)
Under Plating	Nickel (Ni)
Packaging	Tray
Housing Material	PA Polyamide (Nylon), High Temperature, Glass-filled
Color	Black
Flammability	UL 94V-0
Comment	Lightpipes will withstand soldering temperature of 160 degrees C
Durability (mating cycles) min.	500 cycles

**ELECTRICAL**

Current-max [amps]	1.5A
Voltage-max [volts]	125V
Withstanding Voltage	1000V AC
Contact Resistance [ohms]	20 milliohms max.
Insulation Resistance [ohms]	500 Megohms min.



**This part is  
ELV and RoHS  
COMPLIANT**

ENVIRONMENT	
RoHS Compliant	Yes
Lead-free Process Capability Tested	No
Lead-free Process Capability	Wave Capable (TH only)

**Features and Benefits**

- Lightpipes offer lower electrical noise than LED jacks
- 100% electrically tested for hi-pot and continuity
- Inverted plug latch on top for easy insertion and extraction
- Mating contacts on bottom of inverted jack provide shorter leads to reduce electrical noise
- Lightpipes require 33% fewer PC tails than LED jacks
- Tabs on shield provide enhanced grounding to panel

REFERENCE

UL File Number	E107635
CSA File Number	LR149880
Mates With	FCC 68 Plugs
Temperature Range	-40°C to +70°C
MX01 Catalog Page	O-38
Product Specification	PS-43860-003
Overview	Molex Products[4390]
Circuits / Positions	6
Loaded Contacts	6
Universal Service Order Code	RJ11
Pitch / Center Spacing	1.02mm (.040")
Molex Series	43860
Marketing Series	43860p
Last Changed Date	2005-05
Product Management	Hirsch, Marty
Lab Office	UCP

2D DRAWING - For reference only. See technical [Drawing \(PDF\)](#) for design-in purposes.

