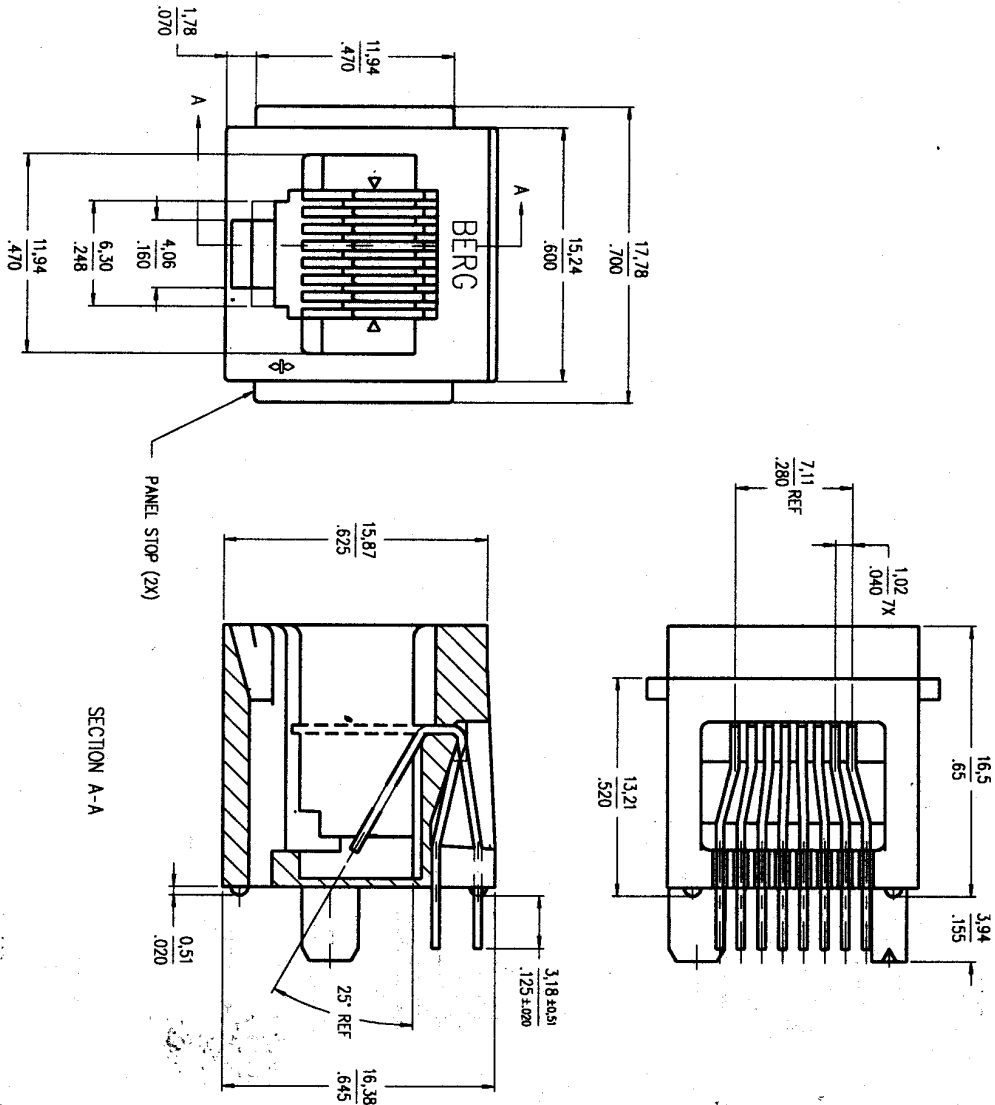
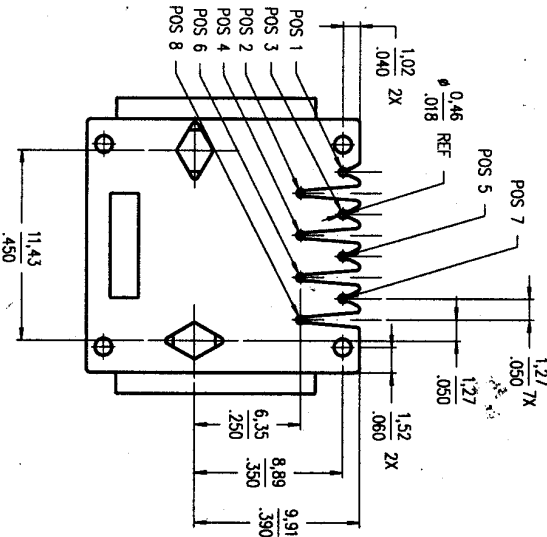




PRODUCT NO.  
SEE TABLE



SECTION A-A



Form No. 7330-001-103

1

2

3

| REV | DATE     | DESCRIPTION          | BY | CHKD |
|-----|----------|----------------------|----|------|
| 1   | 11/29/90 | INITIAL DESIGN       |    |      |
| 2   | 11/29/90 | REVISED TO ADD POS 8 |    |      |
| 3   | 11/29/90 | REVISED TO ADD POS 7 |    |      |
| 4   | 11/29/90 | REVISED TO ADD POS 6 |    |      |
| 5   | 11/29/90 | REVISED TO ADD POS 5 |    |      |
| 6   | 11/29/90 | REVISED TO ADD POS 4 |    |      |
| 7   | 11/29/90 | REVISED TO ADD POS 3 |    |      |
| 8   | 11/29/90 | REVISED TO ADD POS 2 |    |      |
| 9   | 11/29/90 | REVISED TO ADD POS 1 |    |      |

| REV | DATE     | DESCRIPTION          | BY | CHKD |
|-----|----------|----------------------|----|------|
| 1   | 11/29/90 | INITIAL DESIGN       |    |      |
| 2   | 11/29/90 | REVISED TO ADD POS 8 |    |      |
| 3   | 11/29/90 | REVISED TO ADD POS 7 |    |      |
| 4   | 11/29/90 | REVISED TO ADD POS 6 |    |      |
| 5   | 11/29/90 | REVISED TO ADD POS 5 |    |      |
| 6   | 11/29/90 | REVISED TO ADD POS 4 |    |      |
| 7   | 11/29/90 | REVISED TO ADD POS 3 |    |      |
| 8   | 11/29/90 | REVISED TO ADD POS 2 |    |      |
| 9   | 11/29/90 | REVISED TO ADD POS 1 |    |      |

| REV | DATE     | DESCRIPTION          | BY | CHKD |
|-----|----------|----------------------|----|------|
| 1   | 11/29/90 | INITIAL DESIGN       |    |      |
| 2   | 11/29/90 | REVISED TO ADD POS 8 |    |      |
| 3   | 11/29/90 | REVISED TO ADD POS 7 |    |      |
| 4   | 11/29/90 | REVISED TO ADD POS 6 |    |      |
| 5   | 11/29/90 | REVISED TO ADD POS 5 |    |      |
| 6   | 11/29/90 | REVISED TO ADD POS 4 |    |      |
| 7   | 11/29/90 | REVISED TO ADD POS 3 |    |      |
| 8   | 11/29/90 | REVISED TO ADD POS 2 |    |      |
| 9   | 11/29/90 | REVISED TO ADD POS 1 |    |      |

PDM: Rev:M

STATUS: Released

Phone: 281.2047



www.fciconnect.com  
 HIGH PROFILE 8 POS VERT.  
 P.C.B. MOD JACK ASSY

88785

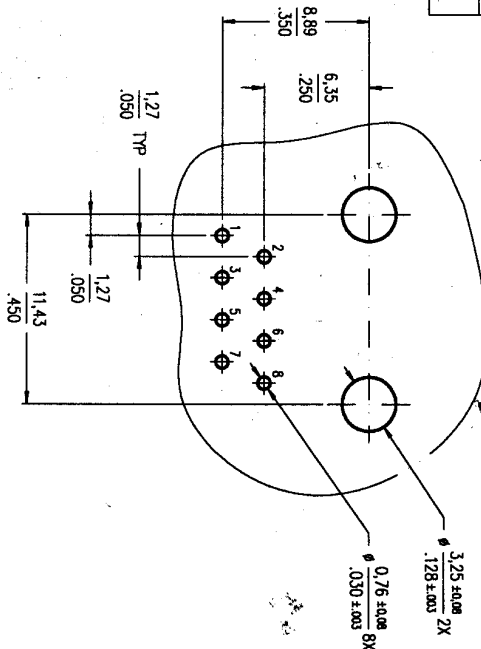
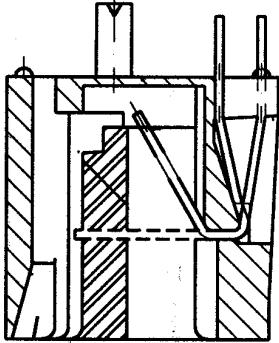
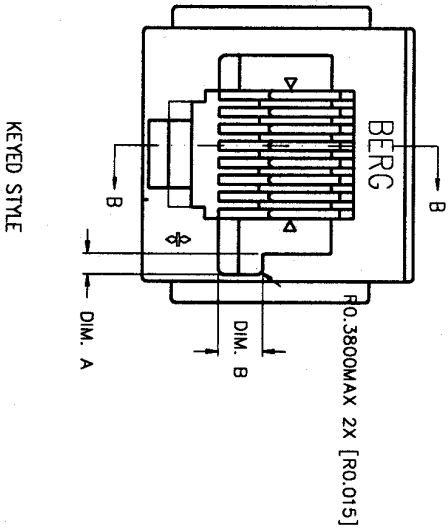


| PRODUCT NO. | DIM. A      | DIM. B      | STYLE   | POSITIONS LOADED | CONTACT PLATING  | NOTES      | COLOR | PANEL STOP |
|-------------|-------------|-------------|---------|------------------|------------------|------------|-------|------------|
| 88785-001   | -           | -           | UNKEYED | ALL              | 1,27um / 50u" Au | -          | BLACK | YES        |
| -001LF      | -           | -           | UNKEYED | ALL              | GXT              | -          | BLACK | YES        |
| -002        | -           | -           | UNKEYED | ALL              | GXT              | -          | BLACK | YES        |
| -002LF      | -           | -           | UNKEYED | ALL              | GXT              | -          | BLACK | YES        |
| -003        | 1,25 / .050 | 2,69 / .106 | KEYED   | ALL              | 1,27um / 50u" Au | NOT TOOLED | BLACK | YES        |
| -003LF      | 1,25 / .050 | 2,69 / .106 | KEYED   | ALL              | GXT              | NOT TOOLED | BLACK | YES        |
| -004        | 1,25 / .050 | 2,69 / .106 | KEYED   | ALL              | GXT              | -          | BLACK | YES        |
| -004LF      | 1,25 / .050 | 2,69 / .106 | KEYED   | ALL              | GXT              | -          | BLACK | YES        |
| -005P       | -           | -           | UNKEYED | ALL              | GXT              | -          | WHITE | YES        |
| -005PLF     | -           | -           | UNKEYED | ALL              | GXT              | -          | WHITE | YES        |
| -006P       | -           | -           | UNKEYED | ALL              | GXT              | -          | WHITE | NO         |
| -006PLF     | -           | -           | UNKEYED | ALL              | GXT              | -          | WHITE | NO         |
| -007        | -           | -           | UNKEYED | ALL              | GXT              | -          | BLACK | NO         |
| -007LF      | -           | -           | UNKEYED | ALL              | GXT              | -          | BLACK | NO         |

LEAD FREE PRODUCT NO.

NOTE :

- SPECIAL PACKAGING: (BUS-14-271)
- GXT IS 0,76um / 30u" MIN GXT WITH Au FLASH OVER  
1,27um / 50u" MIN NI.
- MATERIAL AND COLOUR DESCRIPTION.  
P/N WITH DASH 005P & 006P - POCAN B4235  
WHITE 01-028 (REF. RAL 1013)
- THIS PRODUCT MEETS EUROPEAN UNION DIRECTIVES AND OTHER COUNTRY REGULATIONS AS DESCRIBED IN GS-22-008
- IF LE P/N PACKAGING MEETS GS-14-920 SPECIFICATION
- THE HOUSING WILL WITHSTAND EXPOSURE TO 260°C PEAK TEMPERATURE FOR 5 SECONDS IN A WAVE SOLDER APPLICATION WITH A 1,57mm MINIMUM THICK CIRCUIT BOARD



Form no. 7530-001-103

1

2

3

| REV | DATE | DESCRIPTION | BY | CHKD |
|-----|------|-------------|----|------|
| B   |      |             |    |      |
| A   |      |             |    |      |

|               |  |
|---------------|--|
| Customer Code | 88785  |
| Product Name  | HIGH PROFILE 8 POS VERT P.C.B. MOD JACK ASSY |
| Product No.   | 88785  |
| Rev.          | A  |
| Scale         | 3.5:1  |
| Sheet         | 2 of 2                                       |

PDM: Rev:M STATUS: Released Printed: 2007 08 01



FCI ELECTRONICS