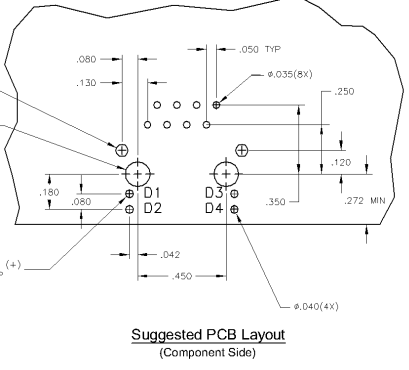
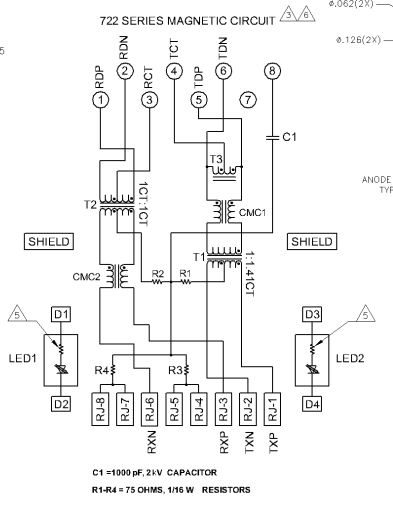
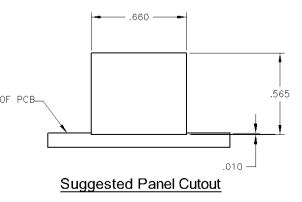
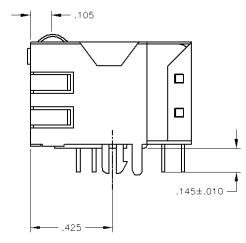
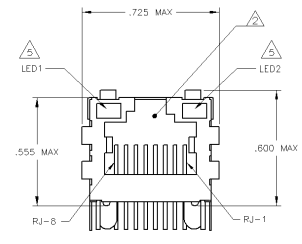
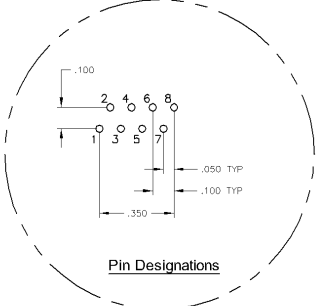
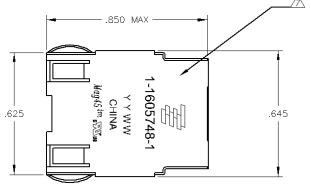


REV	DATE	REVISIONS	BY	CHK	APP
AA	22				
D1	REV PER ECO-08-02197				
D1	REV PER ECO-08-02197				

MECHANICAL:



- MATERIALS: HOUSING - THERMOPLASTIC PET POLYESTER FLAMMABILITY RATING UL 94V-0. SHIELD - .010" THICK C24800 BRASS PREPLATED WITH 80-150μm IN SEMI-BRIGHT NICKEL. POST-DIPPED WITH 100μm MIN TIN LEAD. MOD JACK CONTACTS - .8157" x .018" THICK PHOSPHOR BRONZE .50μm MIN OVERALL NICKEL UNDERPLATE WITH SELECT 50μm MIN HARD GOLD FINISH PLATE. SOLDERPALLE WITH 50μm MIN TIN LEAD FINISH PLATE. LIGHT EMITTING DIODE(LED) - DIFFUSED EPOXY LENS. 20° x 20° CARBON STEEL WIREFRAME LEADS PREPARED WITH 10μm MIN SILVER OVER 10μm MIN NICKEL UNDERPLATE OVER 20μm MIN COPPER UNDERPLATE. POST-PLATED WITH 30μm MIN THICK TIN LEAD.
- RJ45 JACK CAVITY CONFORMS TO FCC RULES AND REGULATIONS PART 68, SUB PART F.
- MAGNETICS: -APPLICATION: 10/100 BASE-T -IMPEDANCE: 100 OHMS -TURNING POINT (UNLABLEL): TX = 11, RX = 11 -OPEN CIRCUIT INDUCTANCE (OCL): 35μH MIN @ 100KHZ, 0 V RMS. -SWAVE: BIAS FROM 0° TO 70°, TX AND RX. -PERFORMANCE @ 25°C: INSERTION LOSS (IL) - 1.88 MAX FROM 0.5MHZ TO 100MHZ RETURN LOSS (RL) - 18.8 MIN FROM 0.5MHZ TO 300KHZ 10 - 24.00G/24.00 MIN FROM 30.1MHZ TO 400KHZ 10.8 MIN FROM 40.1MHZ TO 800KHZ CROSSTALK ATTENUATION - 35.8 MIN FROM 0.5MHZ TO 100KHZ 15 - 20.00G/15.00 MIN FROM 40.1MHZ TO 100KHZ COMMON MODE REJECTION RATIO (CMRR) - 30.8 MIN FROM 0.5MHZ TO 100KHZ -ISOLATION VOLTAGE: COMPLEX WITH IEEE802.3 2002, PARA 23.5.1.1 ITEM B FOR 5-1051B-15-1051B-16-1051B-1 COMPLEX WITH IEEE802.3af 2003, PARA 33.4.1, ITEM a FOR I-1605748-1 OPERATING TEMPERATURE: 0 °C TO 70 °C
- ALL DIMENSIONS NOMINAL UNLESS OTHERWISE NOTED.
- THE 250 OHM LED RESISTORS ARE OPTIONAL. PLEASE SEE CHART FOR PRESENCE OR ABSENCE OF LED RESISTORS. IF THE LED WITHOUT 250 OHM RESISTORS, LED IS DRIVEN WITH CONSTANT CURRENT AT APPROX 20mA. LED COLOR: DOMINANT WAVELENGTH (λD): GREEN 568 nm TYP. - IF 20mA FORWARD VOLTAGE (VF): GREEN 2.2V TYP. - IF 20mA DOMINANT WAVELENGTH (λD): YELLOW 588 nm TYP. - IF 20mA FORWARD VOLTAGE (VF): YELLOW 2.7V TYP. - IF 20mA IF THE LED WITH 250 OHM RESISTORS, LED IS DRIVEN WITH 5V VOLTAGE AND THE MAX OPERATING CURRENT IS 20mA. LED COLOR: DOMINANT WAVELENGTH (λD): GREEN 568 nm TYP. - VF=5V FORWARD CURRENT (IF): GREEN 12 mA TYP. - VF=5V DOMINANT WAVELENGTH (λD): YELLOW 588 nm TYP. - VF=5V FORWARD CURRENT (IF): YELLOW 15 mA TYP. - VF=5V
- INDICATED CONNECTIONS ARE FOR IEC CONFIGURATION. THE MAGNETICS ARE ASYMMETRICAL, AND DO NOT SUPPORT AUTO-MDM/DMX.
- TYCO ELECTRONICS LOGO, PART NUMBER, DATE CODE, COUNTRY OF ORIGIN AND AGENCY APPROVAL MARKING IN APPROXIMATE LOCATION SHOWN.
- THESE PARTS ARE RECOMMENDED FOR WAVE SOLDERING PROCESS. PREHEAT TEMPERATURE IS 120°C TO 160°C, 10 SECONDS TO 180 SECONDS. PEAK WAVE SOLDERING TEMPERATURE IS 240°C. MAX 10 SEC MAX.
- OBsolete PARTS: OBSOLETE CIS STREAMLINING PER D.RENAUD/D.SINIS

OBsolete

YES	GREEN	YES	GREEN	NO	6-1605748-1
YES	YELLOW	NO	GREEN	NO	6-1605748-0
NO	GREEN	YES	YELLOW	YES	5-1605748-1
NO	GREEN	YES	GREEN	YES	1-1605748-1
NO	GREEN	YES	YELLOW	YES	1605748-1
DECOUPLING CAPACITOR	LED1	250 OHM RESISTOR	LED2	250 OHM RESISTOR	PART NUMBER

THIS DRAWING IS A CONTROLLED DOCUMENT:		REV		DATE		BY		CHK		APP	
DATE	REV	DATE	REV	DATE	REV	DATE	REV	DATE	REV	DATE	REV
108-2100											
100779											
1605748											