

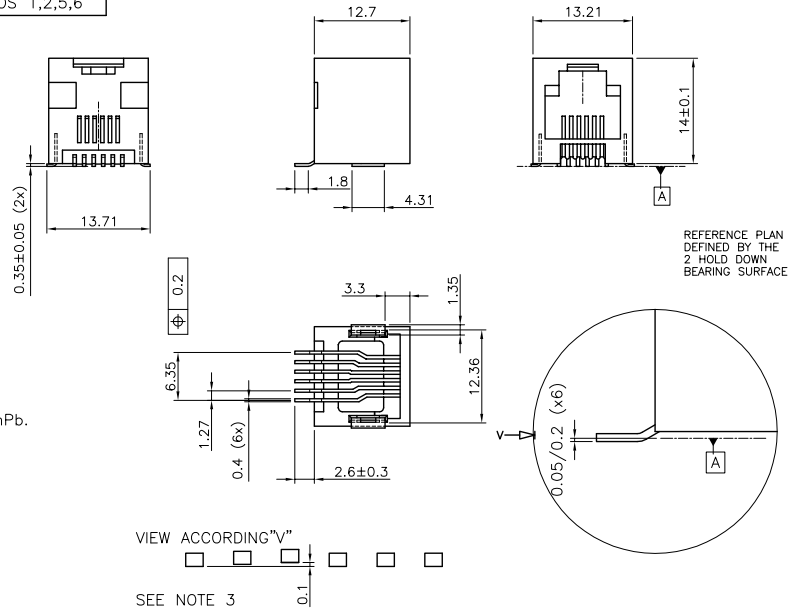
PRODUCT NUMBER
73305-XXXLF

PLATING OPTION
1= CXT 0.76 μm
3= GOLD 0.76 μm
5= GOLD 1.27 μm

PACKAGE OPTION
1= TAPE ON REEL
2= TUBE
3= TAPE ON REEL
IN PLASTIC BAG

TERMINAL LOADING
1= FULLY LOADED
2= POS 2,3,4,5
3= POS 1,2,5,6

WHEN NEEDED, SUFFIX LETTER "LF"
INDICATES THE PRODUCT IS RoHS
COMPATIBLE, SEE NOTE 4.



REFERENCE PLAN
DEFINED BY THE
2 HOLD DOWN
BEARING SURFACE

- NOTES:
- 1 - MATERIAL: HOUSING: HIGH TEMP. NYLON, COLOUR BLACK.
TERMINAL: PHOSPHOR BRONZE.
 - 2 - PLATING: CONTACT AREA: SEE TABLE.
SOLDER TAIL : 90/10 SnPb 2 μm MIN.
WHEN SUFFIX "LF" IS REQUIRED, 2 μm MIN MATTE
TIN OVER 1.27 MIN Ni IS SUPPLIED INSTEAD OF SnPb.
NO RAW EDGES EXCEPT SOLDER TAIL TIPS
 - 3 - SOLDER TAILS COPLANARITY : 0.1 mm
 - 4 - RoHS COMPATIBLE PRODUCT SPECIFICATIONS
 - a - PLATING:
 - "LF" MEANS THE PRODUCT IS LEAD-FREE,
2 μm MINIMUM MATTE TIN OVER 1.27 μm
MINIMUM NICKEL UNDERPLATE.
 - b - MANUFACTURING PROCESS COMPATIBILITY
 - THE HOUSING WILL WITHSTAND EXPOSURE TO
245°C PEAK TEMPERATURE FOR 30 SECONDS
MAX IN A CONVECTION, INFRA-RED OR VAPOR
PHASE OR REFLOW OVEN.
 - c - LABELING:
 - MEETS PACKAGING SPECS AS PER GS-14-920
 - d - LEGAL STATEMENT: SEE GS-22-008
 - 5 - PACKAGING FOR OPTION 3 : EACH REEL IS WRAPPED INTO A PLASTIC BAG
TO PROTECT FROM MOISTURE DURING STACKING TIME.

CUSTOMER COPY FOR REFERENCE ONLY									
mat'l. code		surface		tolerance		projection		product family	
		ISO 1302		ISO 406 ISO 1101		ISO 406 ISO 1101		MOD JACK	
Ltr	ec'n no	dr	date	tolerances unless otherwise specified		title			
H	F06-024Q	DLE	06.07.18	±0.13		SMT RA JACK			
J	F09-007Q	LSA	09.07.23	angles	linear	6 POS OUTSIDE			
				±2'		scale 2:1			
D	F80620	DLE	98.11.26	dr	D LEGRAND	04.10.18	dwg no		sheet 1 of 3
E	F03020	DLE	03.01.27	engd	P NIZZI	04.10.18	73305		A3
F	F04-0363	DLE	04.10.18	chr	D LEGRAND	04.10.18	type		CUSTOMER Drawing
G	F05-0247	DLE	05.09.12	appd	P.NZ	04.10.18			
sheet	revision	H	E	B					
index	sheet	1	2	3					

PDM: Rev:J STATUS Released Printed: Oct 01, 2010

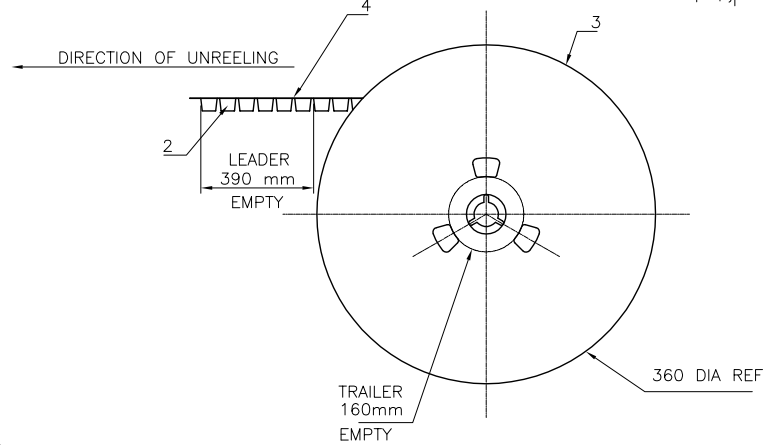
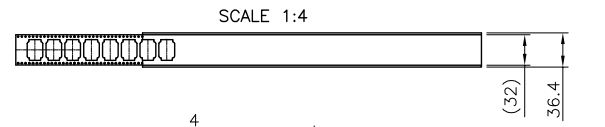
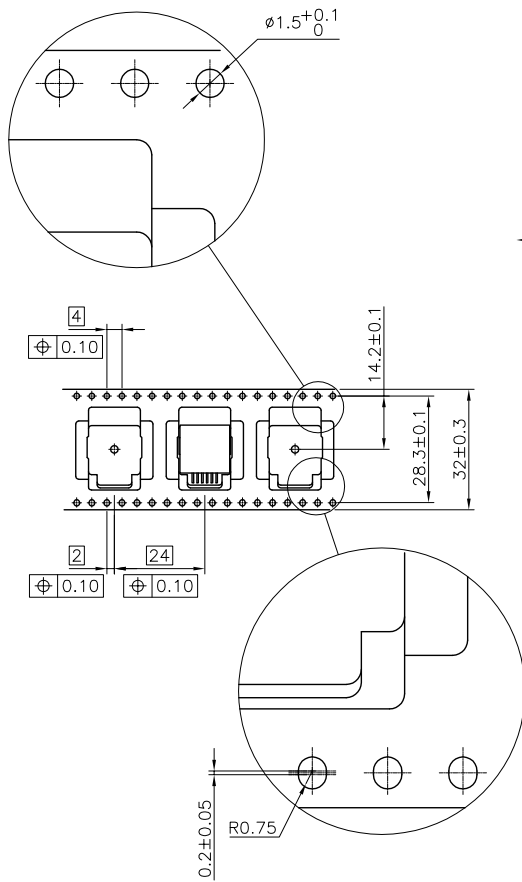


Copyright FCI

form: A3

PRODUCT NUMBER
SEE SHEET 1

LTR	PART NAME	QTY
1	PRODUCT	230
2	TAPE	1
3	REEL	1
4	COVER TAPE	1



1- IN ACCORDANCE WITH EIA-481 AND IEC 296-3

CUSTOMER COPY FOR REFERENCE ONLY									
mat'l. code		surface		tolerance		projection		product family	
		ISO 1302		ISO 406 ISO 1101		ISO 1101		MOD-JACK	
Ltr	ecm no	dr	date	tolerances unless otherwise specified		mm		title	
D	F80620	DLE	98.11.26					SMT RA JACK	
E	F06-0240	DLE	06.07.18	angles	linear	scale 1:1		6 POS. OUTSIDE	
		dr	D LEGRAND	06.07.18			dwg no		sheet 2 of 3
		engr	P NIZZI	06.07.18			73305		A3
		chr	D LE	06.07.18			type		CUSTOMER Drawing
		appd	P NZ	06.07.18					
sheet index	revision sheet								

FCI
FCIconnect.com
Copyright FCI

1

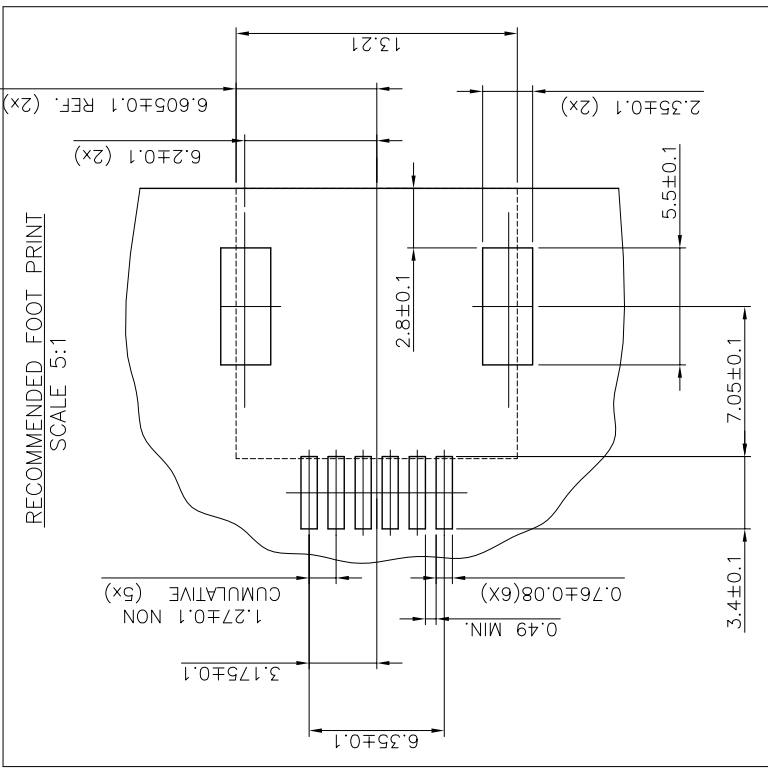
2

A

B

C

D



CUSTOMER COPY FOR REFERENCE ONLY

mat'l. code	surface	tolerance	projection	product family
	ISO 1302	ISO 406 ISO 101		MOD JACK
ltr	ecn no	date	tolerances unless otherwise specified	title
A	F04-0363	DLE 04.10.18	±0.13	SMT RA JACK
B	F06-024Q	DLE 06.07.18	linear	6 POS OUTSIDE
			angles	dwg no
			±2°	sheet 3 of 3
	dr	D LEGRAND	04.10.18	73305
	enfr	P NIZZI	04.10.18	A4
	chr	D LEGRAND	04.10.18	CUSTOMER Drawing
	appd	P NZ	04.10.18	
Sheet	revision			
index	sheet			

1

2

A

B

C

D

Fcconnect.com



Copyright FC

PDM: Rev:J

STATUS Released

Printed: Oct 01, 2010

form: A4