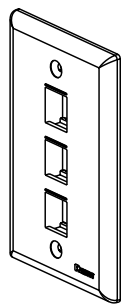
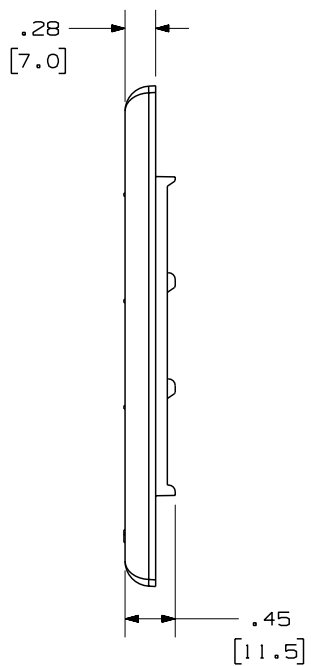
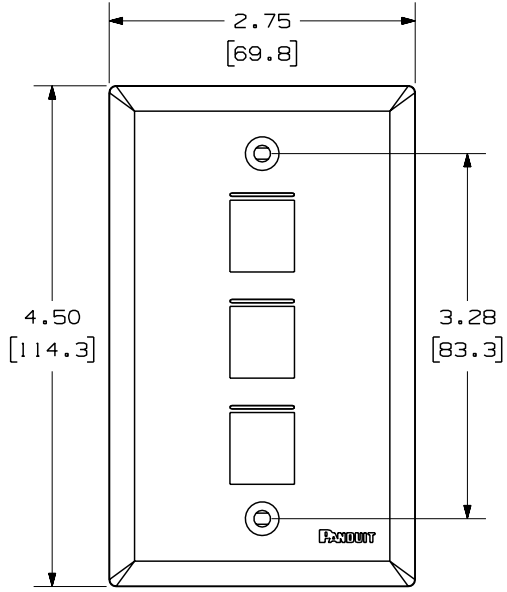


THIS COPY IS PROVIDED ON A RESTRICTED BASIS AND IS NOT TO BE USED IN ANY WAY DETRIMENTAL TO THE INTERESTS OF PANDUIT CORP.

PANDUIT P/N	WEIGHT
NK3FN**	.62 LB/10 PCS (279.2 g/10 PCS)



- NOTES:
- SEE CURRENT CATALOG FOR ADDITIONAL PART NUMBER SUFFIXES TO INDICATE COLOR AND OR PACKAGE QUANTITY.
 - SEE CATALOG FOR COMPLETE LIST OF PARTS APPLICABLE FOR USE WITH THIS PART.
 - DIMENSIONS IN PARENTHESES ARE IN METRIC.
 - PART INCLUDES:
 - FACEPLATE
 - COLOR COORDINATED MOUNTING SCREW (#6-32X 1.00")

MODEL FILENAME	M02332BA_NK3FN_01.PRT	SIZE	A
DRAWING FILENAME	M02332BA_DC_01A.PRT		

NETKEY™ 3 POSITION
VERTICAL CLASSIC SERIES
FACEPLATE CUSTOMER DRAWING

<p>PANDUIT™ CORP. TINLEY PARK, ILL 60477</p>	I.I. NUMBER	N/A
	PRODUCT SPEC	N/A
	WORK INSTRUCTION	N/A
	SCALE	NONE
<p>THIRD ANGLE PROJECTION</p>	<p>ALL DIMENSIONS ARE GIVEN IN INCHES, UNLESS OTHERWISE SPECIFIED. DIMENSIONAL TOLERANCES ARE: (.X) ± (XXX) ± .010(.3) (.XX) ± .031(.8) ANGLES ±</p>	
DRAWN BY JsP	REVIEW DRAWING NUMBERS	PART NO. NK3FN**
DATE 1-4-06	MATERIAL: ABS	DRAWING NO. 02332-02

REV	DATE	BY	CHK	DESCRIPTION	ECN	R	CUST	SUP	OTH
R	1-4-06	JsP		RELEASED TO PRODUCTION	02332-02				