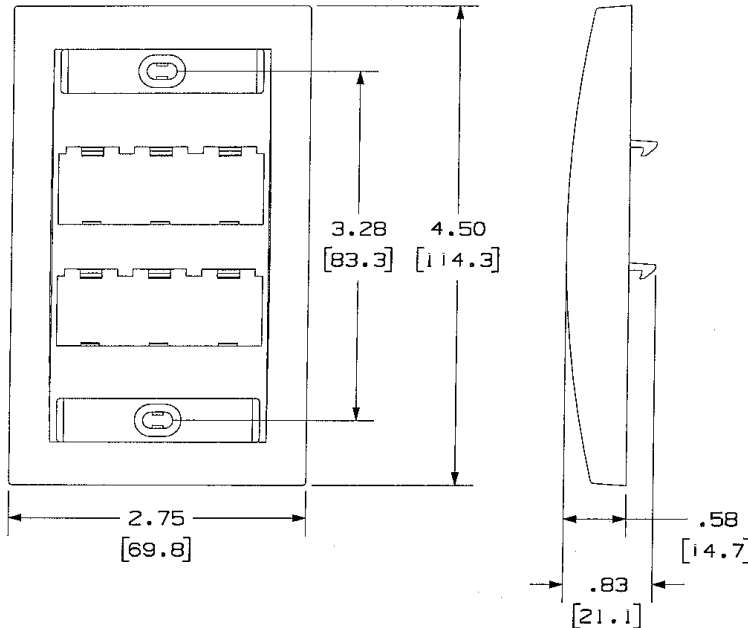


THIS COPY IS PROVIDED ON A RESTRICTED BASIS AND IS NOT TO BE USED IN ANY WAY DETRIMENTAL TO THE INTERESTS OF PANDUIT CORP.

PANDUIT P/N	WEIGHT
CFPE6**Y	.67 LB/10 PCS 303.9 g/10 PCS



NOTES:

- SEE CURRENT CATALOG FOR ADDITIONAL PART NUMBER SUFFIXES TO INDICATE COLOR AND OR PACKAGE QUANTITY.
- SEE CATALOG FOR COMPLETE LIST OF PARTS APPLICABLE FOR USE WITH THIS PART.
- DIMENSIONS IN ( ) ARE IN METRIC.
- PART INCLUDES:
  - FACEPLATE
  - LABEL
  - LABEL COVER
  - MOUNTING SCREW

NETWORK SYSTEMS  
MAY 25 2006  
ENGINEERING DEPT

DRAWING FILENAME	M02479EM_DC119_00A.PRT	SIZE	A
------------------	------------------------	------	---

MINI-COM 6 POSITION EXECUTIVE SERIES FACEPLATE CUSTOMER DRAWING

<p>PANDUIT<sup>TM</sup> TINLEY PARK, ILL 60477</p> <p>THIRD ANGLE PROJECTION</p> <p>DRAWN BY: JsP</p> <p>DATE: 4-26-06</p> <p>CHK'D: [Signature]</p>	I.I. NUMBER	N/A
	PRODUCT SPEC	N/A
	WORK INSTRUCTION	N/A
	SCALE	NONE
MATERIAL: ABS	PART NO.	CFPE6**Y
	DRAWING NO.	02479-119

REV	DATE	BY	CHK	DESCRIPTION	ECN	R	CUST	SUP	OTH
R	4-26-06	JsP	[Signature]	RELEASED TO PRODUCTION	02479-119				