

4

3

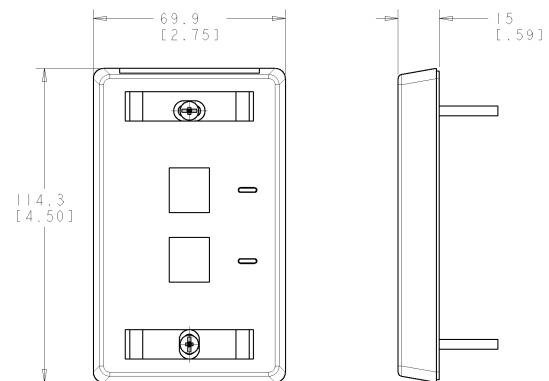
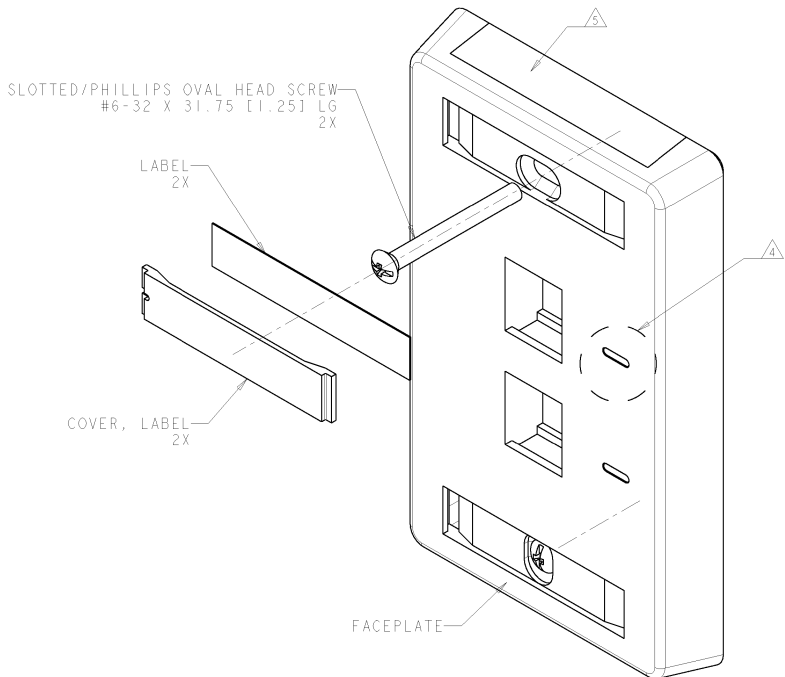
2

1

THIS DRAWING IS UNPUBLISHED. RELEASED FOR PUBLICATION BY TYCO ELECTRONICS CORPORATION. ALL RIGHTS RESERVED.

REV	DATE	BY	CHKD	DESCRIPTION
F	11-JUL-06	GG	GB	REDWN. REV: EC QB40-0152-02
G	27SEP2005	JW	GB	ECO-05-008931 AND REDRAWN
H	11JUL2004	JW	GB	ECO-04-012850

- △ DIMENSIONS ARE NOMINAL UNLESS OTHERWISE SPECIFIED.
- △ MATERIAL: FACEPLATE - ABS MOLDING COMPOUND. SEE TABLE FOR COLORS.
- SCREWS - ZINC PLATED CARBON STEEL.
- LABEL COVER - POLYCARBONATE MOLDING COMPOUND, CLEAR.
- LABEL - WHITE INDEX PAPER.
- 3. THIS KIT SHIPPED NOT ASSEMBLED.
- △ MOLD OVER ICON FEATURE, 2X.
- △ NON-TEXTURED AREA FOR LABEL, UP TO 9.65 [1.38] HIGH.



SCALE 1:1

ELECTRIC IVORY	1-57505-1
NEMA GRAY	57505-4
WHITE	57505-3
BLACK	57505-2
LIGHT ALMOND	57505-1
COLOR	PART NUMBER

<small>THIS DRAWING IS UNPUBLISHED. RELEASED FOR PUBLICATION BY TYCO ELECTRONICS CORPORATION. ALL RIGHTS RESERVED.</small>		DWN: G GARRETT CHK: G BOWMAN APPR: G BOWMAN	DATE: 11-JUL-06 DATE: 11-JUL-06 DATE: 11-JUL-06	<b>tyco</b> <b>Electronics</b> <small>Tyco Electronics          Harrisburg, PA 17105-3408</small>
DIMENSIONS: MM (INCHES)	DIMENSIONS: MM (INCHES)	PRODUCT SPEC: APPLICATION SPEC: 408-3282 WEIGHT:	PART NUMBER: <b>FACEPLATE KIT, 2 PORT, 110CONNECT</b>	SIZE: A2 CASE CODE: 100779 DRAWING NO: 57505
MATERIAL: △ FINISH: △	MATERIAL: △ FINISH: △	MATERIAL: △ FINISH: △	MATERIAL: △ FINISH: △	MATERIAL: △ FINISH: △
CUSTOMER DRAWING		SCALE: 2:1	SHEET: 1 OF 1	REV: H

AMP 1471-8 REV 31MAR2000  
PRO/ENGINEER DRAWING