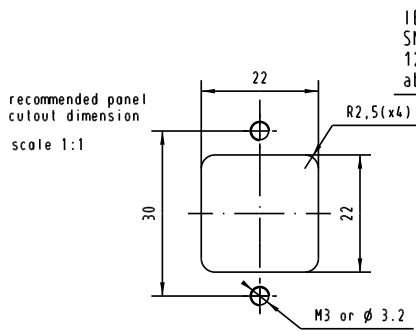
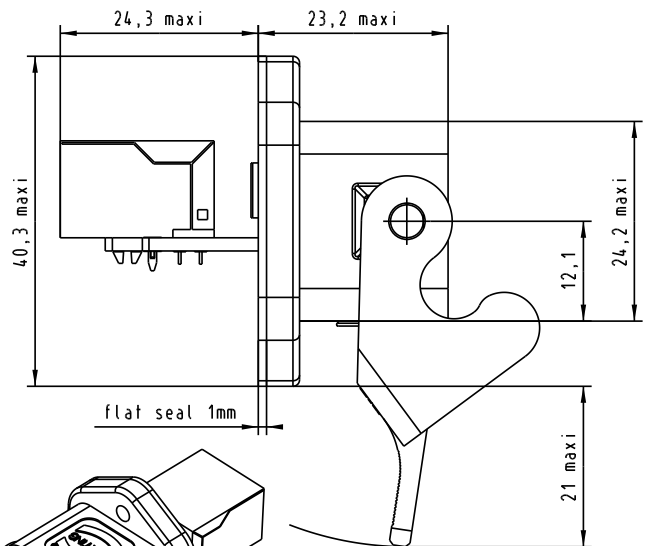
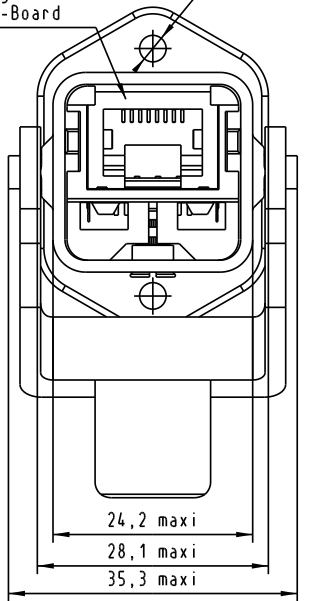


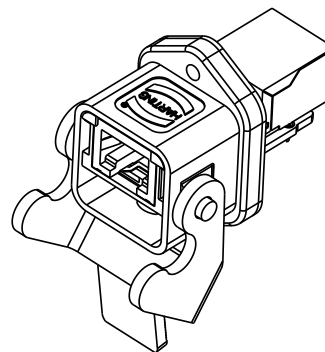
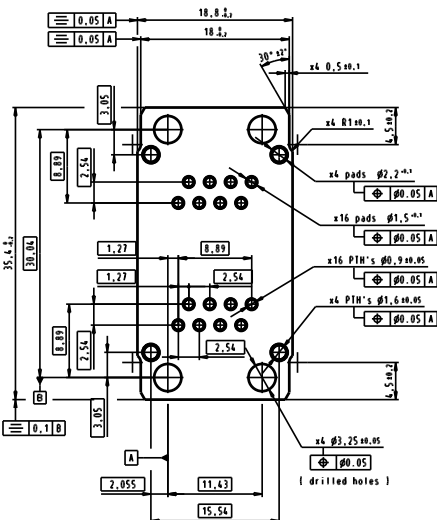
Alle Rechte vorbehalten/ All rights reserved





IEC 60603-7 SMC modular jack
12mm height above PC-Board
Ø3,4 maxi



recommended PC-Board layout (SMC) view components side



compatible with IEC 60076-3-106 variant 5 connectors pitches on panel
axis X = 36 mm
axis Y = 55 mm

| Mod. | Dat. | Name | Del. | Name | Logo | Part No. | Scale | |
|-------|-----------|------|-------------------------------|-----------|---|---|--|-------|
| | | | Detail. | 18-FEB-03 | PP |  All Dim. in mm Orig. Size DIN A 4 | RJ Industrial Han3A panel feed through with plastic housing IP67 - 8 data | |
| 33087 | 02-SEP-05 | JB | Insp. | | | | | 1,5:1 |
| 31909 | 27-MAY-04 | AC | Stand. | | | | | |
| | | | HARTING EURL F-95972 Paris | |  | TB09 45 225 11 00 | Blatt/ Page | |
| | | | | | | Sub. | 1/1 | |