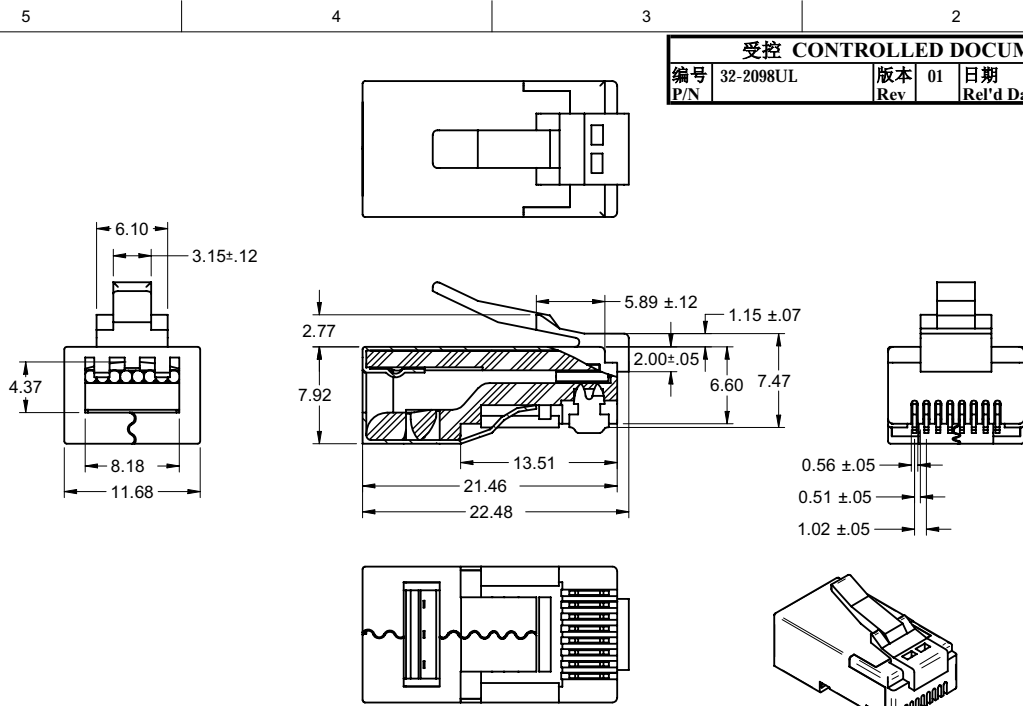


受控 CONTROLLED DOCUMENT					
编号 P/N	32-2098UL	版本 Rev	01	日期 Rel'd Date	May8,09

DRAWING NO. 32-2098UL

REVISIONS					
01	OFFICIAL RELEASE	T	W	F	THOMAS
04-24-09					THOMAS CHEN



NOTES:

1. ELECTRICAL SPECIFICATIONS

INSULATION RESISTANCE: 1000 MEGOHMS
WITHSTAND VOLTAGE: 1000V_{AC}/ MINUTE

2. MECHANICAL SPECIFICATIONS

CONTACT MATERIAL: PHOSPHOR BRONZE 0.3MM THICKNESS
CONTACT PLATING: 50 MICRO-INCH GOLD PLATE OVER 100 MICRO-INCH NICKEL PLATING

HOUSING MATERIAL: POLYCARBONATE
DURABILITY: 1000 CYCLES MIN
UL FLAMABILITY RATING: 94-V0

3. ENVIRONMENTAL SPECIFICATIONS

TEMPERATURE RANGE: -40 °C TO +70 °C

4. FOR FLAT OVAL OR ROUND CABLE

5. FOR SOLID OR STRANDED WIRE APPLICATIONS

THIS DRAWING TO BE INTERPRETED PER ANSI Y 14.5M - 1994

COMPANY CONFIDENTIAL

TOLERANCE UNLESS OTHERWISE SPECIFIED		DRAWN BY	DATE
DECIMALS	mm	TERRY.W	04-24-09
X	± 0.5	CHECKED BY	DATE
X.X	± 0.15	TERRY.W	04-24-09
X.XX	± 0.10	APPROVED BY	DATE
ANGLES	± 0.5°	THOMAS	04-24-09
		U/M:	mm

		Connectivity Solutions
TITLE		
RJ45 MOD PLUG SHIELDED,SOLID,U		
SHEET	DRAWING NO.	SIZE
1 OF 1	32-2098UL	C

THIS DRAWING WAS PRODUCED BY COMPUTER, DO NOT SCALE DRAWING OR UPDATE MANUALLY.