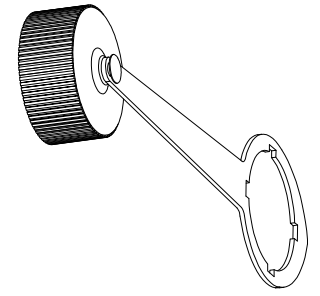
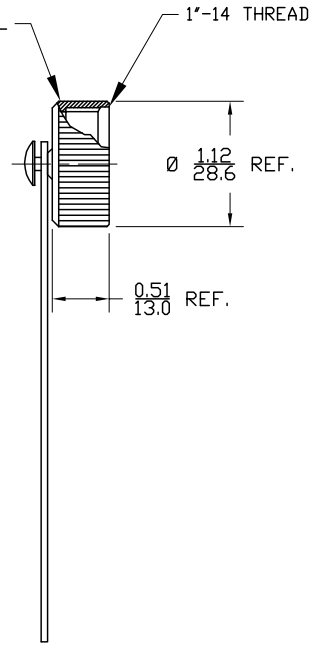
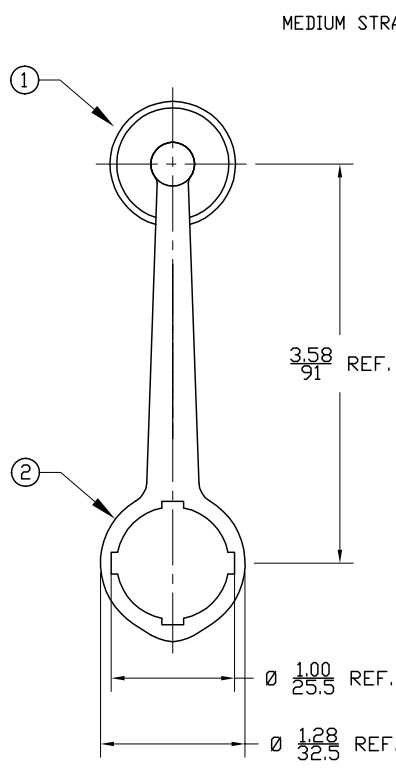


SAP P/N#	ENGINEERING NO.
1300580035	67-0300



- NOTES:
- 1) MATERIAL: SEE TABLE
  - 2) FINISHES: SEE TABLE
  - 3) ENVIRONMENTAL PROTECTION: IP67 U/V STABLE
  - 4) ASSEMBLY IS RoHS COMPLIANT.

ITEM	QTY.	DESCRIPTION	MATERIAL	FINISH
2	1	LANYARD	RUBBER	BLACK
1	1	CLOSURE CAP	NYLON	BLACK

SD RELEASE EC NO: WNA2010-0167 DRWN: BWOODMAN CHKD: — APPR: JFMURPHY 2009/09/11	QUALITY SYMBOLS	GENERAL TOLERANCES (UNLESS SPECIFIED)	DIMENSION STYLE	SCALE	DESIGN UNITS	THIRD ANGLE PROJECTION
	▽=0 ∇=0 C=0		INCH/MM	3:4	INCH	
REV	DESCRIPTION	4 PLACES ±--- ±---	DRAWN BY	DATE	TITLE	MATERIAL NO.
2		3 PLACES ±--- ±.005	VOU	2009/08/27	FEM RJLNXX CAP W/ LNYRD	
		2 PLACES ±--- ±.010	CHECKED BY	DATE		SHEET NO.
		1 PLACE ±--- ±.020	BWOODMAN	2009/08/31		
		ANGULAR ±1°	APPROVED BY	DATE	MOLEX INCORPORATED	
		DRAFT WHERE APPLICABLE MUST REMAIN WITHIN DIMENSIONS	JFMURPHY	2009/09/11	SD-130058-003	
			SEE CHART			
			SIZE A	THIS DRAWING CONTAINS INFORMATION THAT IS PROPRIETARY TO MOLEX INCORPORATED AND SHOULD NOT BE USED WITHOUT WRITTEN PERMISSION		

6 5 4 3 2 1

E D C B A

E D C B A

6 5 4 3 2 1