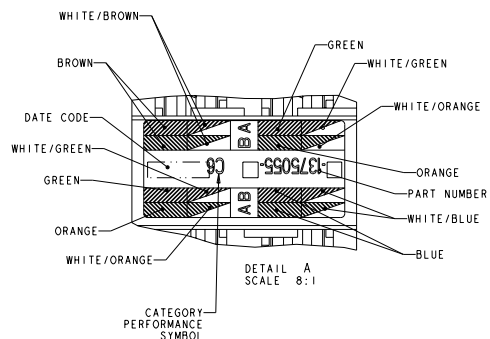
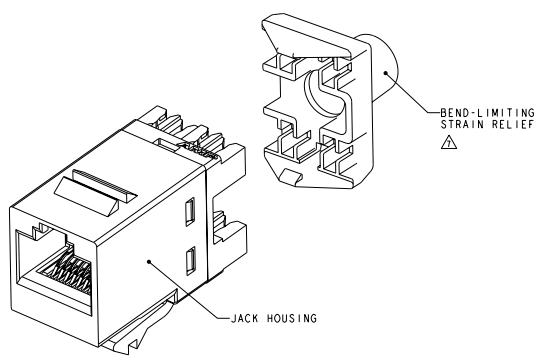
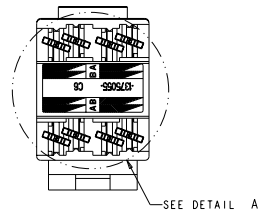
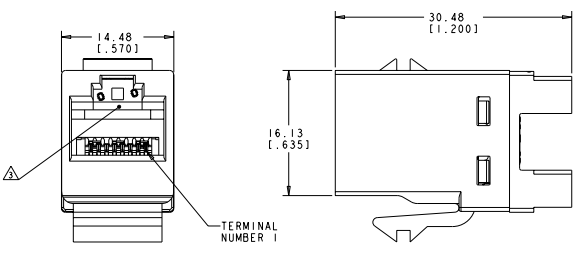


| REV | DATE | DESCRIPTION | BY | CHK | APP |
|-----|------|---------------------------|----|-----|-----|
| 00 | | | | | |
| 01 | | REVISED PER ECO-11-005033 | | | |

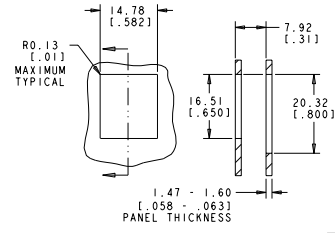
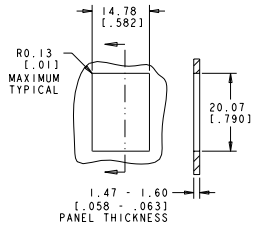


- △ MATERIAL: JACK HOUSING - POLYCARBONATE, 94V-0 RATED. 110 BLOCK AND BEND LIMITING STRAIN RELIEF - POLYCARBONATE. ARRAY TRAY - PBT POLYESTER. JACK CONTACTS ARRAY - BERYLLIUM COPPER, PLATED WITH 1.27µm (1.00050) MINIMUM THICK GOLD IN LOCALIZED AREA AND 3.81µm (1.00150) MINIMUM THICK MATTE TIN IN BOARD INTERFACE AREA OVER 1.27µm (1.00050) MINIMUM THICK NICKEL UNDERPLATE. IDC TERMINALS - PHOSPHOROUS BRONZE, PLATED WITH 3.81µm (1.00150) MINIMUM THICK MATTE TIN OVER 1.27µm (1.00050) MINIMUM THICK NICKEL UNDERPLATE.
- 2. SL 110 JACK WILL TERMINATE 22-24 AWG SOLID AND 24-26 AWG STRANDED CONDUCTORS. 1.27 (50) MAXIMUM INSULATION DIAMETER. JACK WILL ACCEPT CONDUCTORS UP TO 1.45 (1.03) BUT REQUIRE THE USE OF A STRAIN RELIEF.
- △ CAVITY CONFORMS TO FCC RULES AND REGULATIONS) PART 68 SUBPART F REQUIREMENTS.
- 4. MOUNTING PANEL THICKNESS 1.47 - 1.60 (.058 - .063).
- △ THESE TWO SUGGESTED CUTOUT OPENINGS ARE USED IN TANDEM WITH DUAL FRONT AND BACK CUTOUTS.
- △ ONE MODULAR JACK ASSEMBLY PER POLYBAG.
- △ USE IS OPTIONAL.
- △ TWENTY FIVE MODULAR JACKS PER POLYBAG.
- △ REFER TO 408-8858 FOR TERMINATION INSTRUCTIONS USING SL SERIES TOOL. TERMINATION, REFER TO 408-8417 FOR TERMINATION INSTRUCTIONS USING 110 PUNCH DOWN TOOL.



| COLOR CODE | IDC TERMINAL | MODULAR JACK |
|--------------|--------------|--------------|
| WHITE/BLUE | 5 | 5 |
| BLUE | 4 | 4 |
| WHITE/ORANGE | 3 | 3 |
| ORANGE | 2 | 2 |
| | | |
| WHITE/GREEN | 1 | 3 |
| GREEN | 2 | 2 |
| WHITE/BROWN | 7 | 7 |
| BROWN | 8 | 8 |

ELECTRICAL SCHEMATIC T56A



| PACKAGE | HOUSING COLOR | PART NUMBER |
|----------------|---------------|-------------|
| ALPINE WHITE | 3-1375055-3 | |
| ELECTRIC IVORY | 3-1375055-1 | |
| VIOLET | 3-1375055-0 | |
| GREEN | 2-1375055-9 | |
| YELLOW | 2-1375055-8 | |
| RED | 2-1375055-7 | |
| BLUE | 2-1375055-6 | |
| ORANGE | 2-1375055-5 | |
| NEMA GRAY | 2-1375055-4 | |
| WHITE | 2-1375055-3 | |
| BLACK | 2-1375055-2 | |
| LIGHT ALMOND | 2-1375055-1 | |
| ALPINE WHITE | 1-1375055-3 | |
| ELECTRIC IVORY | 1-1375055-1 | |
| VIOLET | 1-1375055-0 | |
| GREEN | 1375055-9 | |
| YELLOW | 1375055-8 | |
| RED | 1375055-7 | |
| BLUE | 1375055-6 | |
| ORANGE | 1375055-5 | |
| NEMA GRAY | 1375055-4 | |
| WHITE | 1375055-3 | |
| BLACK | 1375055-2 | |
| LIGHT ALMOND | 1375055-1 | |

THIS DRAWING IS A CONTROLLED DOCUMENT. DATE: 10/07/2001
 BY: JML/STP
 CHECKED: JML/STP
 APPROVED: JML/STP
 DRAWING NO: 100-1980-3
 TITLE: ASSEMBLY, SL 110 JACK, CAT 6
 STATE: CA
 CUSTOMER DRAWING: 00779-1375055
 SHEET: 6:1