

4

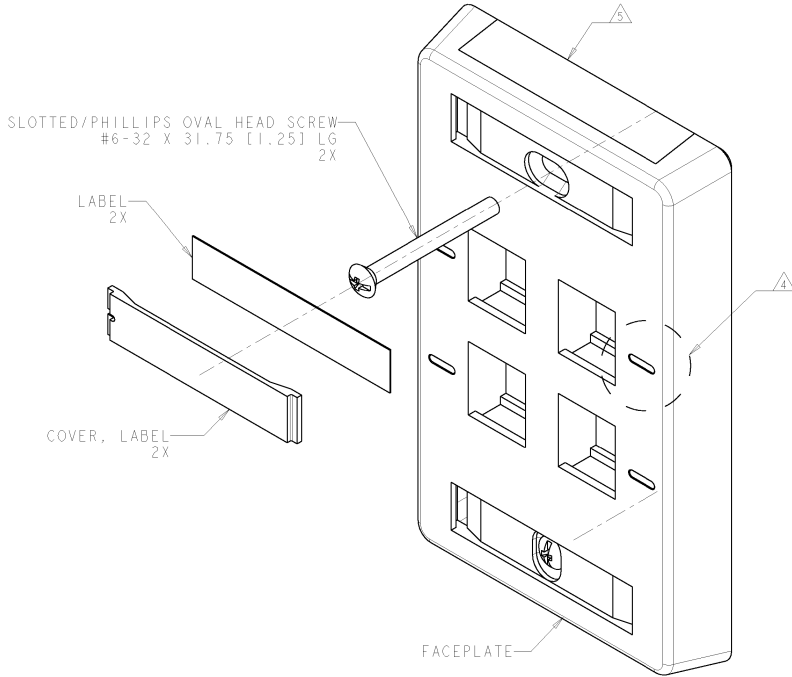
3

2

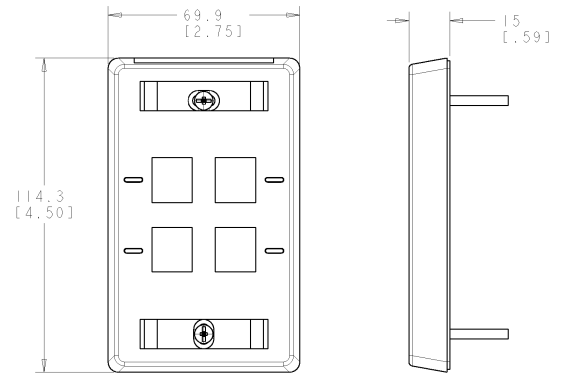
1

THIS DRAWING IS UNPUBLISHED. RELEASED FOR PUBLICATION BY TICO ELECTRONICS CORPORATION. ALL RIGHTS RESERVED.

REV	DATE	BY	CHKD	DESCRIPTION
E	11-JUL-06	GG	GB	REDWN, REV; EC QB40-0152-02
F	27SEP2005	JW	GB	ECO-05-008931 AND REDRAWN
G	11JUL2006	JW	GB	ECO-06-012850



- ⚠ DIMENSIONS ARE NOMINAL UNLESS OTHERWISE SPECIFIED.
- ⚠ MATERIAL:
FACEPLATE - ABS MOLDING COMPOUND. SEE TABLE FOR COLORS.
SCREWS - ZINC PLATED CARBON STEEL.
LABEL COVER - POLYCARBONATE MOLDING COMPOUND, CLEAR.
LABEL - WHITE INDEX PAPER.
- 3. THIS KIT SHIPPED NOT ASSEMBLED.
- ⚠ MOLD OVER ICON FEATURE, 4X.
- ⚠ NON-TEXTURED AREA FOR LABEL, UP TO 9.65 [1.38] HIGH.



COLOR	PART NUMBER
ELECTRIC IVORY	1-558088-1
NEMA GRAY	558088-4
WHITE	558088-3
BLACK	558088-2
LIGHT ALMOND	558088-1

DIMENSIONS: MM (INCHES)		DIMENSIONS: MM (INCHES)	DIMENSIONS: MM (INCHES)	DIMENSIONS: MM (INCHES)	DIMENSIONS: MM (INCHES)	DIMENSIONS: MM (INCHES)	DIMENSIONS: MM (INCHES)	DIMENSIONS: MM (INCHES)	DIMENSIONS: MM (INCHES)	DIMENSIONS: MM (INCHES)
DIMENSIONS: MM (INCHES)		DIMENSIONS: MM (INCHES)	DIMENSIONS: MM (INCHES)	DIMENSIONS: MM (INCHES)	DIMENSIONS: MM (INCHES)	DIMENSIONS: MM (INCHES)	DIMENSIONS: MM (INCHES)	DIMENSIONS: MM (INCHES)	DIMENSIONS: MM (INCHES)	DIMENSIONS: MM (INCHES)
DIMENSIONS: MM (INCHES)		DIMENSIONS: MM (INCHES)	DIMENSIONS: MM (INCHES)	DIMENSIONS: MM (INCHES)	DIMENSIONS: MM (INCHES)	DIMENSIONS: MM (INCHES)	DIMENSIONS: MM (INCHES)	DIMENSIONS: MM (INCHES)	DIMENSIONS: MM (INCHES)	DIMENSIONS: MM (INCHES)
DIMENSIONS: MM (INCHES)		DIMENSIONS: MM (INCHES)	DIMENSIONS: MM (INCHES)	DIMENSIONS: MM (INCHES)	DIMENSIONS: MM (INCHES)	DIMENSIONS: MM (INCHES)	DIMENSIONS: MM (INCHES)	DIMENSIONS: MM (INCHES)	DIMENSIONS: MM (INCHES)	DIMENSIONS: MM (INCHES)