

4

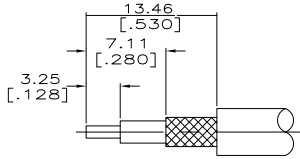
3

2

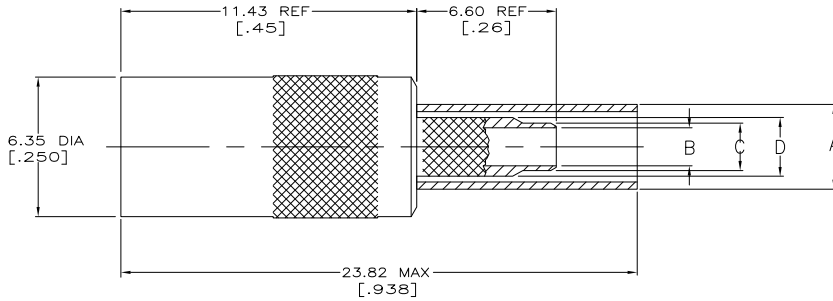
1

THIS DRAWING IS UNPUBLISHED. RELEASED FOR PUBLICATION. ALL RIGHTS RESERVED.

LOC	DIST	REVISIONS					
		F	LNK	DESCRIPTION	DATE	BY	APPD
AJ	16	M1		REVISED PER ECO-11-005030	11MAR11	RK	HMR



RECOMMENDED STRIP LENGTHS  
SCALE NTS



- MATERIALS:  
BODY...BRASS PER QQ-B-626  
INNER AND OUTER CONTACTS...  
BERYLLIUM COPPER PER QQ-C-533  
DIELECTRIC...TEFLON PER LP-403
- FINISH:  
BODY,CENTER AND OUTER CONTACTS...  
GOLD PER MIL-G-45204 OVER  
NICKEL PER QQ-N-290
- FINISH:  
BODY...NICKEL PER QQ-N-290 OVER  
COPPER PER MIL-C-14550  
CENTER AND OUTER CONTACTS...  
GOLD PER MIL-G-45204 OVER  
NICKEL PER QQ-N-290
- FINISH:  
BODY AND OUTER CONTACT...NICKEL  
PER QQ-N-290 OVER COPPER PER  
MIL-C-14550  
CENTER CONTACT...GOLD PER  
MIL-G-45204 OVER NICKEL PER  
QQ-N-290
- INTERFACE PER MIL-C-39012
- SEE I.S. SHEET 2987-12

	B	C	D	A	NOTES	CABLE	PART NO						
	B	58483-1	.128	HX4-1637	4	K699	2.64 [.104] 2.16 [.085] 1.70 [.067] 3.86 [.152]	△	RG 179,161,187	1-413985-2			
	B	58483-1	.128	HX4-1637	4	K699	2.64 [.104] 2.16 [.085] 1.70 [.067] 3.86 [.152]	△	RG 179,161,187	1-413985-1			
OBSOLETE	B	58483-1	.128	HX4-1637	4	K699	2.64 [.104] 2.16 [.085] 1.70 [.067] 3.86 [.152]	△	RG 179,161,187	1-413985-0			
	A	58483-1	.105	HX4-1637	4	K699	1.98 [.076] 1.37 [.055] 0.96 [.040] 3.86 [.152]	△	RG 178,196	413985-9			
	C	58483-1	.151	HX4-1637	4	K699	2.64 [.104] 2.16 [.085] 1.70 [.067] 4.54 [.179]	△	RG 174,188,316(ALL DBL SHIELDED)	413985-8			
	B	58483-1	.128	HX4-1637	4	K699	2.64 [.104] 2.16 [.085] 1.70 [.067] 3.86 [.152]	△	RG 174,188,316	413985-7			
	A	58483-1	.105	HX4-1637	4	K699	1.98 [.076] 1.37 [.055] 0.96 [.040] 3.86 [.152]	△	RG 178,196	413985-6			
OBSOLETE	A	58483-1	.105	HX4-1637	4	K699	1.98 [.076] 1.37 [.055] 0.96 [.040] 3.86 [.152]	△	RG 178,196	413985-5			
	C	58483-1	.151	HX4-1637	4	K699	2.64 [.104] 2.16 [.085] 1.70 [.067] 4.54 [.179]	△	RG 174,188,316(ALL DBL SHIELDED)	413985-4			
	B	58483-1	.128	HX4-1637	4	K699	2.64 [.104] 2.16 [.085] 1.70 [.067] 3.86 [.152]	△	RG 174,188,316	413985-3			
	C	58483-1	.151	HX4-1637	4	K699	2.64 [.104] 2.16 [.085] 1.70 [.067] 4.54 [.179]	△	RG 174,188,316(ALL DBL SHIELDED)	413985-2			
	B	58483-1	.128	HX4-1637	4	K699	2.64 [.104] 2.16 [.085] 1.70 [.067] 3.86 [.152]	△	RG 174,188,316	413985-1			
	POSITION LETTER	AMP DIE SET	HEX SIZE	DANIELS DIE SET	SELECTOR NUMBER	DANIELS POSITIONER	D DIA	C DIA	B DIA	A DIA	NOTES	CABLE	PART NO
		PRO-CRIMPER FOR BRAID CRIMP	M 22520/5-01 FOR BRAID CRIMP		M 22520/2-01 FOR CONTACT CRIMP								

TOOLING INFORMATION

THIS DRAWING IS A CONTROLLED DOCUMENT.

DRN	DL WERNER	16/AM/94
CHK	J McLEOD	16/AM/94
APP	J McLEOD	16/AM/94
NAME		

TE Connectivity

PLUG,STR CABLE,HEX CRIMP, OUTER FERRULE,CRIMP OR SOLDER CENTER CONTACT,SMB

SIZE ONE CODE DRAWING NO RESTRICTED TO

A2 00779 C=413985

CUSTOMER DRAWING SCALE 8:1 SHEET 1 of 1 REV M1