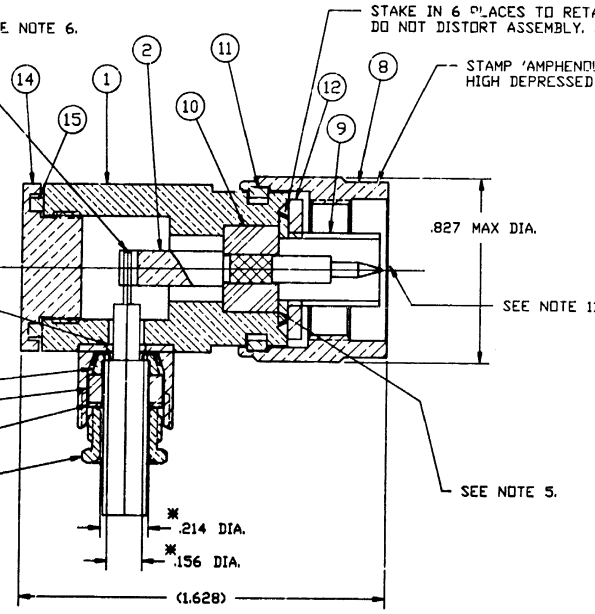
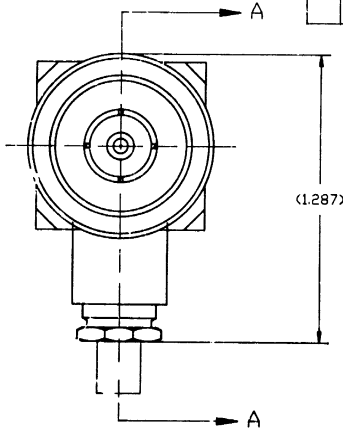


NOTE 6.



DO NOT SCALE THIS DRAWING



REVISIONS				
SYM	DESCRIPTION	DATE	E.C.O. NO.	APPR.
A	OFFICIAL ENG. RELEASE TO MFG.	4-16-92	8399	
V	REDRAWN ADDED NOTE 7 THRU 13. ADDED .827 DIA. ADDED CABLE ENTRY DIMS. STAKING NOTE WAS FORM OVER, CHANGED SILVER BRAZE NOTE.	6/9/92	38896	CPM
X	CHG'D. PLATE NOTE 3 REMOVED PLATE NOTE 4 & 7 ADDED PLATE LETTERS; 82-11449-H WAS 18754; REMOVED 8552 REMOVED NOTE 1.	7/8/92	39297	CPM D/R

SECTION A-A

18750
DRAWING NUMBER ISSUE
X

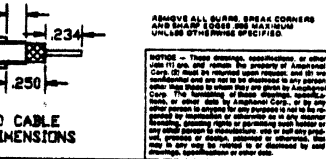
SIMILAR TO 18750-1001 AND 25850.
PLATING MUST CONFORM TO AMPHENOL SPEC. 349-50560.
CONTACT IS SILVER PLATED, ALL OTHER METAL PARTS ARE ASTROPLATED (REF).

STAKE LIGHTLY TO PREVENT ROTATION OF INSULATOR AND CONTACT IN BODY, ITEM 1.
POSITION CONTACT SO SLOT IS IN LINE WITH CLAMP BODY CENTERLINE, ITEM 13. CONTACT MUST WITHSTAND A TORQUE OF 2 IN-OZ.

PARENTHESIS INDICATES REFERENCE DIMENSION.
PACKAGE THIS CONNECTOR IN BAG 999-226.
ITEMS 4, 5, 6, 14 & 15, ARE SHIPPED LOOSE. HAND ASSEMBLE ITEM 3 TO ITEM 1 - 13 BODY SUB-ASSY. LEAVE IN PLACE FOR PACKAGE.
PACKAGE IN BAG 999-226.

MUST CONFORM TO AMPHENOL SPEC. 349-50551, SECTION 911.
ASTERISK (*) INDICATES CABLE ENTRY DIMS.
ITEM 9 MUST NOT ROTATE UNDER FINGER PRESSURE AND MUST RESIST A 25 LB. PUSH OUT FORCE.

PART NO.	QUAN	UOM	DESCRIPTION	CODE	FINISH
82-1535-19	1		15 CAP GASKET		
6880 H	1		14 CAP		SEE NOTE 3
	1		13		
82-1535-17	1		12 GASKET		
82-1138-8	1		11 SPRING RING		
82-970-1	1		10 INSULATOR		
82-2849 H	1		9 OUTER CONTACT		SEE NOTE 3
82-2153-6H	1		8 COUPLING NUT		SEE NOTE 3
			7		
82-946-14H	1		6 CLAMP WASHER		SEE NOTE 3
31-931	1		5 CLAMP GASKET		
31-932 H	1		4 BRAID CLAMP		SEE NOTE 3
31-983-3H	1		3 CLAMP NUT		SEE NOTE 3
18753-F	1		2 MALE CONTACT		SEE NOTE 3
82-11449-H	1		1 BODY S/A		SEE NOTE 3



NEXT ASSY	USED ON	UNLESS OTHERWISE SPECIFIED DIMENSIONS ARE IN INCHES TOLERANCES NOT OTHERWISE SPECIFIED ARE:
		2 PLACES DECIMAL .010
		3 PLACES DECIMAL .005
		ANGLES 1°
		1.288 .001
		16.267 .001

DRAWN BY	DATE	TITLE
CPM	4-27-92	
D. ROYCE	4-28-92	
D. ROYCE	4-28-92	
Z. KAMINSKI	6/4/92	
1 V/D INSKT	5/21/92	

LIST OF MATERIAL	Amphenol Corporation
'N' ANGLE PLUG FOR RG-58/U CABLE	RF/Microwave Operations Danbury, Conn. U.S.A.
74868 C 18750	SCALE 3:1 SHEET OF X