

4

3

2

1

THIS DRAWING IS UNPUBLISHED.

RELEASED FOR PUBLICATION APRIL, 2004.

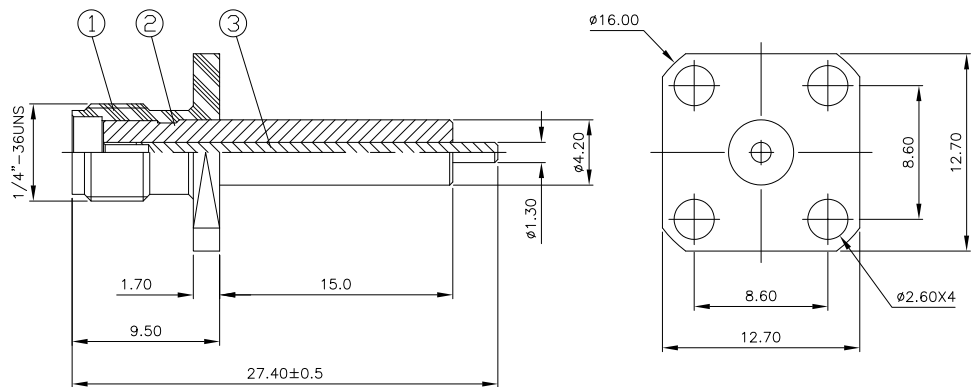
COPYRIGHT 2004 By -

ALL RIGHTS RESERVED.

LOC	DIST	REVISIONS			
P	LTR	DESCRIPTION	DATE	DWN	APVD
	A1	REVISED PER ECO-11-005033	01APR11	RK	HMR

NOTES:

- 1 SINGLE PACK IN ACCORDANCE WITH SPEC 107-3275
- 2 100 TRAY PACK IN ACCORDANCE WITH SPEC 107-3275
- 3 0.08 μ m Au PLATING OVER 1.27 μ m Ni PLATING
- 4 0.08 μ m Au PLATING OVER 1.27 μ m Ni PLATING OVER 0.76 μ m Cu PLATING
- 5 0.76 μ m Au PLATING OVER 1.27 μ m Ni PLATING OVER 0.76 μ m Cu PLATING
- 6 PASSIVATED
- 7 WHITE BRONZE PLATING
- 8 FOR TECHNICAL DATA REFER TO YOUR LOCAL TE CONNECTIVITY SALES OFFICE
- 9 ALL DIMENSIONS ARE NOMINAL FOR REFERENCE ONLY UNLESS OTHERWISE STATED



1	1	1	1	1	1	1	1	1	BERYLLIUM COPPER	△ CENTER SOCKET	3
1	1	1	1	1	1	1	1	1	PTFE	INSULATOR	2
1	1	-	-	-	-	-	-	-	BRASS	△ BODY	1
-	-	1	1	-	-	-	-	-	BRASS	△ BODY	1
-	-	-	-	1	1	-	-	-	STAINLESS STEEL	△ BODY	1
-	-	-	-	-	-	1	1	1	STAINLESS STEEL	△ BODY	1
4--1	4--0	3--1	3--0	2--1	2--0	1--1	1--0		MATERIAL	DESCRIPTION	ITEM
△	△	△	△	△	△	△	△				

QUANTITY PER ASSY

PARTS LIST

THIS DRAWING IS A CONTROLLED DOCUMENT.		DWN R. SMITH 06FEB04	TE Connectivity	
DIMENSIONS: mm		CHK S. PARLOW 06FEB04		
TOLERANCES UNLESS OTHERWISE SPECIFIED:		APVD E. WHEELER-KING 06FEB04	NAME SMA PANEL SOCKET LAUNCHER, 4 HOLE FLANGE, EXTENDED DIELECTRIC, NON-CAPTIVE	
0 PLC ± -		PRODUCT SPEC	SIZE	
1 PLC ± -		APPLICATION SPEC	CAGE CODE	
2 PLC ± -		WEIGHT	DRAWING NO	
3 PLC ± -			RESTRICTED TO	
4 PLC ± -				
ANGLES ± -				
FINISH				
MATERIAL SEE TABLE			A3 00779 C-1478968	
		CUSTOMER DRAWING		SCALE 1:1 SHEET 1 OF 1 REV A1

1470-19 (3/11)