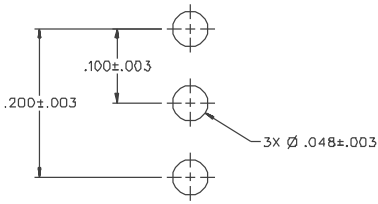
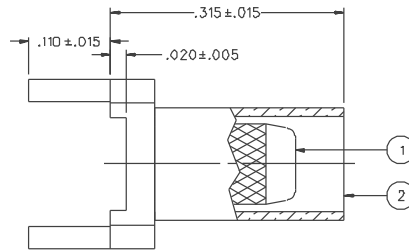
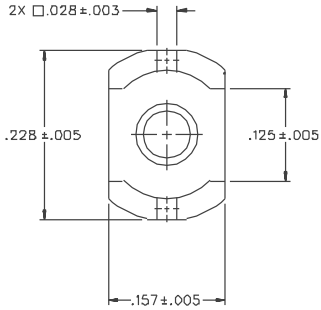
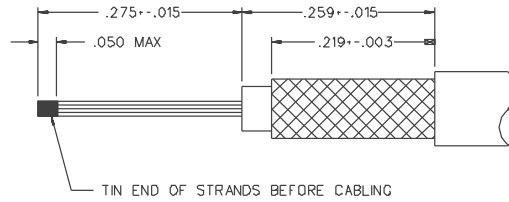


PART NUMBER	ITEM ① BODY	ITEM ② CRIMP SLEEVE
142-0003-241	BRASS GOLD PL .00001 MIN OVER NICKEL PL .00005 MIN OVER COPPER PL .00005 MIN	COPPER GOLD PL .00001 MIN OVER NICKEL PL .00005 MIN OVER COPPER PL .00005 MIN
142-0003-246	BRASS NICKEL PL .0001 MIN OVER COPPER PL .00005 MIN	COPPER NICKEL PL .0001 MIN OVER COPPER PL .00005 MIN

DRAWING NO.	
C - 142-0003-241/250	
0 REVISIONS	
ENGINEERING RELEASE	
1	9-9-94



MOUNTING HOLE LAYOUT



CABLE STRIP DIMENSIONS

CUSTOMER DRAWING

THIS DRAWING TO BE INTERPRETED
PER ANSI Y 14.5M - 1982

"μSTATION"

COMPANY CONFIDENTIAL

NOTES:

1. SPECIFICATIONS:

CABLE ACCEPTABILITY: RG 18B/U, RG 316/U, RG 181/U,
RG 174/U, RG 179/U, RG 187/U

CABLE HWY. CRIMP SIZE: .328
CABLE RETENTION: 20 LBS.
IMPEDANCE: 50 OHMS

TOLERANCE UNLESS OTHERWISE SPECIFIED		DRAWN BY	DATE	299 Johnson Ave. P.O. Box 1732 Waseca, MN 56093-0832
DECIMALS	mm	SWC	7-25-94	
.XXX		CHECKED BY	DATE	TITLE
				CABLE TERMINATION, STRAIGHT PC MOUNT, RG 316
MATL		APPROVED BY	DATE	CODE NO.
		SWC	9-9-94	DRAWING NO.
FINISH		APPROVED BY	DATE	C - 142-0003-241/250
		TAK/RJB	9-19-94	SCALE 10:1
		RELEASE DATE		U/M INCH
				SHEET 2 OF 2