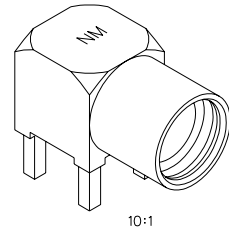
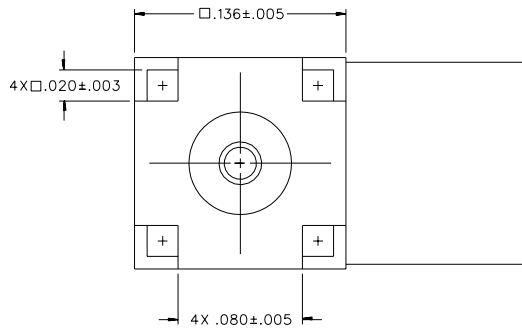
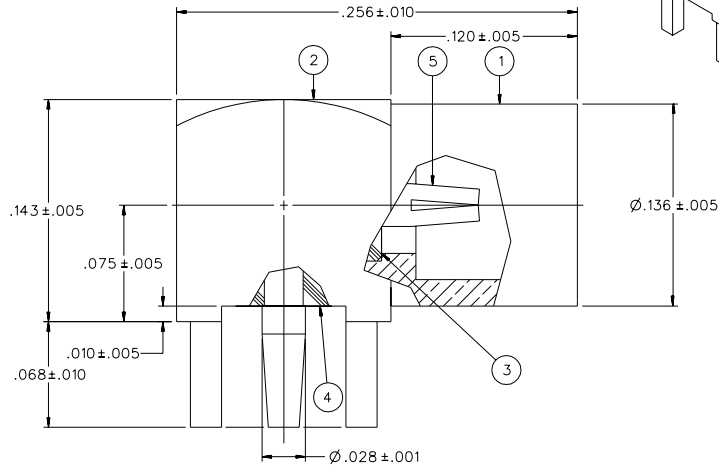
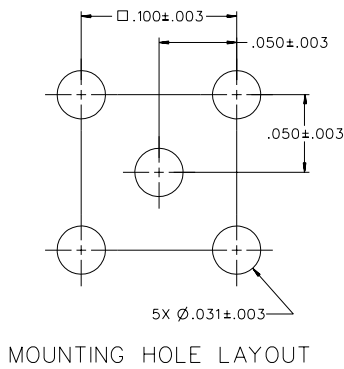


PART NUMBER	ITEM ① BODY	ITEM ② BASE	ITEM ③ INSULATOR TEFLON	ITEM ④ INSULATOR TEFLON	ITEM ⑤ CONTACT
135-9701-311	COPPER ALLOY GOLD PL .00005 MIN OVER COPPER PL .00005 MIN	COPPER ALLOY GOLD PL .00005 MIN OVER COPPER PL .00005 MIN			BERYLLIUM COPPER GOLD PL .00005 MIN OVER COPPER PL .00005 MIN



DRAWING NO. C - 135-9701-311/320	
0	REVISIONS
ENGINEERING RELEASE	
1	10-6-08 [Signature] 10-13-08 [Signature] 51659



NOTES:

1. SPECIFICATIONS:
- IMPEDANCE: 50 OHMS
 - FREQUENCY RANGE: 0-6 GHz
 - VSWR: NOT APPLICABLE
 - WORKING VOLTAGE: 170 VRMS MAX AT SEA LEVEL
 - DIELECTRIC WITHSTANDING VOLTAGE: 500 VRMS MIN AT SEA LEVEL
 - INSULATION RESISTANCE: 1000 MEGOHM MIN
 - CONTACT RESISTANCE:
 - CENTER CONTACT - INITIAL 5.0 MILLIOHM MAX, AFTER ENVIRONMENTAL 8.0 MILLIOHM MAX
 - OUTER CONDUCTOR - GOLD PLATED INITIAL 1 MILLIOHM MAX, AFTER ENVIRONMENTAL 1.5 MILLIOHM MAX
 - NICKEL PLATED INITIAL 2.5 MILLIOHM MAX, AFTER ENVIRONMENTAL 3.5 MILLIOHM MAX
 - BRAID TO BODY - NOT APPLICABLE
 - CORONA LEVEL: 190 VOLTS MINIMUM AT 70,000 FEET
 - INSERTION LOSS: NOT APPLICABLE
 - RF LEAKAGE: NOT APPLICABLE
 - RF HIGH POTENTIAL WITHSTANDING VOLTAGE: 400 VRMS AT 4 AND 7 MHZ
- MECHANICAL:
- ENGAGE/DISENGAGE FORCE: 8.0 LBS MAX ENGAGEMENT, 1.4 LBS MIN DISENGAGEMENT
 - CONTACT RETENTION FORCE: NOT APPLICABLE
 - CONTACT RETENTION TORQUE: NOT APPLICABLE
 - COUPLING MECHANISM RETENTION: NOT APPLICABLE
 - CABLE ACCEPTABILITY: NOT APPLICABLE
 - CABLE HEX CRIMP SIZE: NOT APPLICABLE
 - CABLE RETENTION: NOT APPLICABLE
 - DURABILITY: 500 CYCLES MIN
- ENVIRONMENTAL:
- (MEETS OR EXCEEDS THE APPLICABLE PARAGRAPH OF MIL-PRF-39012)
- THERMAL SHOCK: MIL-STD-202, METHOD 107, CONDITION C EXCEPT -55 DEG C TO 155 DEG C
 - OPERATING TEMPERATURE: -55 DEG C TO 155 DEG C
 - CORROSION: MIL-STD-202, METHOD 101, CONDITION B
 - SHOCK: MIL-STD-202, METHOD 213, CONDITION B
 - VIBRATION: MIL-STD-202, METHOD 204, CONDITION D
 - MOISTURE: MIL-STD-202, METHOD 106

CUSTOMER DRAWING

THIS DRAWING TO BE INTERPRETED PER ASME Y 14.5M - 1994

"μ STATION"

COMPANY CONFIDENTIAL

TOLERANCE UNLESS OTHERWISE SPECIFIED		DRAWN BY BTW	DATE 4-16-08	Connectivity Solutions P.O. Box 1732 Waseca, MN 56093 1-800-247-8256
DECIMALS	mm	CHECKED BY TJS	DATE 10-13-08	
.XXX	---	APPROVED BY TAK	DATE 10-13-08	TITLE ASSEMBLY JACK RIGHT ANGLE PC MOUNT NON-MAGNETIC MMCX
MATL	---	RELEASE DATE	10-13-08	SHEET 2 OF 2
FINISH	---	U/M	INCH	DRAWING NO. C - 135-9701-311/320
		SCALE	20:1	