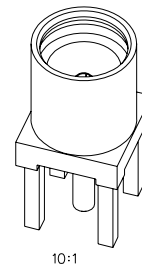
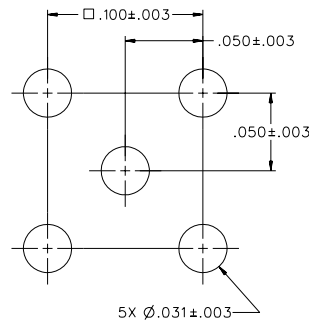
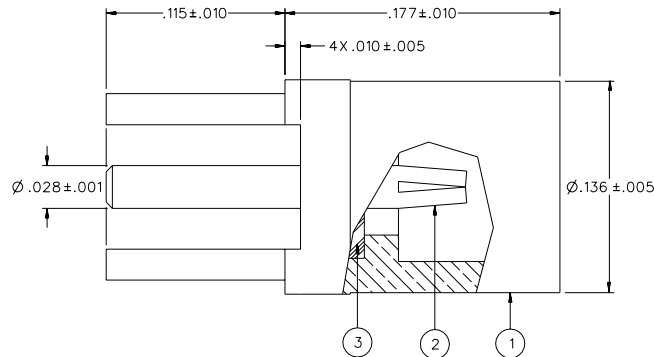
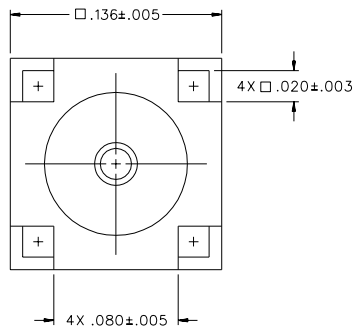


PART NUMBER	ITEM ① BODY	ITEM ② CONTACT	ITEM ③ INSULATOR
135-9701-201	COPPER ALLOY GOLD PL .00005 MIN OVER COPPER PL .00005 MIN	BERYLLIUM COPPER GOLD PL .00005 MIN OVER COPPER PL .00005 MIN	TEFLON

DRAWING NO. C - 135-9701-201/210	
0	REVISIONS
ENGINEERING RELEASE	
1	9-6-07



10:1



MOUNTING HOLE LAYOUT

CUSTOMER DRAWING

THIS DRAWING TO BE INTERPRETED
PER ASME Y 14.5M - 1994

"μ STATION"

COMPANY CONFIDENTIAL

NOTES:

1. SPECIFICATIONS:

- IMPEDANCE: 50 OHMS
- FREQUENCY RANGE: 0-6 GHz
- VSWR: NOT APPLICABLE
- WORKING VOLTAGE: 225 VRMS MAX AT SEA LEVEL
- DIELECTRIC WITHSTANDING VOLTAGE: 500 VRMS MIN AT SEA LEVEL
- INSULATION RESISTANCE: 1000 MEGOHM MIN
- CONTACT RESISTANCE:
 - CENTER CONTACT - INITIAL 5.0 MILLIOHM MAX, AFTER ENVIRONMENTAL 8.0 MILLIOHM MAX
 - OUTER CONDUCTOR - GOLD PLATED INITIAL 1 MILLIOHM MAX, AFTER ENVIRONMENTAL 1.5 MILLIOHM MAX
 - NICKEL PLATED INITIAL 2.5 MILLIOHM MAX, AFTER ENVIRONMENTAL 3.5 MILLIOHM MAX
- BRAID TO BODY - NOT APPLICABLE
- CORONA LEVEL: 190 VOLTS MINIMUM AT 70,000 FEET
- INSERTION LOSS: NOT APPLICABLE
- RF LEAKAGE: NOT APPLICABLE
- RF HIGH POTENTIAL WITHSTANDING VOLTAGE: 400 VRMS AT 4 AND 7 MHZ

MECHANICAL:

- ENGAGE/DISENGAGE FORCE: 8 LBS MAX ENGAGEMENT
1.4 LBS MIN DISENGAGEMENT
- CONTACT RETENTION FORCE: 2.0 LBS MIN AXIAL FORCE
- CONTACT RETENTION TORQUE: NOT APPLICABLE
- COUPLING MECHANISM RETENTION: NOT APPLICABLE
- CABLE ACCEPTABILITY: NOT APPLICABLE
- CABLE HEX CRIMP SIZE: NOT APPLICABLE
- CABLE RETENTION: NOT APPLICABLE
- DURABILITY: 500 CYCLES MIN

ENVIRONMENTAL:

- (MEETS OR EXCEEDS THE APPLICABLE PARAGRAPH OF MIL-C-39012)
- THERMAL SHOCK: MIL-STD-202, METHOD 107, CONDITION C
EXCEPT -55 DEG C TO 155 DEG C
- OPERATING TEMPERATURE: -55 DEG C TO 155 DEG C
- CORROSION: MIL-STD-202, METHOD 101, CONDITION B
- SHOCK: MIL-STD-202, METHOD 213, CONDITION B
- VIBRATION: MIL-STD-202, METHOD 204, CONDITION D
- MOISTURE: MIL-STD-202, METHOD 106

TOLERANCE UNLESS OTHERWISE SPECIFIED	DRAWN BY JDS	DATE 9-6-07	Connectivity Solutions P.O. Box 1732 Waseco, MN 56093 1-800-247-8256
DECIMALS	CHECKED BY TAK	DATE 9-14-07	
.XXX ±.003	APPROVED BY TJS	DATE 9-14-07	TITLE JACK ASSEMBLY STRAIGHT PC MOUNT NON-MAGNETIC MMCX
MATL	RELEASE DATE 9-14-07	SHEET 2 OF 2	DRAWING NO. C - 135-9701-201/210
FINISH	U/M INCH	SCALE 20:1	