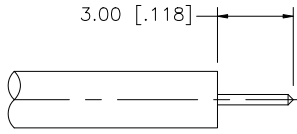
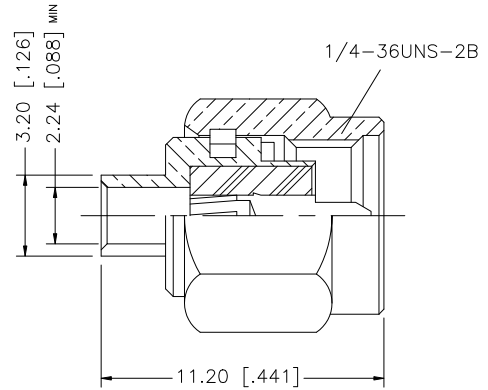
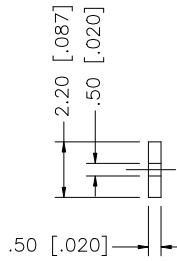


REV.	DATE	DESCRIPTION
NC	06/12/02	INITIAL RELEASE
A	02/25/08	UPDATE DRAWING FORMAT, ADD BODY X-SECTION



RECOMMENDED  
CABLE STRIPPING DIM'S



DESCRIPTION	MATERIAL	FINISH	QTY	DO NOT SCALE DRAWING	APPROVALS	DATE	Amphenol Connex				
8				<small>UNLESS OTHERWISE SPECIFIED DIMENSIONS ARE IN MILLIMETERS. DIMENSIONS IN [ ] ARE IN INCHES AND FOR CUSTOMER REFERENCE ONLY.</small> <small>UNLESS OTHERWISE SPECIFIED TOLERANCES FOR MILLIMETERS ARE:</small> 0.5 - 8mm ± 0.20mm 8 - 30mm ± 0.40mm 30 - 120mm ± 0.50mm <small>UNLESS OTHERWISE SPECIFIED TOLERANCES FOR INCHES ARE:</small> .020 - .315 = ± 0.007" .315 - 1.180 = ± 0.015" 1.180 - 4.724 = ± 0.020"	DRAWN	G.R.S.	02/25/08	<b>SMA SEMI RIGID PLUG (FOR .085", .086" CABLE)</b>			
7			CHECKED								
6			ISSUED								
5			SHEET		1 OF 1						
4 CONTACT PIN	BER. COPPER	GOLD	1				PART DESCRIPTION				
3 INSULATOR	TEFLON	NATURAL	1				PART NO.				
2 BODY	BRASS	GOLD	1				132248				
1 COUPLING NUT	PASSIVATED S.S.	GOLD	1				DWG. NO.	132248.DWG	REV. A	SIZE A	SCALE NA