

4

3

2

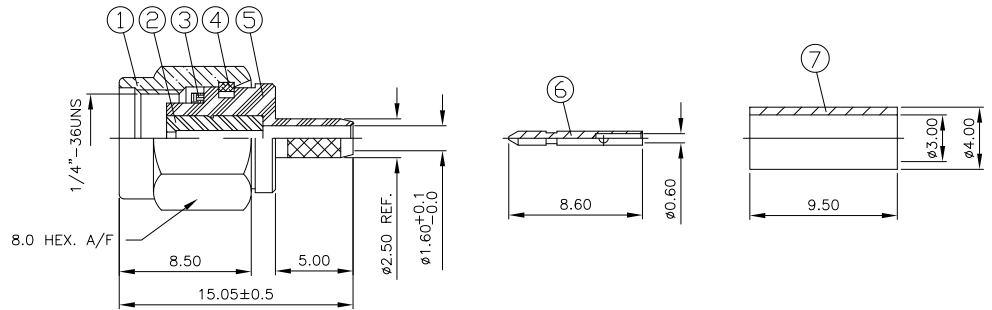
1

THIS DRAWING IS UNPUBLISHED. RELEASED FOR PUBLICATION APRIL, 2004.
 © COPYRIGHT 2004 By - ALL RIGHTS RESERVED.

LOC	DIST	REVISIONS			
P	LTR	DESCRIPTION	DATE	DWN	APVD
E	B	A1	REVISED PER ECO-11-005033	01APR11	RK HMR

NOTES:

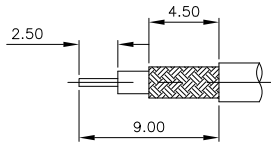
- 1 SINGLE PACK IN ACCORDANCE WITH SPEC 107-3275
- 2 100 TRAY PACK IN ACCORDANCE WITH SPEC 107-3275
- 3 0.08µm Au PLATING OVER 1.27µm Ni PLATING
- 4 0.08µm Au PLATING OVER 1.27µm Ni PLATING OVER 0.76µm Cu PLATING
- 5 0.76µm Au PLATING OVER 1.27µm Ni PLATING OVER 0.76µm Cu PLATING
- 6 PASSIVATED
- 7 WHITE BRONZE PLATING
- 8 PLATING AS PER BODY, EXCEPT FOR PASSIVATED WHICH IS NICKEL PLATED
- 9 HAND TOOL 9-1478240-0
- 10 DIE SET 9-1478248-0
- 11 FOR TECHNICAL DATA REFER TO YOUR LOCAL TE CONNECTIVITY SALES OFFICE
- 12 ALL DIMENSIONS ARE NOMINAL FOR REFERENCE ONLY UNLESS OTHERWISE STATED



RECOMMENDED CRIMP SLEEVE A/F HEX



RECOMMENDED CABLE STRIPPING DIM'S



1	1	1	1	1	1	1	1	1	BRASS	△	CRIMP SLEEVE	7
1	1	1	1	1	1	1	1	1	BRASS	△	CENTER CONTACT	6
1	1	-	-	-	-	-	-	-	BRASS	△	BODY	5
-	-	1	1	-	-	-	-	-	BRASS	△	BODY	5
-	-	-	-	1	1	-	-	-	STAINLESS STEEL	△	BODY	5
-	-	-	-	-	-	1	1	-	STAINLESS STEEL	△	BODY	5
1	1	1	1	1	1	1	1	1	STAINLESS STEEL	△	CIRCLIP	4
1	1	1	1	1	1	1	1	1	SILICON	△	GASKET	3
1	1	1	1	1	1	1	1	1	PTFE	△	INSULATOR	2
1	1	-	-	-	-	-	-	-	BRASS	△	SHELL	1
-	-	1	1	-	-	-	-	-	BRASS	△	SHELL	1
-	-	-	-	1	1	-	-	-	STAINLESS STEEL	△	SHELL	1
-	-	-	-	-	-	1	1	-	STAINLESS STEEL	△	SHELL	1
4--1	4--0	3--1	3--0	2--1	2--0	1--1	1--0	-	MATERIAL	DESCRIPTION	ITEM	

QUANTITY PER ASSY

PARTS LIST

THIS DRAWING IS A CONTROLLED DOCUMENT.		DWN: R. SMITH 03FEB04	TE Connectivity	
DIMENSIONS: mm		CHK: S. PARLOW 03FEB04		
TOLERANCES UNLESS OTHERWISE SPECIFIED:		APVD: F. WHEELER-KING 03FEB04	NAME: SMA STRAIGHT PLUG NON CAPTIVE SOLDER CONTACT	
0 PLC ±		PRODUCT SPEC: 108-3460	CRIMP ATTACHMENT	
1 PLC ±		APPLICATION SPEC: 411-3276	RG174A/U, 188A/U, 316/U, KX3B, KX22A	
2 PLC ±		WEIGHT: -	SIZE: A3	CAGE CODE: 00779
3 PLC ±		FINISH: -	DRAWING NO: C-1478916	RESTRICTED TO: -
4 PLC ±		MATERIAL: SEE TABLE	CUSTOMER DRAWING	
ANGLES ±		SCALE: 1:1 SHEET: 1 OF 1 REV: A1		