

4

3

2

1

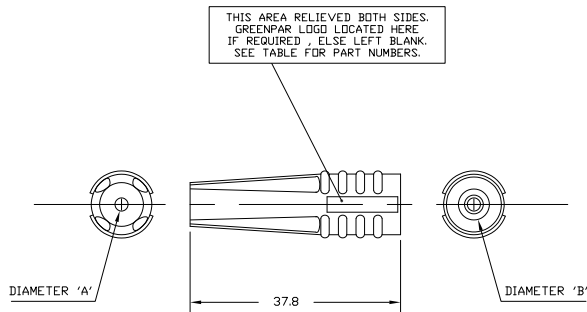
THIS DRAWING IS UNPUBLISHED.

RELEASED FOR PUBLICATION 02-05-2002 .-

ALL RIGHTS RESERVED.

© COPYRIGHT 2002 By -


LOC	DIST	REVISIONS				
P	LTR	DESCRIPTION	DATE	DWN	APVD	
A1		REVISED PER ECO-11-005033	31MAR11	RK	HMR	



SUITABLE FOR THE FOLLOWING CABLES	
GROUP 1	RG174A/U, 188A/U, 316/U, URM95, RG179B/U, 187A/U, URM111
GROUP 2	RG58C/U, 141A/U, URM43,76, BELDEN9907, RG55B/U, 142B/U, 223/U, 400/U, URM301
GROUP 3	RG59B/U, 62A/U, 140/U, URM70/90

DIAM. A	CABLE GROUPS					
	GROUP 1 RG174 etc		GROUP 2 RG58 etc		GROUP 3 RG59 etc	
	3.2/3.6 tapering		4.9/5.6 tapering		5.7/6.4 tapering	
DIAM. B	5.6		5.9		7.1	
BLACK	1- - 6	2- - 6	3- - 6	4- - 6	5- - 6	6- - 6
RED	1- - 5	2- - 5	3- - 5	4- - 5	5- - 5	6- - 5
GREEN	1- - 4	2- - 4	3- - 4	4- - 4	5- - 4	6- - 4
YELLOW	1- - 3	2- - 3	3- - 3	4- - 3	5- - 3	6- - 3
BLUE	1- - 2	2- - 2	3- - 2	4- - 2	5- - 2	6- - 2
WHITE	1- - 1	2- - 1	3- - 1	4- - 1	5- - 1	6- - 1
ORANGE	1- - 0	2- - 0	3- - 0	4- - 0	5- - 0	6- - 0
	WITH LOGO	WITHOUT LOGO	WITH LOGO	WITHOUT LOGO	WITH LOGO	WITHOUT LOGO
FIGURES ARE PREFIX AND SUFFIX TO BASE NUMBER EG: 1-1478996-4. USE THE BASE NUMBER 1478996 THROUGHOUT THE TABLE.						

10 SLEEVES (BOOTS) ARE PACKED INTO A SEALED PLASTIC BAG .  
10 BAGS ARE PACKED INTO A BOX.  
(QTY PER BOX = 100 ITEMS)

THIS DRAWING IS A CONTROLLED DOCUMENT.		DWN R.GOODALL 02-MAY-02	 TE Connectivity	
		CHK A.BEKEN 02-05-02		
DIMENSIONS:	TOLERANCES UNLESS OTHERWISE SPECIFIED:	APVD C.KAMINSKI 02-05-02	NAME	
mm	0 PLC ± - 1 PLC ± 0.2 2 PLC ± - 3 PLC ± - 4 PLC ± - ANGLES ± -	PRODUCT SPEC N/A	STRAIN RELIEF SLEEVES (BOOTS) FOR R/F COAX CONNECTORS CABLE GROUPS RG174, RG58, RG59	
MATERIAL PVC	FINISH LIGHT SPARK	APPLICATION SPEC N/A	SIZE A3	RESTRICTED TO
		WEIGHT -	CAGE CODE 00779	DRAWING NO 1478996
		CUSTOMER DRAWING		SCALE NTS
		SHEET 1 OF 1		REV A1