

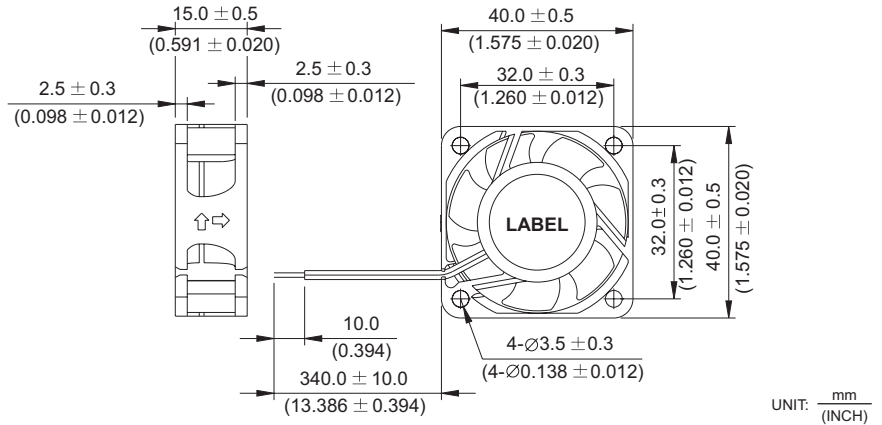
*New*



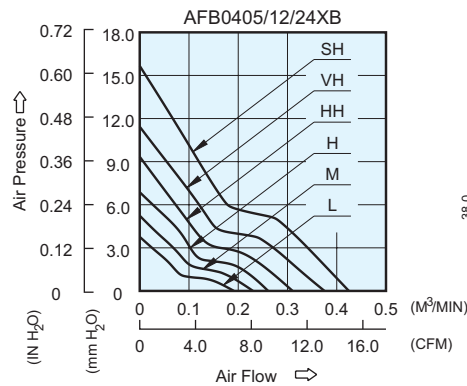
- \* Bearing Type  
Ball Bearings
- \* Material  
Impeller & Frame : Plastic(UL 94V-0)
- \* Lead Wires :  
UL 1007 AWG #24 OR Equivalent  
Red Wire Positive(+)  
Black Wire Negative(-)
- \* Weight : 25.0g (0.88 OZ)  
Rib Type Only

# AFB 40 x 40 x 15 MM SERIES

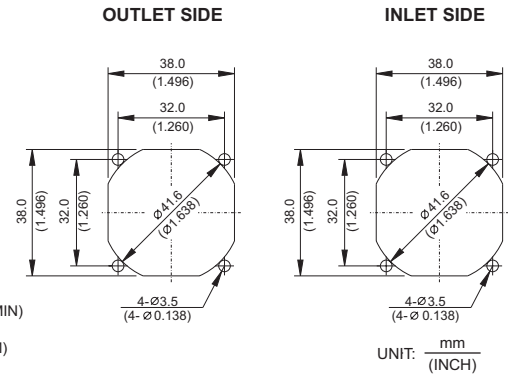
## DIMENSIONS DRAWING



## P & Q CURVE (AT RATED VOLTAGE)



## MOUNTING PANEL CUTOUT



MODEL		Rated Voltage	Operating Voltage Range	Rated Current	Rated Input Power	Speed	Maximum Air Flow		Maximum Air Pressure		Noise
PART NO.	FUNCTION	VDC	VDC	Amp	Watt	R.P.M.	M <sup>3</sup> /min	CFM	mmH <sub>2</sub> O	IN H <sub>2</sub> O	dB-A
AFB0405LB	-R00 / -F00	5	4.5 to 5.5	0.13	0.65	5000	0.184	6.50	3.67	0.144	18.5
AFB0412LB	-R00 / -F00	12	7.0 to 13.8	0.06	0.72						
AFB0424LB	-R00 / -F00	24	14.0 to 27.6	0.05	1.20						
AFB0405MB	-R00 / -F00	5	4.5 to 5.5	0.17	0.85	6000	0.230	8.12	5.12	0.202	24.5
AFB0412MB	-R00 / -F00	12	7.0 to 13.8	0.09	1.08						
AFB0424MB	-R00 / -F00	24	14.0 to 27.6	0.06	1.44						
AFB0405HB	-R00 / -F00	5	4.5 to 5.5	0.28	1.40	7000	0.268	9.46	6.92	0.272	28.5
AFB0412HB	-R00 / -F00	12	7.0 to 13.8	0.10	1.20						
AFB0424HB	-R00 / -F00	24	14.0 to 27.6	0.08	1.92						
AFB0405HMB	-R00 / -F00	5	4.5 to 5.5	0.38	1.90	8300	0.325	11.48	9.13	0.359	32.0
AFB0412HMB	-R00 / -F00	12	7.0 to 13.8	0.13	1.56						
AFB0424HMB	-R00 / -F00	24	14.0 to 27.6	0.09	2.16						
AFB0412VHB	-R00 / -F00	12	7.0 to 13.8	0.16	1.92	9500	0.368	13.00	11.66	0.459	36.5
AFB0424VHB	-R00 / -F00	24	14.0 to 27.6	0.10	2.40						
AFB0412SHB	-R00 / -F00	12	7.0 to 13.8	0.25	3.00	11000	0.420	14.83	15.26	0.601	41.5
AFB0424SHB	-R00 / -F00	24	14.0 to 27.6	0.12	2.88						

\* Function type is optional.  
 \* The max. air flow and the speed are measured in free air ; max. air pressure is measured at zero air flow.  
 \* Noise is measured in anechoic chamber in free air, one meter from intake side.  
 \* All readings are typical values at rated voltage.  
 \* Specifications are subject to change without notice.