



We Tame Photons to Work for You!



Products > LEDs > Thru-Hole > Rectangular > 4mm x 6mm



### Features / Options

- ▶ State-of-the-Art, High Brightness Chip Technology
- ▶ Choice of Colors and Lens Finishes
- ▶ Lead Frame / Lens Casting Reliability
- ▶ Easy-to-Solder Leads, Tin Finish
- ▶ Available Bulk or on Tape and Reel
- ▶ Lead Trimming and Forming Available
- ▶ Custom Shapes, Easily Tooled, Low Minimum

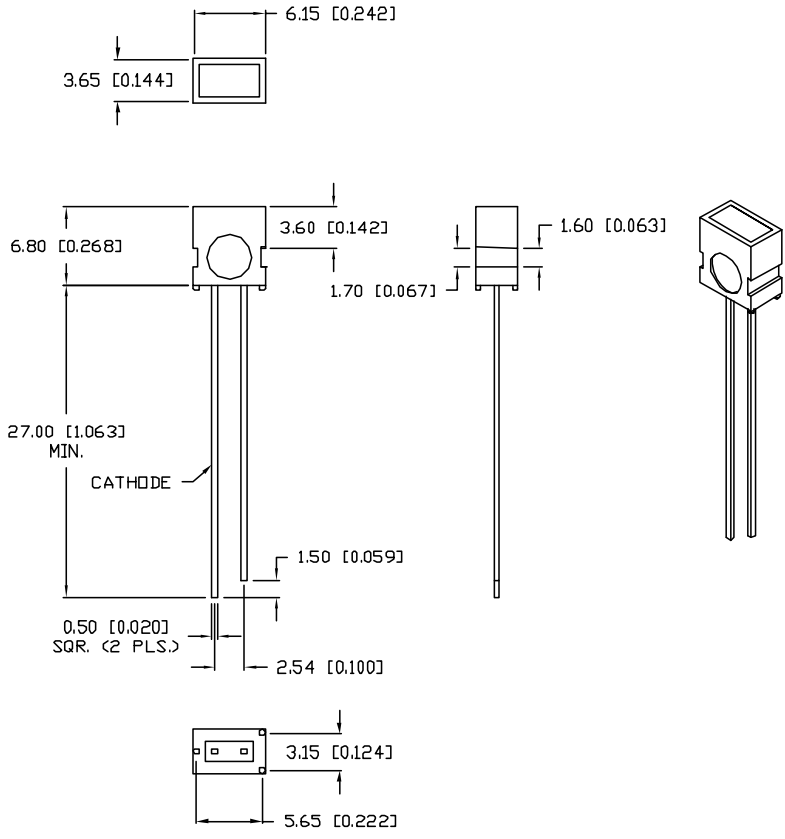
### Applications / Uses

- ▶ Board or Panel Indication or Illumination
- ▶ Annunciator and Control Panels
- ▶ Telecom Switches and Central Station Equipment
- ▶ Large Panel Indicators

Part Number:	Brightness	Dice Material	Emitted Color	Peak Wavelength	Epoxy Lens	Operating Typ Vf (V)	Intensity Typ, mcd @ 20 mA	View Angle 2x Theta		
SSL-LX4673AD-LA20	HIGH	GaAsP	Amber	610	Diffused	2.0	20	100		—
SSL-LX4673GD-LA20	STANDARD	GaP	Green	565	Diffused	2.1	6	100		—
SSL-LX4673HGW-LA20	STANDARD	GaP	Red/Green	700	White Diffused	2	5	110		—
SSL-LX4673ID-LA20	STANDARD	GaAsP	Red	635	Diffused	2.0	12	100		—
SSL-LX4673OD-LA20	STANDARD	GaP	Red	695	Diffused	2.0	12	20		—
SSL-LX4673SID-LA20	HIGH	AllnGaP	Red	636	Diffused	2.0	100	100		—
SSL-LX4673SOD-LA20	HIGH	AllnGaP	Orange	610	Diffused	2.0	100	100		—
SSL-LX4673SRD-LA20	STANDARD	GaAlAs	Red	660	Diffused	1.7	60	100		—
SSL-LX4673SUGD-LA20	HIGH	AllnGaP	Green	574	Diffused	2.2	50	100		—
SSL-LX4673SYD-LA20	HIGH	AllnGaP	Yellow	590	Diffused	2.0	100	100		—

UNCONTROLLED DOCUMENT

PART NUMBER		REV.
SSL-LX4673ID-LA20		C
REV.	E.C.N. NUMBER AND REVISION COMMENTS	DATE
A	REDRAWN AND UPDATED SPECS.	7.25.94
B	E.C.N. #10BRDR. & REDRAWN IN 3D.	7.10.01
C	E.C.N. #11148.	2.19.05



ELECTRO-OPTICAL CHARACTERISTICS  $T_A=25^\circ\text{C}$   $I_f=20\text{mA}$

PARAMETER	MIN	TYP	MAX	UNITS	TEST COND
PEAK WAVELENGTH		635		nm	
FORWARD VOLTAGE		2.0	2.5	$V_f$	
REVERSE VOLTAGE	5.0			$V_r$	$I_f=100\mu\text{A}$
AXIAL INTENSITY		12		mcd	$I_f=20\text{mA}$
VIEWING ANGLE		100		$2x \theta_{\text{theta}}$	
EMITTED COLOR:	RED				
EPOXY LENS FINISH:	RED DIFFUSED				

☐ LIMITS OF SAFE OPERATION AT 25°C

PARAMETER	MAX	UNITS
PEAK FORWARD CURRENT*	150	mA
STEADY CURRENT	30	mA
POWER DISSIPATION	105	mW
DERATE FROM 25°C	-1.2	mW/°C
OPERATING, STORAGE TEMP.	-40 TO +85	°C
SOLDERING TEMP.	+260	°C
2.0mm FROM BODY	3 SEC. MAX	

\*  $t < 10\mu\text{s}$



UNCONTROLLED DOCUMENT

\*UNLESS OTHERWISE SPECIFIED TOLERANCES PER DECIMAL PRECISION ARE: X=#1 (±0.039), XX=#0.5 (±0.020), XXX=#0.25 (±0.010), XXXX=#0.127 (±0.005). LEAD SIZE=±0.05 (±0.002), LEAD LENGTH=±0.75 (±0.030). MIN.=+DECIMAL PRECISION -0.00, MAX.=+0.00 -DECIMAL PRECISION

REV. C	PART NUMBER SSL-LX4673ID-LA20	<p><b>CONFIDENTIAL INFORMATION</b></p> <p>THE INFORMATION CONTAINED IN THIS DOCUMENT IS THE PROPERTY OF LUMEX INC. EXCEPT AS SPECIFICALLY AUTHORIZED IN WRITING BY LUMEX INC., THE HOLDER OF THIS DOCUMENT SHALL KEEP ALL INFORMATION CONTAINED HEREIN CONFIDENTIAL AND SHALL PROTECT SAME IN WHOLE OR IN PART FROM DISCLOSURE AND DISSEMINATION TO ALL THIRD PARTIES.</p> <p><b>RELIABILITY NOTE</b></p> <p>OUR MANY YEARS OF EXPERIENCE DATA ACCUMULATION INDICATE THAT SOLDER HEAT IS A MAJOR CAUSE OF EARLY AND FUTURE FAILURE. PLEASE PAY ATTENTION TO YOUR SOLDERING PROCESS.</p>		DRAWN BY: BC CHECKED BY: APPROVED BY: DATE: 8.20.92 PAGE: 1 OF 1 SCALE: N/A
4mm x 7mm RECTANGULAR LED, 635nm RED LED, RED DIFFUSED EPOXY.				