

Switch Language

English

Need Assistance?

- Contact Us
- Find a Distributor
- Order Samples
- Tech Library

Printer-friendly page

Email this page

[Home](#) [PCB Headers](#) [Datasheet](#)

Part Number: 0039281063

Status: Active **Overview:** [Mini-Fit Jr.™](#)

Description: 4.20mm (.165") Pitch Mini-Fit Jr.™ Header, Dual Row, Vertical, without Snap-in Plastic Peg PCB Lock, 6 Circuits, PA Polyamide Nylon 6/6 94V-2, Tin (Sn) Plating, without Drain Holes

Documents:

Note - Please disable browser pop-up blockers for documents on www.molex.com

- [Drawing \(PDF\)](#) [Product Specification PS-5557-003 \(PDF\)](#)
- [Product Specification PS-5557-015 \(PDF\)](#) [3D Model](#)
- [Related Catalog Page \(PDF\)](#)

Order Products:

- [Check Distributor Inventory](#) [Add to My Parts](#)
- [Request Samples](#)

Part Detail: [\(show all\)](#)

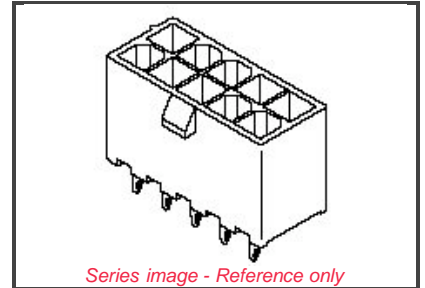
[General](#) [Physical](#) [Electrical](#) [Material Info](#)

General

| | |
|----------------|---|
| Product Family | PCB Headers |
| Series | 5566 |
| Application | Wire-to-Board |
| Comments | Glow Wire Equivalent Part Number 50361697 |
| Overview | Square Pin, Solder Type |
| Product Name | Mini-Fit Jr.™ |

Physical

| | |
|--------------------------------|-----------|
| Breakaway | No |
| Circuits (Loaded) | 6 |
| Circuits (maximum) | 6 |
| Color - Resin | Natural |
| Durability (mating cycles) min | 30 cycles |
| First Mate / Last Break | No |
| Flammability | 94V-0 |
| Flammability | 94V-2 |
| Guide to Mating Part | No |
| Keying to mating part | None |
| Lock to Mating Part | Yes |
| Material - Metal | Brass |
| Material - Plating Mating | Tin |
| Material - Plating Termination | Tin |
| Material - Resin | Nylon |
| Number of Rows | 2 |
| Orientation | Vertical |
| PC Tail Length (in) | 0.138 In |
| PC Tail Length (mm) | 3.50 mm |
| PCB Locator | Yes |
| PCB Retention | None |
| PCB Thickness Recommended (in) | 0.070 In |
| PCB Thickness Recommended (mm) | 1.80 mm |



EU RoHS **China RoHS**
ELV and RoHS Compliant



Need more information on product compliance?

Email productcompliance@molex.com

Please visit the [Contact Us](#) section for any non-product compliance questions.

Search Parts in this Series

[5566](#) Series

Mates With

[5557](#) Mini-Fit Jr.™ Receptacle Housing

| | |
|--------------------------------|-----------------|
| Packaging Type | Tray |
| Pitch - Mating Interface (in) | 0.165 In |
| Pitch - Mating Interface (mm) | 4.20 mm |
| Pitch - Term. Interface (in) | 0.165 In |
| Pitch - Term. Interface (mm) | 4.20 mm |
| Plating min: Mating (uin) | 35 |
| Plating min: Mating (um) | 0.90 |
| Plating min: Termination (uin) | 100 |
| Plating min: Termination (um) | 2.50 |
| Polarized to Mating Part | Yes |
| Polarized to PCB | Yes |
| Robotic Placement | None |
| Shrouded | Fully |
| Stackable | No |
| Surface Mount Compatible (SMC) | No |
| Temperature Range - Operating | -40°C to +105°C |
| Termination Interface: Style | Through Hole |

Electrical

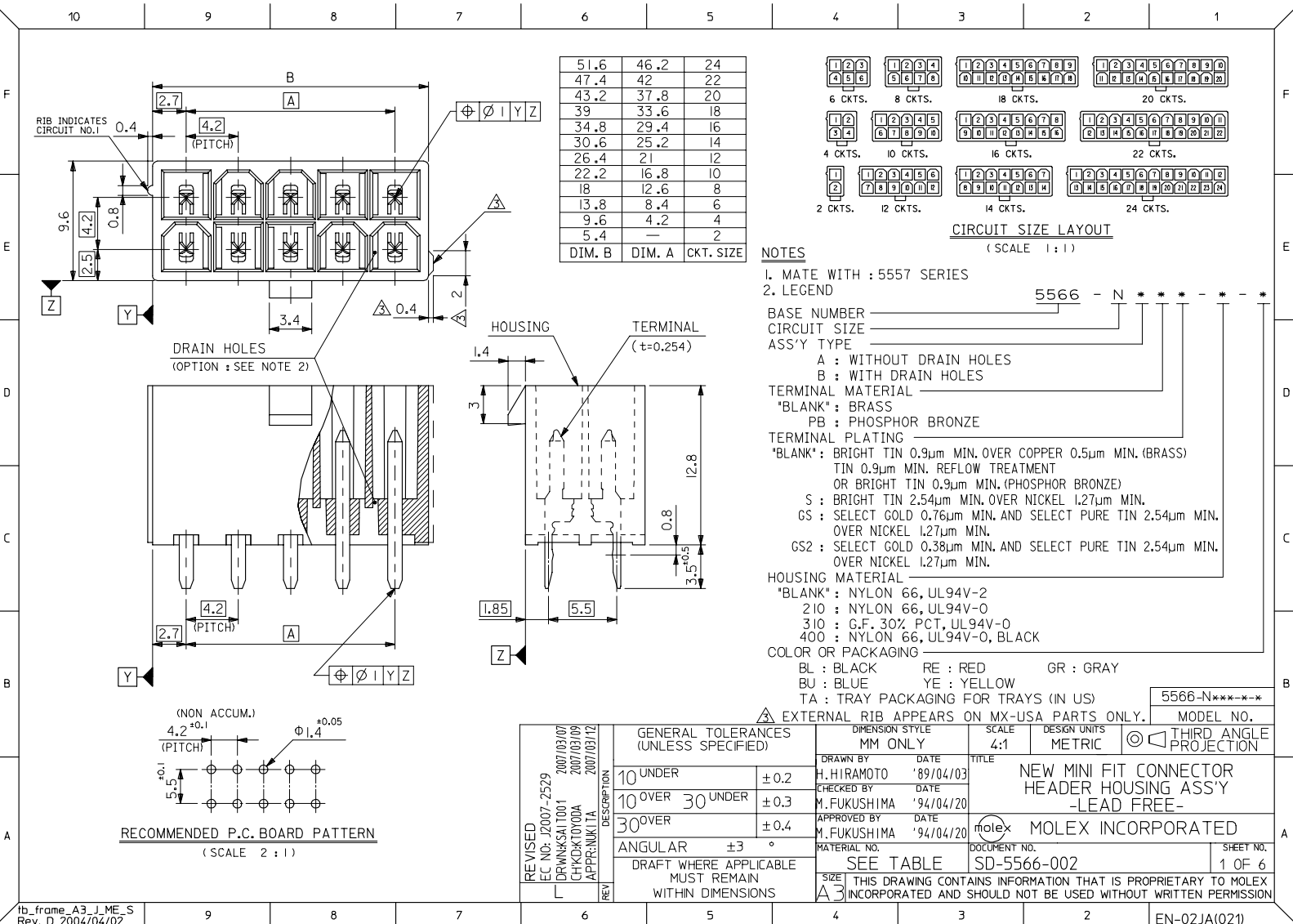
| | |
|-------------------|-----------|
| CSA | LR19980 |
| Current - Maximum | 8.000 Amp |
| TUV | R75142 |
| UL | E29179 |
| Voltage - Maximum | 600V |

Material Info

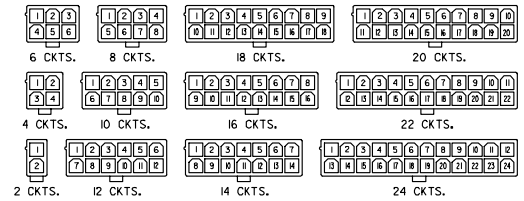
| | |
|-----------------|----------|
| Old Part Number | 5566-06A |
|-----------------|----------|

Reference - Drawing Numbers

| | |
|-----------------------|----------------|
| Product Specification | PS-5557-003 |
| Product Specification | PS-5557-015 |
| Sales Drawing | SD-5566-002 |
| Sales Drawing | SD-5566-003 |
| Sales Drawing | SD-5566-N***-* |
| Sales Drawing | SD-5566-NA**-* |



| DIM. B | DIM. A | CKT. SIZE |
|--------|--------|-----------|
| 51.6 | 46.2 | 24 |
| 47.4 | 42 | 22 |
| 43.2 | 37.8 | 20 |
| 39 | 33.6 | 18 |
| 34.8 | 29.4 | 16 |
| 30.6 | 25.2 | 14 |
| 26.4 | 21 | 12 |
| 22.2 | 16.8 | 10 |
| 18 | 12.6 | 8 |
| 13.8 | 8.4 | 6 |
| 9.6 | 4.2 | 4 |
| 5.4 | — | 2 |



CIRCUIT SIZE LAYOUT
(SCALE 1:1)

NOTES

- MATE WITH : 5557 SERIES
- LEGEND

BASE NUMBER _____ 5566 - N * * * * *
 CIRCUIT SIZE _____
 ASS'Y TYPE _____

A : WITHOUT DRAIN HOLES
 B : WITH DRAIN HOLES

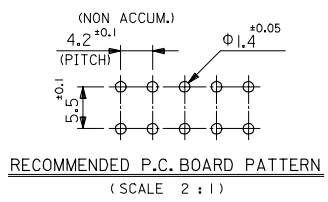
TERMINAL MATERIAL _____
 BLANK : BRASS
 PB : PHOSPHOR BRONZE

TERMINAL PLATING _____
 BLANK : BRIGHT TIN 0.9μm MIN. OVER COPPER 0.5μm MIN. (BRASS)
 TIN 0.9μm MIN. REFLOW TREATMENT
 OR BRIGHT TIN 0.9μm MIN. (PHOSPHOR BRONZE)
 S : BRIGHT TIN 2.54μm MIN. OVER NICKEL 1.27μm MIN.
 GS : SELECT GOLD 0.76μm MIN. AND SELECT PURE TIN 2.54μm MIN.
 OVER NICKEL 1.27μm MIN.
 GS2 : SELECT GOLD 0.38μm MIN. AND SELECT PURE TIN 2.54μm MIN.
 OVER NICKEL 1.27μm MIN.

HOUSING MATERIAL _____
 BLANK : NYLON 66, UL94V-2
 210 : NYLON 66, UL94V-0
 310 : G.F. 30% PCT, UL94V-0
 400 : NYLON 66, UL94V-0, BLACK

COLOR OR PACKAGING _____
 BL : BLACK RE : RED GR : GRAY
 BU : BLUE YE : YELLOW
 TA : TRAY PACKAGING FOR TRAYS (IN US)

EXTERNAL RIB APPEARS ON MX-USA PARTS ONLY.



| | | | | | | |
|--|---------------------------------------|-------------|-----------------|--------------------|---|------------------------|
| REVISED EC NO. J2007-2529 DRW:KSAI1001 2007/03/07 CHK:KTOYODA 2007/03/09 APPR:NIKIITA 2007/03/12 | GENERAL TOLERANCES (UNLESS SPECIFIED) | | DIMENSION STYLE | SCALE | DESIGN UNITS | THIRD ANGLE PROJECTION |
| | | | MM ONLY | 4:1 | METRIC | |
| | 10 UNDER | ±0.2 | DRAWN BY | DATE | TITLE | |
| | 10 OVER 30 UNDER | ±0.3 | H.HIRAMOTO | '89/04/03 | NEW MINI FIT CONNECTOR HEADER HOUSING ASS'Y -LEAD FREE- | |
| 30 OVER | ±0.4 | CHECKED BY | DATE | MOLEX INCORPORATED | | |
| ANGULAR | ±3 ° | M.FUKUSHIMA | '94/04/20 | MATERIAL NO. | | DOCUMENT NO. |
| DRAFT WHERE APPLICABLE MUST REMAIN WITHIN DIMENSIONS | | SEE TABLE | | SD-5566-002 | | SHEET NO. 1 OF 6 |
| THIS DRAWING CONTAINS INFORMATION THAT IS PROPRIETARY TO MOLEX INCORPORATED AND SHOULD NOT BE USED WITHOUT WRITTEN PERMISSION | | | | | | |

| | 10 | 9 | 8 | 7 | 6 | 5 | 4 | 3 | 2 | 1 | |
|--|----------------|-----------------|-----------------|------------------|----------------|-----------------|---------------|----------------|--------------|---------------|-----------|
| | NOT TOOLED | 5566-24APB-3 IO | NOT TOOLED | 5566-24AGS2-3 IO | NOT TOOLED | 5566-24AGS-3 IO | NOT TOOLED | 5566-24AS-3 IO | NOT TOOLED | 5566-24A-3 IO | 24 |
| | ↑ | -22APB-3 IO | ↑ | -22AGS2-3 IO | ↑ | -22AGS-3 IO | ↑ | -22AS-3 IO | ↑ | -22A-3 IO | 22 |
| | | -20APB-3 IO | | -20AGS2-3 IO | | -20AGS-3 IO | | -20AS-3 IO | | -20A-3 IO | 20 |
| | | -18APB-3 IO | | -18AGS2-3 IO | | -18AGS-3 IO | | -18AS-3 IO | | -18A-3 IO | 18 |
| | | -16APB-3 IO | | -16AGS2-3 IO | | -16AGS-3 IO | | -16AS-3 IO | | -16A-3 IO | 16 |
| | | -14APB-3 IO | | -14AGS2-3 IO | | -14AGS-3 IO | | -14AS-3 IO | | -14A-3 IO | 14 |
| | | -12APB-3 IO | | -12AGS2-3 IO | | -12AGS-3 IO | | -12AS-3 IO | | -12A-3 IO | 12 |
| | | -10APB-3 IO | | -10AGS2-3 IO | | -10AGS-3 IO | | -10AS-3 IO | | -10A-3 IO | 10 |
| | | -08APB-3 IO | | -08AGS2-3 IO | | -08AGS-3 IO | | -08AS-3 IO | | -08A-3 IO | 8 |
| | | -06APB-3 IO | | -06AGS2-3 IO | | -06AGS-3 IO | | -06AS-3 IO | | -06A-3 IO | 6 |
| | ↓ | -04APB-3 IO | ↓ | -04AGS2-3 IO | ↓ | -04AGS-3 IO | ↓ | -04AS-3 IO | ↓ | -04A-3 IO | 4 |
| | NOT TOOLED | 5566-02APB-3 IO | NOT TOOLED | 5566-02AGS2-3 IO | NOT TOOLED | 5566-02AGS-3 IO | NOT TOOLED | 5566-02AS-3 IO | NOT TOOLED | 5566-02A-3 IO | 2 |
| | EDP NO. | ENG. NO. | EDP NO. | ENG. NO. | EDP NO. | ENG. NO. | EDP NO. | ENG. NO. | EDP NO. | ENG. NO. | CKT. SIZE |
| | 5566-NAPB-3 IO | | 5566-NAGS2-3 IO | | 5566-NAGS-3 IO | | 5566-NAS-3 IO | | 5566-NA-3 IO | | |
| | 39-29-5247 | 5566-24APB-2 IO | 39-30-9245 | 5566-24AGS2-2 IO | 39-29-6248 | 5566-24AGS-2 IO | 39-30-6242 | 5566-24AS-2 IO | 39-28-8240 | 5566-24A-2 IO | 24 |
| | ↑ | -5227 | ↑ | -9225 | ↑ | -6228 | ↑ | -6222 | ↑ | -8220 | 22 |
| | | -5207 | | -9205 | | -6208 | | -6202 | | -8200 | 20 |
| | | -5187 | | -9185 | | -6188 | | -6182 | | -8180 | 18 |
| | | -5167 | | -9165 | | -6168 | | -6162 | | -8160 | 16 |
| | | -5147 | | -9145 | | -6148 | | -6142 | | -8140 | 14 |
| | | -5127 | | -9125 | | -6128 | | -6122 | | -8120 | 12 |
| | | -5107 | | -9105 | | -6108 | | -6102 | | -8100 | 10 |
| | | -5087 | | -9085 | | -6088 | | -6082 | | -8080 | 8 |
| | | -5067 | | -9065 | | -6068 | | -6062 | | -8060 | 6 |
| | ↓ | -5047 | ↓ | -9045 | ↓ | -6048 | ↓ | -6042 | ↓ | -8040 | 4 |
| | 39-29-5027 | 5566-02APB-2 IO | 39-30-9025 | 5566-02AGS2-2 IO | 39-29-6028 | 5566-02AGS-2 IO | 39-30-6022 | 5566-02AS-2 IO | 39-28-8020 | 5566-02A-2 IO | 2 |
| | EDP NO. | ENG. NO. | EDP NO. | ENG. NO. | EDP NO. | ENG. NO. | EDP NO. | ENG. NO. | EDP NO. | ENG. NO. | CKT. SIZE |
| | 5566-NAPB-2 IO | | 5566-NAGS2-2 IO | | 5566-NAGS-2 IO | | 5566-NAS-2 IO | | 5566-NA-2 IO | | |
| | 39-29-5246 | 5566-24APB | 39-30-9244 | 5566-24AGS2 | 39-29-0243 | 5566-24AGS | 39-30-6241 | 5566-24AS | 39-28-1243 | 5566-24A | 24 |
| | ↑ | -5226 | ↑ | -9224 | ↑ | -0223 | ↑ | -6221 | ↑ | -1223 | 22 |
| | | -5206 | | -9204 | | -0203 | | -6201 | | -1203 | 20 |
| | | -5186 | | -9184 | | -0183 | | -6181 | | -1183 | 18 |
| | | -5166 | | -9164 | | -0163 | | -6161 | | -1163 | 16 |
| | | -5146 | | -9144 | | -0143 | | -6141 | | -1143 | 14 |
| | | -5126 | | -9124 | | -0123 | | -6121 | | -1123 | 12 |
| | | -5106 | | -9104 | | -0103 | | -6101 | | -1103 | 10 |
| | | -5086 | | -9084 | | -0083 | | -6081 | | -1083 | 8 |
| | | -5066 | | -9064 | | -0063 | | -6061 | | -1063 | 6 |
| | ↓ | -5046 | ↓ | -9044 | ↓ | -0043 | ↓ | -6041 | ↓ | -1043 | 4 |
| | 39-29-5026 | 5566-02APB | 39-30-9024 | 5566-02AGS2 | 39-29-0023 | 5566-02AGS | 39-30-6021 | 5566-02AS | 39-28-1023 | 5566-02A | 2 |
| | EDP NO. | ENG. NO. | EDP NO. | ENG. NO. | EDP NO. | ENG. NO. | EDP NO. | ENG. NO. | EDP NO. | ENG. NO. | CKT. SIZE |
| | 5566-NAPB | | 5566-NAGS2 | | 5566-NAGS | | 5566-NAS | | 5566-NA | | |

| | | | | | | | |
|---|---------------------------------------|--------------|----------------------------|---|--|------------------------|---------------------------|
| REVISED EC NO: J2007-2529 DRW:KSAI1001 CHK:KTOYODA APPR:NIKIITA 2007/03/07 2007/03/09 2007/03/12 | GENERAL TOLERANCES (UNLESS SPECIFIED) | | DIMENSION STYLE MM ONLY | | SCALE --- | DESIGN UNITS METRIC | THIRD ANGLE PROJECTION |
| | 10 UNDER | ± --- | DRAWN BY H.HIRAMOTO | DATE '89/04/03 | TITLE NEW MINI FIT CONNECTOR HEADER HOUSING ASS'Y -LEAD FREE- MOLEX INCORPORATED | | |
| | 10 OVER 30 UNDER | ± --- | CHECKED BY M.FUKUSHIMA | DATE '94/04/20 | | | |
| | 30 OVER | ± --- | APPROVED BY M.FUKUSHIMA | DATE '94/04/20 | | | |
| ANGULAR | ± --- ° | MATERIAL NO. | | DOCUMENT NO. SD-5566-002 | SHEET NO. 2 OF 6 | | |
| DRAFT WHERE APPLICABLE MUST REMAIN WITHIN DIMENSIONS | | | SIZE A3 | THIS DRAWING CONTAINS INFORMATION THAT IS PROPRIETARY TO MOLEX INCORPORATED AND SHOULD NOT BE USED WITHOUT WRITTEN PERMISSION | | | |

| | 10 | 9 | 8 | 7 | 6 | 5 | 4 | 3 | 2 | 1 | | | |
|--|-----------------|------------------|----------------|-----------------|---------------|----------------|--------------|---------------|-----------------|------------------|-----------|--------------|----|
| | NOT TOOLED | 5566-24BGS2-3 IO | NOT TOOLED | 5566-24BGS-3 IO | NOT TOOLED | 5566-24BS-3 IO | NOT TOOLED | 5566-24B-3 IO | NOT TOOLED | 5566-24APBS-3 IO | 24 | | |
| | ↑ | -22BGS2-3 IO | ↑ | -22BGS-3 IO | ↑ | -22BS-3 IO | ↑ | -22B-3 IO | ↑ | -22APBS-3 IO | 22 | | |
| | | -20BGS2-3 IO | | -20BGS-3 IO | | -20BS-3 IO | | -20B-3 IO | | -20APBS-3 IO | 20 | | |
| | | -18BGS2-3 IO | | -18BGS-3 IO | | -18BS-3 IO | | -18B-3 IO | | -18APBS-3 IO | 18 | | |
| | | -16BGS2-3 IO | | -16BGS-3 IO | | -16BS-3 IO | | -16B-3 IO | | -16APBS-3 IO | 16 | | |
| | | -14BGS2-3 IO | | -14BGS-3 IO | | -14BS-3 IO | | -14B-3 IO | | -14APBS-3 IO | 14 | | |
| | | -12BGS2-3 IO | | -12BGS-3 IO | | -12BS-3 IO | | -12B-3 IO | | -12APBS-3 IO | 12 | | |
| | | -10BGS2-3 IO | | -10BGS-3 IO | | -10BS-3 IO | | -10B-3 IO | | -10APBS-3 IO | 10 | | |
| | | -08BGS2-3 IO | | -08BGS-3 IO | | -08BS-3 IO | | -08B-3 IO | | -08APBS-3 IO | 8 | | |
| | | -06BGS2-3 IO | | -06BGS-3 IO | | -06BS-3 IO | | -06B-3 IO | | -06APBS-3 IO | 6 | | |
| | ↓ | -04BGS2-3 IO | ↓ | -04BGS-3 IO | ↓ | -04BS-3 IO | ↓ | -04B-3 IO | ↓ | -04APBS-3 IO | 4 | | |
| | NOT TOOLED | 5566-02BGS2-3 IO | NOT TOOLED | 5566-02BGS-3 IO | NOT TOOLED | 5566-02BS-3 IO | NOT TOOLED | 5566-02B-3 IO | NOT TOOLED | 5566-02APBS-3 IO | 2 | | |
| | EDP NO. | ENG. NO. | EDP NO. | ENG. NO. | EDP NO. | ENG. NO. | EDP NO. | ENG. NO. | EDP NO. | ENG. NO. | CKT. SIZE | | |
| | 5566-NBGS2-3 IO | | 5566-NBGS-3 IO | | 5566-NBS-3 IO | | 5566-NB-3 IO | | 5566-NAPBS-3 IO | | | | |
| | 39-30-9247 | 5566-24BGS2-2 IO | 39-31-0248 | 5566-24BGS-2 IO | 39-31-0242 | 5566-24BS-2 IO | 39-31-0240 | 5566-24B-2 IO | 39-30-6244 | 5566-24APBS-2 IO | 24 | | |
| | ↑ | -9227 | ↑ | -9228 | ↑ | -9222 | ↑ | -9220 | ↑ | -6224 | ↑ | -22APBS-2 IO | 22 |
| | | -9207 | | -9208 | | -9202 | | -9200 | | -6204 | | -20APBS-2 IO | 20 |
| | | -9187 | | -9188 | | -9182 | | -9180 | | -6184 | | -18APBS-2 IO | 18 |
| | | -9167 | | -9168 | | -9162 | | -9160 | | -6164 | | -16APBS-2 IO | 16 |
| | | -9147 | | -9148 | | -9142 | | -9140 | | -6144 | | -14APBS-2 IO | 14 |
| | | -9127 | | -9128 | | -9122 | | -9120 | | -6124 | | -12APBS-2 IO | 12 |
| | | -9107 | | -9108 | | -9102 | | -9100 | | -6104 | | -10APBS-2 IO | 10 |
| | | -9087 | | -9088 | | -9082 | | -9080 | | -6084 | | -08APBS-2 IO | 8 |
| | | -9067 | | -9068 | | -9062 | | -9060 | | -6064 | | -06APBS-2 IO | 6 |
| | ↓ | -9047 | ↓ | -9048 | ↓ | -9042 | ↓ | -9040 | ↓ | -6044 | ↓ | -04APBS-2 IO | 4 |
| | 39-30-9027 | 5566-02BGS2-2 IO | 39-31-0028 | 5566-02BGS-2 IO | 39-31-0022 | 5566-02BS-2 IO | 39-31-0020 | 5566-02B-2 IO | 39-30-6024 | 5566-02APBS-2 IO | 2 | | |
| | EDP NO. | ENG. NO. | EDP NO. | ENG. NO. | EDP NO. | ENG. NO. | EDP NO. | ENG. NO. | EDP NO. | ENG. NO. | CKT. SIZE | | |
| | 5566-NBGS2-2 IO | | 5566-NBGS-2 IO | | 5566-NBS-2 IO | | 5566-NB-2 IO | | 5566-NAPBS-2 IO | | | | |
| | 39-30-9246 | 5566-24BGS2 | 39-31-0247 | 5566-24BGS | 39-31-0241 | 5566-24BS | 39-29-3246 | 5566-24B | 39-30-6243 | 5566-24APBS | 24 | | |
| | ↑ | -9226 | ↑ | -9227 | ↑ | -9221 | ↑ | -9220 | ↑ | -6223 | ↑ | -22APBS | 22 |
| | | -9206 | | -9207 | | -9201 | | -9200 | | -6203 | | -20APBS | 20 |
| | | -9186 | | -9187 | | -9181 | | -9180 | | -6183 | | -18APBS | 18 |
| | | -9166 | | -9167 | | -9161 | | -9160 | | -6163 | | -16APBS | 16 |
| | | -9146 | | -9147 | | -9141 | | -9140 | | -6143 | | -14APBS | 14 |
| | | -9126 | | -9127 | | -9121 | | -9120 | | -6123 | | -12APBS | 12 |
| | | -9106 | | -9107 | | -9101 | | -9100 | | -6103 | | -10APBS | 10 |
| | | -9086 | | -9087 | | -9081 | | -9080 | | -6083 | | -08APBS | 8 |
| | | -9066 | | -9067 | | -9061 | | -9060 | | -6063 | | -06APBS | 6 |
| | ↓ | -9046 | ↓ | -9047 | ↓ | -9041 | ↓ | -9040 | ↓ | -6043 | ↓ | -04APBS | 4 |
| | 39-30-9026 | 5566-02BGS2 | 39-31-0027 | 5566-02BGS | 39-31-0021 | 5566-02BS | 39-29-3026 | 5566-02B | 39-30-6023 | 5566-02APBS | 2 | | |
| | EDP NO. | ENG. NO. | EDP NO. | ENG. NO. | EDP NO. | ENG. NO. | EDP NO. | ENG. NO. | EDP NO. | ENG. NO. | CKT. SIZE | | |
| | 5566-NBGS2 | | 5566-NBGS | | 5566-NBS | | 5566-NB | | 5566-NAPBS | | | | |

| | | | | | | | |
|---|---------------------------------------|--------------|-----------------------------|---|--|------------------------|---------------------------|
| REVISED EC NO. J2007-2529 DRW:KSAI1001 CHK:KTOYODA APPR:NIKIITA 2007/03/07 2007/03/09 2007/03/12 | GENERAL TOLERANCES (UNLESS SPECIFIED) | | DIMENSION STYLE MM ONLY | | SCALE --- | DESIGN UNITS METRIC | THIRD ANGLE PROJECTION |
| | 10 UNDER | ± --- | DRAWN BY H. HIRAMOTO | DATE '89/04/03 | TITLE NEW MINI FIT CONNECTOR HEADER HOUSING ASS'Y -LEAD FREE- MOLEX INCORPORATED | | |
| | 10 OVER 30 UNDER | ± --- | CHECKED BY M. FUKUSHIMA | DATE '94/04/20 | | | |
| | 30 OVER | ± --- | APPROVED BY M. FUKUSHIMA | DATE '94/04/20 | | | |
| ANGULAR | ± --- ° | MATERIAL NO. | | DOCUMENT NO. SD-5566-002 | SHEET NO. 3 OF 6 | | |
| DRAFT WHERE APPLICABLE MUST REMAIN WITHIN DIMENSIONS | | SEE TABLE | | THIS DRAWING CONTAINS INFORMATION THAT IS PROPRIETARY TO MOLEX INCORPORATED AND SHOULD NOT BE USED WITHOUT WRITTEN PERMISSION | | | |

| | | | | | | | | | | | | | |
|---|----|---|---|---|---|---|----------------|-----------------|---------------|----------------|------------|------------|----|
| | 10 | 9 | 8 | 7 | 6 | 5 | 4 | 3 | 2 | 1 | | | |
| F | | | | | | | NOT TOOLED | 5566-24BPBS-310 | NOT TOOLED | 5566-24BPB-310 | 24 | | |
| | | | | | | | ↑ | ↑ | ↑ | ↑ | 22 | | |
| | | | | | | | | | | | 20 | | |
| | | | | | | | | | | | 18 | | |
| | | | | | | | | | | | 16 | | |
| | | | | | | | | | | | 14 | | |
| | | | | | | | | | | | 12 | | |
| | | | | | | | | | | | 10 | | |
| | | | | | | | | | | | 8 | | |
| | | | | | | | | | | | 6 | | |
| | | | | | | | | | | | 4 | | |
| E | | | | | | | NOT TOOLED | 5566-02BPBS-310 | NOT TOOLED | 5566-02BPB-310 | 2 | | |
| | | | | | | | EDP NO. | ENG. NO | EDP NO. | ENG. NO | CKT. SIZE | | |
| | | | | | | | 5566-NBPBS-310 | | 5566-NBPB-310 | | | | |
| | | | | | | | 39-31-0246 | 5566-24BPBS-210 | 39-31-0244 | 5566-24BPB-210 | 24 | | |
| | | | | | | | ↑ | ↑ | ↑ | ↑ | 22 | | |
| | | | | | | | | | | | 20 | | |
| | | | | | | | | | | | 18 | | |
| | | | | | | | | | | | 16 | | |
| | | | | | | | | | | | 14 | | |
| | | | | | | | | | | | 12 | | |
| | | | | | | | | | | | 10 | | |
| | | | | | | | | | | | 8 | | |
| | | | | | | | | | | | 6 | | |
| | | | | | | | | | | | 4 | | |
| D | | | | | | | 39-31-0026 | 5566-02BPBS-210 | 39-31-0024 | 5566-02BPB-210 | 2 | | |
| | | | | | | | EDP NO. | ENG. NO | EDP NO. | ENG. NO | CKT. SIZE | | |
| | | | | | | | 5566-NBPBS-210 | | 5566-NBPB-210 | | | | |
| C | | | | | | | 39-35-0248 | 5566-24A-400 | 39-31-0245 | 5566-24BPBS | 39-31-0243 | 5566-24BPB | 24 |
| | | | | | | | ↑ | ↑ | ↑ | ↑ | ↑ | 22 | |
| | | | | | | | | | | | | 20 | |
| | | | | | | | | | | | | 18 | |
| | | | | | | | | | | | | 16 | |
| | | | | | | | | | | | | 14 | |
| | | | | | | | | | | | | 12 | |
| | | | | | | | | | | | | 10 | |
| | | | | | | | | | | | | 8 | |
| | | | | | | | | | | | | 6 | |
| | | | | | | | | | | | | 4 | |
| B | | | | | | | 39-35-0028 | 5566-02A-400 | 39-31-0025 | 5566-02BPBS | 39-31-0023 | 5566-02BPB | 2 |
| | | | | | | | EDP NO. | ENG. NO | EDP NO. | ENG. NO | CKT. SIZE | | |
| | | | | | | | 5566-NA-400 | | 5566-NBPBS | | 5566-NBPB | | |

| | | | | | | | |
|--|---------------------------------------|--------------|---|-----------------------------|--|------------------------|---------------------------|
| REVISED EC NO. J2007-2529 DRW:KSAI1001 CHK:KTYODA APPR:NIKIITA | GENERAL TOLERANCES (UNLESS SPECIFIED) | | DIMENSION STYLE MM ONLY | | SCALE --- | DESIGN UNITS METRIC | THIRD ANGLE PROJECTION |
| | 10 UNDER | ± --- | DRAWN BY H.HIRAMOTO | DATE '89/04/03 | TITLE NEW MINI FIT CONNECTOR HEADER HOUSING ASS'Y -LEAD FREE- MOLEX INCORPORATED | | |
| | 10 OVER 30 UNDER | ± --- | CHECKED BY M.FUKUSHIMA | DATE '94/04/20 | | | |
| | 30 OVER | ± --- | APPROVED BY M.FUKUSHIMA | DATE '94/04/20 | | | |
| ANGULAR | ± --- ° | MATERIAL NO. | SEE TABLE | DOCUMENT NO. SD-5566-002 | SHEET NO. 4 OF 6 | | |
| DRAFT WHERE APPLICABLE MUST REMAIN WITHIN DIMENSIONS | | SIZE A3 | THIS DRAWING CONTAINS INFORMATION THAT IS PROPRIETARY TO MOLEX INCORPORATED AND SHOULD NOT BE USED WITHOUT WRITTEN PERMISSION | | | | |

10 9 8 7 6 5 4 3 2 1

F

E

D

C

B

A

| | | | | | | | | | 24 | |
|----------------|-----------------|----------------|-----------------|-----------------|-----------------|-----------------|-----------------|-----------------|-------------|-----------|
| | | | | | | | | | 22 | |
| | | | | | | | | | 20 | |
| | | | | | | | | | 18 | |
| | | | | | 39-33-3169 | 5566-16A-210-BU | 39-33-3168 | 5566-16A-210-BL | 16 | |
| | | | | | | | | | 14 | |
| | | | | | | | | | 12 | |
| | | | 39-33-4100 | 5566-10A-210-RE | 39-33-3109 | 5566-10A-210-BU | 39-33-3108 | 5566-10A-210-BL | 10 | |
| | | | | | | | 39-33-3088 | 5566-08A-210-BL | 8 | |
| | | | | | | | | | 6 | |
| | | | 39-33-4040 | 5566-04A-210-RE | 39-33-3049 | 5566-04A-210-BU | | | 4 | |
| 39-34-5023 | 5566-02A-210-YE | 39-33-4020 | 5566-02A-210-RE | 39-33-3029 | 5566-02A-210-BU | 39-33-3028 | 5566-02A-210-BL | | 2 | |
| EDP. NO. | ENG. NO. | EDP. NO. | ENG. NO. | EDP. NO. | ENG. NO. | EDP. NO. | ENG. NO. | EDP. NO. | ENG. NO. | CKT. SIZE |
| 5566-NA-210-YE | | 5566-NA-210-RE | | 5566-NA-210-BU | | 5566-NA-210-BL | | | | 24 |
| | | | | | | | | | | 22 |
| | | | | | | | | | | 20 |
| | | | | | | | | | | 18 |
| | | | | | | | | | | 16 |
| 39-33-3145 | 5566-14A-GR | | | 39-33-3166 | 5566-16A-RE | 39-33-3164 | 5566-16A-BU | | | 14 |
| | | | | 39-33-3126 | 5566-12A-RE | 39-33-3124 | 5566-12A-BU | 39-33-3143 | 5566-14A-BL | 12 |
| | | | | 39-33-3106 | 5566-10A-RE | 39-33-3104 | 5566-10A-BU | | | 10 |
| | | 39-33-3087 | 5566-08A-YE | 39-33-3086 | 5566-08A-RE | 39-33-3084 | 5566-08A-BU | 39-33-3083 | 5566-08A-BL | 8 |
| | | 39-33-3067 | 5566-06A-YE | 39-33-3066 | 5566-06A-RE | 39-33-3064 | 5566-06A-BU | 39-33-3063 | 5566-06A-BL | 6 |
| | | | | 39-33-3046 | 5566-04A-RE | 39-33-3044 | 5566-04A-BU | 39-33-3043 | 5566-04A-BL | 4 |
| | | | | 39-33-3026 | 5566-02A-RE | 39-33-3024 | 5566-02A-BU | 39-33-3023 | 5566-02A-BL | 2 |
| EDP. NO. | ENG. NO. | EDP. NO. | ENG. NO. | EDP. NO. | ENG. NO. | EDP. NO. | ENG. NO. | EDP. NO. | ENG. NO. | CKT. SIZE |
| 5566-NA-GR | | 5566-NA-YE | | 5566-NA-RE | | 5566-NA-BU | | 5566-NA-BL | | |

| | | | | | | | | |
|---|--|------------|--|-------------------|--|------------------------|---------------------------|--|
| REVISED EC NO: J2007-2529 DRW: KSAI1001 CHK: KTYODA APPR: NUKITA | GENERAL TOLERANCES (UNLESS SPECIFIED) | | DIMENSION STYLE MM ONLY | | SCALE --- | DESIGN UNITS METRIC | THIRD ANGLE PROJECTION | |
| | 10 UNDER | ± --- | DRAWN BY H.HIRAMOTO | DATE '89/04/03 | TITLE NEW MINI FIT CONNECTOR HEADER HOUSING ASS'Y -LEAD FREE- MOLEX INCORPORATED | | | |
| | 10 OVER 30 UNDER | ± --- | CHECKED BY M.FUKUSHIMA | DATE '94/04/20 | | | | |
| | 30 OVER | ± --- | APPROVED BY M.FUKUSHIMA | DATE '94/04/20 | | | | |
| | ANGULAR ± --- ° | | MATERIAL NO. SEE TABLE | | DOCUMENT NO. SD-5566-002 | SHEET NO. 5 OF 6 | | |
| DRAFT WHERE APPLICABLE MUST REMAIN WITHIN DIMENSIONS | | SIZE A3 | THIS DRAWING CONTAINS INFORMATION THAT IS PROPRIETARY TO MOLEX INCORPORATED AND SHOULD NOT BE USED WITHOUT WRITTEN PERMISSION | | | | | |

fb_frame_A3_1_ME_S
Rev. D 2004/04/02

9 8 7 6 5 4 3 2 1 EN-02JA(021)

10 9 8 7 6 5 4 3 2 1

F

F

E

E

D

D

C

C

B

B

A

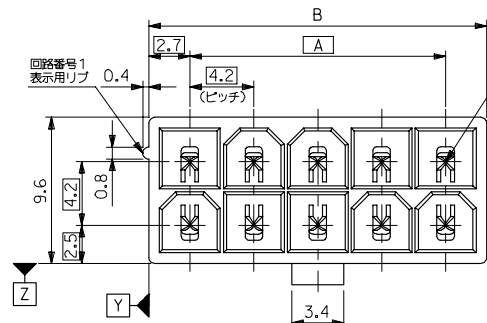
A

| | | | | | | | | |
|------------------|-------------------|----------------|-----------------|--------------|---------------|------------|-------------|-----------|
| 39-54-0245 | 5566-24BGS-210-TA | 39-54-0244 | 5566-24B-210-TA | 39-54-0243 | 5566-24BGS-TA | 39-54-0242 | 5566-24B-TA | 24 |
| ▲ -0225 | ▲ -22BGS-210-TA | ▲ -0224 | ▲ -22B-210-TA | ▲ -0223 | ▲ -22BGS-TA | ▲ -0222 | ▲ -22B-TA | 22 |
| -0205 | -20BGS-210-TA | -0204 | -20B-210-TA | -0203 | -20BGS-TA | -0202 | -20B-TA | 20 |
| -0185 | -18BGS-210-TA | -0184 | -18B-210-TA | -0183 | -18BGS-TA | -0182 | -18B-TA | 18 |
| -0165 | -16BGS-210-TA | -0164 | -16B-210-TA | -0163 | -16BGS-TA | -0162 | -16B-TA | 16 |
| -0145 | -14BGS-210-TA | -0144 | -14B-210-TA | -0143 | -14BGS-TA | -0142 | -14B-TA | 14 |
| -0125 | -12BGS-210-TA | -0124 | -12B-210-TA | -0123 | -12BGS-TA | -0122 | -12B-TA | 12 |
| -0105 | -10BGS-210-TA | -0104 | -10B-210-TA | -0103 | -10BGS-TA | -0102 | -10B-TA | 10 |
| -0085 | -08BGS-210-TA | -0084 | -08B-210-TA | -0083 | -08BGS-TA | -0082 | -08B-TA | 8 |
| -0065 | -06BGS-210-TA | -0064 | -06B-210-TA | -0063 | -06BGS-TA | -0062 | -06B-TA | 6 |
| ▼ -0045 | ▼ -04BGS-210-TA | ▼ -0044 | ▼ -04B-210-TA | ▼ -0043 | ▼ -04BGS-TA | ▼ -0042 | ▼ -04B-TA | 4 |
| 39-54-0025 | 5566-02BGS-210-TA | 39-54-0024 | 5566-02B-210-TA | 39-54-0023 | 5566-02BGS-TA | 39-54-0022 | 5566-02B-TA | 2 |
| EDP NO. | ENG. NO. | EDP NO. | ENG. NO. | EDP NO. | ENG. NO. | EDP NO. | ENG. NO. | CKT. SIZE |
| 5566-NBGS-210-TA | | 5566-NB-210-TA | | 5566-NBGS-TA | | 5566-NB-TA | | |

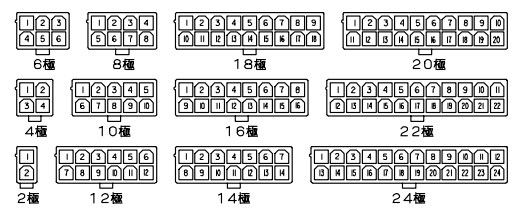
| | | | | | | | | |
|------------------|-------------------|--------------|---------------|----------------|-----------------|------------|-------------|-----------|
| 39-54-0241 | 5566-24AGS-210-TA | 39-54-0240 | 5566-24AGS-TA | 39-53-9249 | 5566-24A-210-TA | 39-53-9248 | 5566-24A-TA | 24 |
| ▲ -0221 | ▲ -22AGS-210-TA | ▲ -0220 | ▲ -22AGS-TA | ▲ -9229 | ▲ -22A-210-TA | ▲ -9228 | ▲ -22A-TA | 22 |
| -0201 | -20AGS-210-TA | -0200 | -20AGS-TA | -9209 | -20A-210-TA | -9208 | -20A-TA | 20 |
| -0181 | -18AGS-210-TA | -0180 | -18AGS-TA | -9189 | -18A-210-TA | -9188 | -18A-TA | 18 |
| -0161 | -16AGS-210-TA | -0160 | -16AGS-TA | -9169 | -16A-210-TA | -9168 | -16A-TA | 16 |
| -0141 | -14AGS-210-TA | -0140 | -14AGS-TA | -9149 | -14A-210-TA | -9148 | -14A-TA | 14 |
| -0121 | -12AGS-210-TA | -0120 | -12AGS-TA | -9129 | -12A-210-TA | -9128 | -12A-TA | 12 |
| -0101 | -10AGS-210-TA | -0100 | -10AGS-TA | -9109 | -10A-210-TA | -9108 | -10A-TA | 10 |
| -0081 | -08AGS-210-TA | -0080 | -08AGS-TA | -9089 | -08A-210-TA | -9088 | -08A-TA | 8 |
| -0061 | -06AGS-210-TA | -0060 | -06AGS-TA | -9069 | -06A-210-TA | -9068 | -06A-TA | 6 |
| ▼ -0041 | ▼ -04AGS-210-TA | ▼ -0040 | ▼ -04AGS-TA | ▼ -9049 | ▼ -04A-210-TA | ▼ -9048 | ▼ -04A-TA | 4 |
| 39-54-0021 | 5566-02AGS-210-TA | 39-54-0020 | 5566-02AGS-TA | 39-53-9029 | 5566-02A-210-TA | 39-53-9028 | 5566-02A-TA | 2 |
| EDP NO. | ENG. NO. | EDP NO. | ENG. NO. | EDP NO. | ENG. NO. | EDP NO. | ENG. NO. | CKT. SIZE |
| 5566-NAGS-210-TA | | 5566-NAGS-TA | | 5566-NA-210-TA | | 5566-NA-TA | | |

| | | | | | | | |
|---|---------------------------------------|--|----------------------------|-----------|-----------------------------|--|---------------------------|
| REVISED EC NO. J2007-2529 DRW:KSAI1001 CHK:KTOYODA APPR:NIKIITA 2007/03/07 2007/03/09 2007/03/12 | GENERAL TOLERANCES (UNLESS SPECIFIED) | | DIMENSION STYLE MM ONLY | | SCALE --- | DESIGN UNITS METRIC | THIRD ANGLE PROJECTION |
| | 10 UNDER | ± --- | DRAWN BY H.HIRAMOTO | | DATE '89/04/03 | TITLE NEW MINI FIT CONNECTOR HEADER HOUSING ASS'Y -LEAD FREE- MOLEX INCORPORATED | |
| | 10 OVER 30 UNDER | ± --- | CHECKED BY M.FUKUSHIMA | | DATE '94/04/20 | | |
| | 30 OVER | ± --- | APPROVED BY M.FUKUSHIMA | | DATE '94/04/20 | | |
| ANGULAR | ± --- ° | MATERIAL NO. | | SEE TABLE | DOCUMENT NO. SD-5566-002 | SHEET NO. 6 OF 6 | |
| DRAFT WHERE APPLICABLE MUST REMAIN WITHIN DIMENSIONS | | THIS DRAWING CONTAINS INFORMATION THAT IS PROPRIETARY TO MOLEX INCORPORATED AND SHOULD NOT BE USED WITHOUT WRITTEN PERMISSION | | | | | |

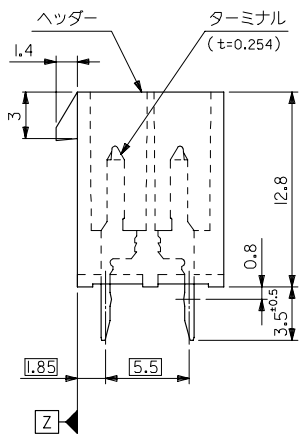
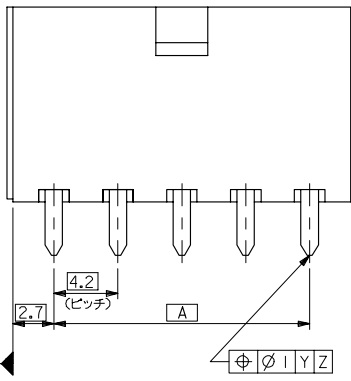
10 9 8 7 6 5 4 3 2 1



| | | |
|------|------|----|
| 51.6 | 46.2 | 24 |
| 47.4 | 42 | 22 |
| 43.2 | 37.8 | 20 |
| 39 | 33.6 | 18 |
| 34.8 | 29.4 | 16 |
| 30.6 | 25.2 | 14 |
| 26.4 | 21 | 12 |
| 22.2 | 16.8 | 10 |
| 18 | 12.6 | 8 |
| 13.8 | 8.4 | 6 |
| 9.6 | 4.2 | 4 |
| 5.4 | — | 2 |
| 寸法 B | 寸法 A | 極数 |

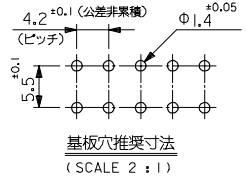


極数別レイアウト図 (SCALE 1:1)



注記

1. 嵌合相手: 5557シリーズ
 2. 使用符号の説明
- 5566 - N A * * * * *
- ベースナンバー _____
- 極数 _____
- アッセンブリー _____
- ターミナル材料
- "BLANK": 黄銅
- PB: リン青銅
- ターミナルのメッキ
- "BLANK": 鍍メッキ 0.9μm MIN.
- GS: ニッケル 1.27μm MIN. 全面下地
- コンタクト部 金 0.76μm MIN.
- 半田付け部 錫 2.54μm MIN.
- ヘッダー材料
- "BLANK": ナイロン 66, UL 94V-2
- 210: ナイロン 66, UL 94V-0
- 400: ナイロン 66, UL 94V-0, 黒
- 色
- BL: 黒色
- BU: 青色
- RE: 赤色
- YE: 黄色
- GR: 灰色



基板穴推奨寸法 (SCALE 2:1)

| | | | | | | | | |
|--|---------------------------------------|---|-----------------------|--------------|---|--------------|------------------------|--------------|
| REVISED EC NO. J2006-2418 DRW: HIRAMOTO CHK: KATOYODA APPR: NUKITA 2006/01/30 2006/02/03 2006/02/06 | GENERAL TOLERANCES (UNLESS SPECIFIED) | | DIMENSION STYLE | | SCALE | DESIGN UNITS | THIRD ANGLE PROJECTION | |
| | 10 UNDER ±0.2 | | MM ONLY | | 4:1 | METRIC | MODEL NO. | |
| | 10 OVER 30 UNDER ±0.3 | | DRAWN BY DATE | | TITLE | | | |
| | 30 OVER ±0.4 | | H. HIRAMOTO '89/05/07 | | NEW MINI FIT CONNECTOR HEADER ASS'Y -LEAD FREE- | | | |
| ANGULAR ±3 ° | | CHECKED BY DATE | | MATERIAL NO. | | DOCUMENT NO. | | |
| DRAFT WHERE APPLICABLE MUST REMAIN WITHIN DIMENSIONS | | M. FUKUSHIMA '91/10/29 | | SEE CHART | | SD-5566-003 | | |
| | | APPROVED BY DATE | | SIZE | | SHEET NO. | | |
| | | M. ENOMOTO '91/10/29 | | A3 | | 1 OF 3 | | |
| | | THIS DRAWING CONTAINS INFORMATION THAT IS PROPRIETARY TO MOLEX INCORPORATED AND SHOULD NOT BE USED WITHOUT WRITTEN PERMISSION | | | | | | EN-02JA(021) |

| | | | | | | | | | | | |
|---|----|---|---|---|---|---|---|---|---------------|----------------|----|
| | 10 | 9 | 8 | 7 | 6 | 5 | 4 | 3 | 2 | 1 | |
| F | | | | | | | | | 39-35-0248 | 5566-24A-400 | 24 |
| | | | | | | | | | ▲ -0228 | ▲ -22A-400 | 22 |
| | | | | | | | | | -0208 | -20A-400 | 20 |
| | | | | | | | | | -0188 | -18A-400 | 18 |
| | | | | | | | | | -0168 | -16A-400 | 16 |
| | | | | | | | | | -0148 | -14A-400 | 14 |
| | | | | | | | | | -0128 | -12A-400 | 12 |
| | | | | | | | | | -0108 | -10A-400 | 10 |
| | | | | | | | | | -0088 | -08A-400 | 8 |
| | | | | | | | | | -0068 | -06A-400 | 6 |
| | | | | | | | | | ▼ -0048 | ▼ -04A-400 | 4 |
| E | | | | | | | | | 39-35-0028 | 5566-02A-400 | 2 |
| | | | | | | | | | EDP NO. | ENG. NO | 極数 |
| | | | | | | | | | 5566-NA-400 | | 極数 |
| D | | | | | | | | | 39-29-5247 | 5566-24APB-210 | 24 |
| | | | | | | | | | ▲ -5227 | ▲ -22APB-210 | 22 |
| | | | | | | | | | -5207 | -20APB-210 | 20 |
| | | | | | | | | | -5187 | -18APB-210 | 18 |
| | | | | | | | | | -5167 | -16APB-210 | 16 |
| | | | | | | | | | -5147 | -14APB-210 | 14 |
| | | | | | | | | | -5127 | -12APB-210 | 12 |
| | | | | | | | | | -5107 | -10APB-210 | 10 |
| | | | | | | | | | -5087 | -08APB-210 | 8 |
| | | | | | | | | | -5067 | -06APB-210 | 6 |
| | | | | | | | | | ▼ -5047 | ▼ -04APB-210 | 4 |
| | | | | | | | | | 39-29-5027 | 5566-02APB-210 | 2 |
| | | | | | | | | | EDP NO. | ENG. NO | 極数 |
| | | | | | | | | | 5566-NAPB-210 | | 極数 |
| C | | | | | | | | | 39-29-5246 | 5566-24APB | 24 |
| | | | | | | | | | ▲ -5226 | ▲ -22APB | 22 |
| | | | | | | | | | -5206 | -20APB | 20 |
| | | | | | | | | | -5186 | -18APB | 18 |
| | | | | | | | | | -5166 | -16APB | 16 |
| | | | | | | | | | -5146 | -14APB | 14 |
| | | | | | | | | | -5126 | -12APB | 12 |
| | | | | | | | | | -5106 | -10APB | 10 |
| | | | | | | | | | -5086 | -08APB | 8 |
| | | | | | | | | | -5066 | -06APB | 6 |
| | | | | | | | | | ▼ -5046 | ▼ -04APB | 4 |
| | | | | | | | | | 39-29-5026 | 5566-02APB | 2 |
| | | | | | | | | | EDP NO. | ENG. NO | 極数 |
| | | | | | | | | | 5566-NAGS-210 | | 極数 |
| B | | | | | | | | | 39-29-0243 | 5566-24AGS | 24 |
| | | | | | | | | | ▲ -0223 | ▲ -22AGS | 22 |
| | | | | | | | | | -0203 | -20AGS | 20 |
| | | | | | | | | | -0183 | -18AGS | 18 |
| | | | | | | | | | -0163 | -16AGS | 16 |
| | | | | | | | | | -0143 | -14AGS | 14 |
| | | | | | | | | | -0123 | -12AGS | 12 |
| | | | | | | | | | -0103 | -10AGS | 10 |
| | | | | | | | | | -0083 | -08AGS | 8 |
| | | | | | | | | | -0063 | -06AGS | 6 |
| | | | | | | | | | ▼ -0043 | ▼ -04AGS | 4 |
| | | | | | | | | | 39-28-1023 | 5566-02A | 2 |
| | | | | | | | | | EDP NO. | ENG. NO | 極数 |
| | | | | | | | | | 5566-NA | | 極数 |

| | | | | | | | |
|---|---------------------------------------|------------|--|-------------------|--|------------------------|---------------------------|
| REVISED EC NO. J2006-2418 DRW:HWABEI CHK:KATOYODA APPR:NUMITA 2006/01/30 2006/02/03 2006/02/06 | GENERAL TOLERANCES (UNLESS SPECIFIED) | | DIMENSION STYLE MM ONLY | | SCALE --- | DESIGN UNITS METRIC | THIRD ANGLE PROJECTION |
| | 10 UNDER | ± --- | DRAWN BY H.HIRAMOTO | DATE '89/05/07 | TITLE NEW MINI FIT CONNECTOR HEADER ASS'Y -LEAD FREE- MOLEX INCORPORATED | | |
| | 10 OVER 30 UNDER | ± --- | CHECKED BY M.FUKUSHIMA | DATE '91/10/29 | | | |
| | 30 OVER | ± --- | APPROVED BY M.ENOMOTO | DATE '91/10/29 | | | |
| | ANGULAR | ± --- ° | MATERIAL NO. SEE CHART | | DOCUMENT NO. SD-5566-003 | SHEET NO. 2 OF 3 | |
| DRAFT WHERE APPLICABLE MUST REMAIN WITHIN DIMENSIONS | | SIZE A3 | THIS DRAWING CONTAINS INFORMATION THAT IS PROPRIETARY TO MOLEX INCORPORATED AND SHOULD NOT BE USED WITHOUT WRITTEN PERMISSION | | | | |

10 9 8 7 6 5 4 3 2 1

F

E

D

C

B

A

F

E

D

C

B

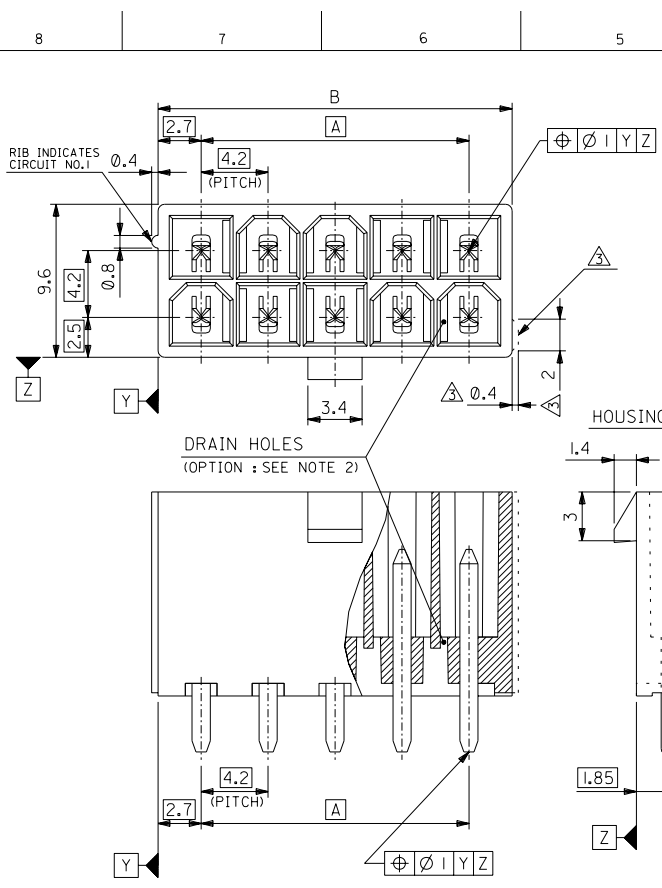
A

| | | | | | | | | | |
|----------------|-----------------|----------------|-----------------|-----------------|-----------------|-----------------|-----------------|-----------------|-------------|
| | | | | | | | | | 24 |
| | | | | | | | | | 22 |
| | | | | | | | | | 20 |
| | | | | | | | | | 18 |
| | | | | | 39-33-3169 | 5566-16A-210-BU | 39-33-3168 | 5566-16A-210-BL | 16 |
| | | | | | | | | | 14 |
| | | | | | | | | | 12 |
| | | | 39-33-4100 | 5566-10A-210-RE | 39-33-3109 | 5566-10A-210-BU | 39-33-3108 | 5566-10A-210-BL | 10 |
| | | | | | | | 39-33-3088 | 5566-08A-210-BL | 8 |
| | | | | | | | | | 6 |
| | | | 39-33-4040 | 5566-04A-210-RE | 39-33-3049 | 5566-04A-210-BU | | | 4 |
| 39-34-5023 | 5566-02A-210-YE | 39-33-4020 | 5566-02A-210-RE | 39-33-3029 | 5566-02A-210-BU | 39-33-3028 | 5566-02A-210-BL | | 2 |
| EDP. NO. | ENG. NO. | EDP. NO. | ENG. NO. | EDP. NO. | ENG. NO. | EDP. NO. | ENG. NO. | | 極数 |
| 5566-NA-210-YE | | 5566-NA-210-RE | | 5566-NA-210-BU | | 5566-NA-210-BL | | | 24 |
| | | | | | | | | | 22 |
| | | | | | | | | | 20 |
| | | | | | | | | | 18 |
| | | | | | | | | | 16 |
| 39-33-3145 | 5566-14A-GR | | | 39-33-3166 | 5566-16A-RE | 39-33-3164 | 5566-16A-BU | | 14 |
| | | | | | | | 39-33-3143 | 5566-14A-BL | 12 |
| | | | | 39-33-3126 | 5566-12A-RE | 39-33-3124 | 5566-12A-BU | | 10 |
| | | | | 39-33-3106 | 5566-10A-RE | 39-33-3104 | 5566-10A-BU | | 8 |
| | | 39-33-3087 | 5566-08A-YE | 39-33-3086 | 5566-08A-RE | 39-33-3084 | 5566-08A-BU | | 6 |
| | | 39-33-3067 | 5566-06A-YE | 39-33-3066 | 5566-06A-RE | 39-33-3064 | 5566-06A-BU | | 4 |
| | | | | 39-33-3046 | 5566-04A-RE | 39-33-3044 | 5566-04A-BU | 39-33-3043 | 5566-04A-BL |
| | | | | 39-33-3026 | 5566-02A-RE | 39-33-3024 | 5566-02A-BU | 39-33-3023 | 5566-02A-BL |
| EDP. NO. | ENG. NO. | EDP. NO. | ENG. NO. | EDP. NO. | ENG. NO. | EDP. NO. | ENG. NO. | EDP. NO. | ENG. NO. |
| 5566-NA-GR | | 5566-NA-YE | | 5566-NA-RE | | 5566-NA-BU | | 5566-NA-BL | |
| | | | | | | | | | 極数 |

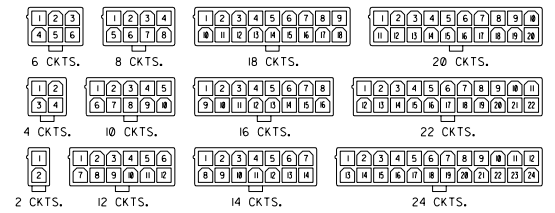
| | | | | | | | |
|---|---------------------------------------|------------|--|-------------------|--|------------------------|---------------------------|
| REVISED EC NO. J2006-2418 DRW: HIRAMOTO CHK: KIKUCHI APPR: NUKITA 2006/01/30 2006/02/03 2006/02/06 | GENERAL TOLERANCES (UNLESS SPECIFIED) | | DIMENSION STYLE MM ONLY | | SCALE --- | DESIGN UNITS METRIC | THIRD ANGLE PROJECTION |
| | 10 UNDER | ± --- | DRAWN BY H. HIRAMOTO | DATE '89/05/07 | TITLE NEW MINI FIT CONNECTOR HEADER ASS'Y -LEAD FREE- MOLEX INCORPORATED | | |
| | 10 OVER 30 UNDER | ± --- | CHECKED BY M. FUKUSHIMA | DATE '91/10/29 | | | |
| | 30 OVER | ± --- | APPROVED BY M. ENOMOTO | DATE '91/10/29 | | | |
| | ANGULAR | ± --- ° | MATERIAL NO. SEE CHART | | DOCUMENT NO. SD-5566-003 | SHEET NO. 3 OF 3 | |
| DRAFT WHERE APPLICABLE MUST REMAIN WITHIN DIMENSIONS | | SIZE A3 | THIS DRAWING CONTAINS INFORMATION THAT IS PROPRIETARY TO MOLEX INCORPORATED AND SHOULD NOT BE USED WITHOUT WRITTEN PERMISSION | | | | |

DWG. NO. SD-5566-N*****

MM DIMENSIONS IN METRIC DO NOT SCALE DRAWING

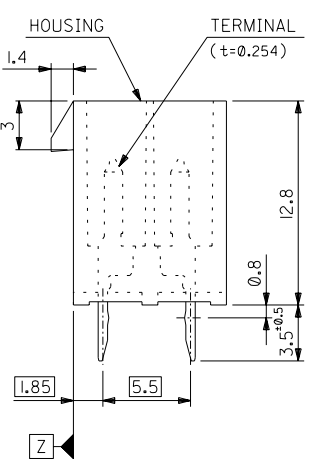
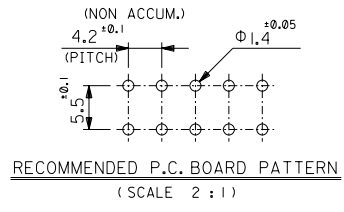
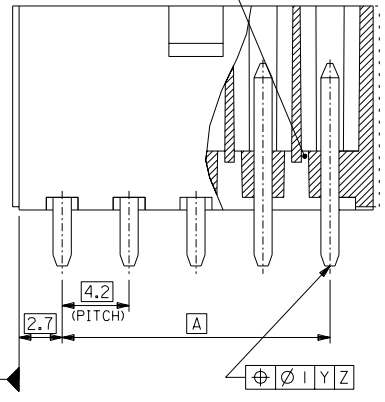


| | | |
|--------|--------|-----------|
| 51.6 | 46.2 | 24 |
| 47.4 | 42 | 22 |
| 43.2 | 37.8 | 20 |
| 39 | 33.6 | 18 |
| 34.8 | 29.4 | 16 |
| 30.6 | 25.2 | 14 |
| 26.4 | 21 | 12 |
| 22.2 | 16.8 | 10 |
| 18 | 12.6 | 8 |
| 13.8 | 8.4 | 6 |
| 9.6 | 4.2 | 4 |
| 5.4 | — | 2 |
| DIM. B | DIM. A | CKT. SIZE |



CIRCUIT SIZE LAYOUT (SCALE 1:1)

DRAIN HOLES (OPTION : SEE NOTE 2)



NOTES

- MATE WITH : 5557 SERIES
 - LEGEND
 - BASE NUMBER: 5566 - N * * * * *
 - CIRCUIT SIZE: _____
 - ASS'Y TYPE: _____
 - A : WITHOUT DRAIN HOLES
 - B : WITH DRAIN HOLES
 - TERMINAL MATERIAL: _____
 - "BLANK" : BRASS
 - PB : PHOSPHOR BRONZE
 - TERMINAL PLATING: _____
 - "BLANK" : BRIGHT TIN 0.9μm MIN. OVER COPPER 0.5μm MIN. (BRASS) TIN 0.9μm MIN. REFLOW TREATMENT OR BRIGHT TIN 0.9μm MIN. (PHOSPHOR BRONZE)
 - S : BRIGHT TIN 2.54μm MIN. OVER NICKEL 1.27μm MIN.
 - GS : SELECT GOLD 0.76μm MIN. AND SELECT PURE TIN 2.54μm MIN. OVER NICKEL 1.27μm MIN.
 - GS2 : SELECT GOLD 0.38μm MIN. AND SELECT PURE TIN 2.54μm MIN. OVER NICKEL 1.27μm MIN.
 - HOUSING MATERIAL: _____
 - "BLANK" : NYLON 66, UL94V-2
 - 210 : NYLON 66, UL94V-0
 - 310 : C.F. 30% PCT, UL94V-0
 - 400 : NYLON 66, UL94V-0, BLACK
- EXTERNAL RIB APPEARS ON MX-USA PARTS ONLY.

| | | | | | | | |
|--------------------|------|----------------------|----------------------------|-----------|-------------|------------------------------|---|
| 5566-N***** | J | REVISED (J2004-4416) | M.N. K.T. | 04/5/25 | 材料 MATERIAL | SEE NOTE 2 | molex MOLEX-JAPAN CO.,LTD. 日本モレックス株式会社 |
| MODEL NO. | H | REVISED (J40308) | H.H. M.F. | 94/4/8 | 仕上げ FINISH | SEE NOTE 2 | |
| 角度 ANGLE | ±3° | G | REVISED (J10190) | H.H. Y.Y. | 91/3/7 | 適用電線範囲 WIRE RANGE | TITLE 名称 |
| 30°以上 OVER | ±0.4 | F | REVISED (J00638) | H.H. Y.Y. | 90/6/8 | 被覆外径 INS. RANGE | NEW MINI FIT CONNECTOR HEADER HOUSING ASS'Y -LEAD FREE- |
| 10°以上 UNDER | ±0.2 | E | REVISED (J90681) | H.H. Y.Y. | 89/8/25 | DRAWN BY 89/4/3 H.HIRAMOTO | DWG. NO. SHEET 1 OF 4 REV |
| 10°以下 UNDER | ±0.2 | D | REVISED & REDRAWN (J90237) | H.H. Y.Y. | 89/4/3 | CHK'D BY 94/4/28 M.FUKUSHIMA | SD-5566-N***** J |
| GENERAL TOLERANCES | 一般公差 | 記号 | 公差内容 | DATE | 尺度 | SCALE 4:1 | |

THIS DRAWING CONTAINS INFORMATION THAT IS PROPRIETARY TO MOLEX(JAPAN) AND SHOULD NOT BE USED WITHOUT WRITTEN PERMISSION. 本図面は日本モレックス(株)の所有する権利を含むもので、当社の許可なく複製を禁止する。 EN-01C(032)MXJ-32

| | | | | | | | | | | | | | | | | | |
|---------------------------|------------|----------------|------------|-----------------|-------------|----------------|------------|----------------|------------|---------------|------------|--------------|------------|--------------|------------|--------------|-----------|
| DWG. NO. SD-5566-N**** | 8 | | 7 | | 6 | | 5 | | 4 | | 3 | | 2 | | 1 | | 24 |
| | NOT TOOLED | 5566-24APB-310 | NOT TOOLED | 5566-24AGS2-310 | NOT TOOLED | 5566-24AGS-310 | NOT TOOLED | 5566-24AGS-310 | NOT TOOLED | 5566-24AS-310 | NOT TOOLED | 5566-24A-310 | NOT TOOLED | 5566-24A-310 | NOT TOOLED | 5566-24A-310 | 24 |
| | ↑ | ↑ | ↑ | ↑ | ↑ | ↑ | ↑ | ↑ | ↑ | ↑ | ↑ | ↑ | ↑ | ↑ | ↑ | ↑ | 22 |
| | | -22APB-310 | | -22AGS2-310 | | -22AGS-310 | | -22AGS-310 | | -22AS-310 | | -22A-310 | | -22A-310 | | -22A-310 | 22 |
| | | -20APB-310 | | -20AGS2-310 | | -20AGS-310 | | -20AGS-310 | | -20AS-310 | | -20A-310 | | -20A-310 | | -20A-310 | 20 |
| | | -18APB-310 | | -18AGS2-310 | | -18AGS-310 | | -18AGS-310 | | -18AS-310 | | -18A-310 | | -18A-310 | | -18A-310 | 18 |
| | | -16APB-310 | | -16AGS2-310 | | -16AGS-310 | | -16AGS-310 | | -16AS-310 | | -16A-310 | | -16A-310 | | -16A-310 | 16 |
| | | -14APB-310 | | -14AGS2-310 | | -14AGS-310 | | -14AGS-310 | | -14AS-310 | | -14A-310 | | -14A-310 | | -14A-310 | 14 |
| | | -12APB-310 | | -12AGS2-310 | | -12AGS-310 | | -12AGS-310 | | -12AS-310 | | -12A-310 | | -12A-310 | | -12A-310 | 12 |
| | | -10APB-310 | | -10AGS2-310 | | -10AGS-310 | | -10AGS-310 | | -10AS-310 | | -10A-310 | | -10A-310 | | -10A-310 | 10 |
| | | -08APB-310 | | -08AGS2-310 | | -08AGS-310 | | -08AGS-310 | | -08AS-310 | | -08A-310 | | -08A-310 | | -08A-310 | 8 |
| | | -06APB-310 | | -06AGS2-310 | | -06AGS-310 | | -06AGS-310 | | -06AS-310 | | -06A-310 | | -06A-310 | | -06A-310 | 6 |
| | | -04APB-310 | | -04AGS2-310 | | -04AGS-310 | | -04AGS-310 | | -04AS-310 | | -04A-310 | | -04A-310 | | -04A-310 | 4 |
| | ↓ | ↓ | ↓ | ↓ | ↓ | ↓ | ↓ | ↓ | ↓ | ↓ | ↓ | ↓ | ↓ | ↓ | ↓ | ↓ | 2 |
| | EDP NO. | 5566-NAPB-310 | EDP NO. | 5566-NAGS2-310 | EDP NO. | 5566-NAGS-310 | EDP NO. | 5566-NAGS-310 | EDP NO. | 5566-NAS-310 | EDP NO. | 5566-NA-310 | EDP NO. | 5566-NA-310 | EDP NO. | 5566-NA-310 | CKT. SIZE |
| | ENG. NO. | 5566-NAPB-310 | ENG. NO. | 5566-NAGS2-310 | ENG. NO. | 5566-NAGS-310 | ENG. NO. | 5566-NAGS-310 | ENG. NO. | 5566-NAS-310 | ENG. NO. | 5566-NA-310 | ENG. NO. | 5566-NA-310 | ENG. NO. | 5566-NA-310 | CKT. SIZE |
| | 39-29-5247 | 5566-24APB-210 | 39-30-9245 | 5566-24AGS2-210 | 39-29-6248 | 5566-24AGS-210 | 39-30-6242 | 5566-24AS-210 | 39-28-8240 | 5566-24A-210 | 39-28-8240 | 5566-24A-210 | 39-28-8240 | 5566-24A-210 | 39-28-8240 | 5566-24A-210 | 24 |
| | ↑ | ↑ | ↑ | ↑ | ↑ | ↑ | ↑ | ↑ | ↑ | ↑ | ↑ | ↑ | ↑ | ↑ | ↑ | ↑ | 22 |
| | | -5227 | -22APB-210 | -9225 | -22AGS2-210 | -6228 | -22AGS-210 | -6222 | -22AS-210 | -8220 | -22A-210 | -8220 | -22A-210 | -8220 | -22A-210 | -22A-210 | 22 |
| | | -5207 | -20APB-210 | -9205 | -20AGS2-210 | -6208 | -20AGS-210 | -6202 | -20AS-210 | -8200 | -20A-210 | -8200 | -20A-210 | -8200 | -20A-210 | -20A-210 | 20 |
| | | -5187 | -18APB-210 | -9185 | -18AGS2-210 | -6188 | -18AGS-210 | -6182 | -18AS-210 | -8180 | -18A-210 | -8180 | -18A-210 | -8180 | -18A-210 | -18A-210 | 18 |
| | | -5167 | -16APB-210 | -9165 | -16AGS2-210 | -6168 | -16AGS-210 | -6162 | -16AS-210 | -8160 | -16A-210 | -8160 | -16A-210 | -8160 | -16A-210 | -16A-210 | 16 |
| | | -5147 | -14APB-210 | -9145 | -14AGS2-210 | -6148 | -14AGS-210 | -6142 | -14AS-210 | -8140 | -14A-210 | -8140 | -14A-210 | -8140 | -14A-210 | -14A-210 | 14 |
| | | -5127 | -12APB-210 | -9125 | -12AGS2-210 | -6128 | -12AGS-210 | -6122 | -12AS-210 | -8120 | -12A-210 | -8120 | -12A-210 | -8120 | -12A-210 | -12A-210 | 12 |
| | | -5107 | -10APB-210 | -9105 | -10AGS2-210 | -6108 | -10AGS-210 | -6102 | -10AS-210 | -8100 | -10A-210 | -8100 | -10A-210 | -8100 | -10A-210 | -10A-210 | 10 |
| | | -5087 | -08APB-210 | -9085 | -08AGS2-210 | -6088 | -08AGS-210 | -6082 | -08AS-210 | -8080 | -08A-210 | -8080 | -08A-210 | -8080 | -08A-210 | -08A-210 | 8 |
| | | -5067 | -06APB-210 | -9065 | -06AGS2-210 | -6068 | -06AGS-210 | -6062 | -06AS-210 | -8060 | -06A-210 | -8060 | -06A-210 | -8060 | -06A-210 | -06A-210 | 6 |
| | | -5047 | -04APB-210 | -9045 | -04AGS2-210 | -6048 | -04AGS-210 | -6042 | -04AS-210 | -8040 | -04A-210 | -8040 | -04A-210 | -8040 | -04A-210 | -04A-210 | 4 |
| | ↓ | ↓ | ↓ | ↓ | ↓ | ↓ | ↓ | ↓ | ↓ | ↓ | ↓ | ↓ | ↓ | ↓ | ↓ | ↓ | 2 |
| | 39-29-5027 | 5566-02APB-210 | 39-30-9025 | 5566-02AGS2-210 | 39-29-6028 | 5566-02AGS-210 | 39-30-6022 | 5566-02AS-210 | 39-28-8020 | 5566-02A-210 | 39-28-8020 | 5566-02A-210 | 39-28-8020 | 5566-02A-210 | 39-28-8020 | 5566-02A-210 | 2 |
| | EDP NO. | 5566-NAPB-210 | EDP NO. | 5566-NAGS2-210 | EDP NO. | 5566-NAGS-210 | EDP NO. | 5566-NAS-210 | EDP NO. | 5566-NA-210 | EDP NO. | 5566-NA-210 | EDP NO. | 5566-NA-210 | EDP NO. | 5566-NA-210 | CKT. SIZE |
| | ENG. NO. | 5566-NAPB-210 | ENG. NO. | 5566-NAGS2-210 | ENG. NO. | 5566-NAGS-210 | ENG. NO. | 5566-NAS-210 | ENG. NO. | 5566-NA-210 | ENG. NO. | 5566-NA-210 | ENG. NO. | 5566-NA-210 | ENG. NO. | 5566-NA-210 | CKT. SIZE |
| | 39-29-5246 | 5566-24APB | 39-30-9244 | 5566-24AGS2 | 39-29-0243 | 5566-24AGS | 39-30-6241 | 5566-24AS | 39-28-1243 | 5566-24A | 39-28-1243 | 5566-24A | 39-28-1243 | 5566-24A | 39-28-1243 | 5566-24A | 24 |
| | ↑ | ↑ | ↑ | ↑ | ↑ | ↑ | ↑ | ↑ | ↑ | ↑ | ↑ | ↑ | ↑ | ↑ | ↑ | ↑ | 22 |
| | | -5226 | -22APB | -9224 | -22AGS2 | -0223 | -22AGS | -6221 | -22AS | -1223 | -22A | -1223 | -22A | -1223 | -22A | -22A | 22 |
| | | -5206 | -20APB | -9204 | -20AGS2 | -0203 | -20AGS | -6201 | -20AS | -1203 | -20A | -1203 | -20A | -1203 | -20A | -20A | 20 |
| | | -5186 | -18APB | -9184 | -18AGS2 | -0183 | -18AGS | -6181 | -18AS | -1183 | -18A | -1183 | -18A | -1183 | -18A | -18A | 18 |
| | | -5166 | -16APB | -9164 | -16AGS2 | -0163 | -16AGS | -6161 | -16AS | -1163 | -16A | -1163 | -16A | -1163 | -16A | -16A | 16 |
| | | -5146 | -14APB | -9144 | -14AGS2 | -0143 | -14AGS | -6141 | -14AS | -1143 | -14A | -1143 | -14A | -1143 | -14A | -14A | 14 |
| | | -5126 | -12APB | -9124 | -12AGS2 | -0123 | -12AGS | -6121 | -12AS | -1123 | -12A | -1123 | -12A | -1123 | -12A | -12A | 12 |
| | | -5106 | -10APB | -9104 | -10AGS2 | -0103 | -10AGS | -6101 | -10AS | -1103 | -10A | -1103 | -10A | -1103 | -10A | -10A | 10 |
| | | -5086 | -08APB | -9084 | -08AGS2 | -0083 | -08AGS | -6081 | -08AS | -1083 | -08A | -1083 | -08A | -1083 | -08A | -08A | 8 |
| | | -5066 | -06APB | -9064 | -06AGS2 | -0063 | -06AGS | -6061 | -06AS | -1063 | -06A | -1063 | -06A | -1063 | -06A | -06A | 6 |
| | | -5046 | -04APB | -9044 | -04AGS2 | -0043 | -04AGS | -6041 | -04AS | -1043 | -04A | -1043 | -04A | -1043 | -04A | -04A | 4 |
| | ↓ | ↓ | ↓ | ↓ | ↓ | ↓ | ↓ | ↓ | ↓ | ↓ | ↓ | ↓ | ↓ | ↓ | ↓ | ↓ | 2 |
| | 39-29-5026 | 5566-02APB | 39-30-9024 | 5566-02AGS2 | 39-29-0023 | 5566-02AGS | 39-30-6021 | 5566-02AS | 39-28-1023 | 5566-02A | 39-28-1023 | 5566-02A | 39-28-1023 | 5566-02A | 39-28-1023 | 5566-02A | 2 |
| | EDP NO. | 5566-NAPB | EDP NO. | 5566-NAGS2 | EDP NO. | 5566-NAGS | EDP NO. | 5566-NAS | EDP NO. | 5566-NA | EDP NO. | 5566-NA | EDP NO. | 5566-NA | EDP NO. | 5566-NA | CKT. SIZE |
| | ENG. NO. | 5566-NAPB | ENG. NO. | 5566-NAGS2 | ENG. NO. | 5566-NAGS | ENG. NO. | 5566-NAS | ENG. NO. | 5566-NA | ENG. NO. | 5566-NA | ENG. NO. | 5566-NA | ENG. NO. | 5566-NA | CKT. SIZE |

DIMENSIONS IN METRIC DO NOT SCALE DRAWING

| | | | | | | | | | |
|-------------------------|-------|------------------|------------------|--------|---------|------------|-------------------|---------------------------|---|
| 5566-N**** | | J | SEE SHEET 1 OF 4 | M,N | K,T | 04/5/25 | 材料 MATERIAL | SEE NOTE 2 | MOLEX JAPAN CO.,LTD. 日本モレックス株式会社 |
| MODEL NO. | H | SEE SHEET 1 OF 4 | H,H | M,F | 04/4/19 | 仕上げ FINISH | SEE NOTE 2 | REVISE ONLY ON CAD SYSTEM | |
| 角度 ANGLE | ±0.1 | G | SEE SHEET 1 OF 4 | H,H | Y,Y | 01/3/17 | 適用電線範囲 WIRE RANGE | --- | TITLE 名称 |
| 30以上 OVER | ±0.3 | F | SEE SHEET 1 OF 4 | H,H | Y,Y | 00/6/18 | 被覆外径 INS. RANGE | --- | NEW MINI FIT CONNECTOR HEADER HOUSING ASS'Y -LEAD FREE- |
| 10以上 未満 UNDER | ±0.25 | E | SEE SHEET 1 OF 4 | H,H | Y,Y | 03/8/25 | DRAWN BY 03/4/3 | CHK'D BY 04/4/20 | DWG. NO. SHEET 2 OF 4 REV |
| 10未満 UNDER | ±0.2 | D | SEE SHEET 1 OF 4 | H,H | Y,Y | 03/4/3 | APP'D BY 04/4/20 | M.FUKUSHIMA | SD-5566-N**** |
| 一般公差 GENERAL TOLERANCES | | | | 記号 LTR | 変更内容 | 日付 | 尺度 SCALE | --- | J |

THIS DRAWING CONTAINS INFORMATION THAT IS PROPRIETARY TO MOLEX/JAPAN AND SHOULD NOT BE USED WITHOUT WRITTEN PERMISSION
本図面は日本モレックス(株)の所有する権利を含むもので、当社の許可なく複製を禁止する。 EN-01C(032)MXJ-32

| | | | | | | | | | | | |
|---------------------------|----------------|-----------------|--------------|----------------|----------------|---------------|------------|--------------|---------------|-----------------|-----------|
| | 8 | 7 | 6 | 5 | 4 | 3 | 2 | 1 | | | |
| DWG. NO. SD-5566-N**** | NOT TOOLED | 5566-24BGS2-310 | NOT TOOLED | 5566-24BGS-310 | NOT TOOLED | 5566-24BS-310 | NOT TOOLED | 5566-24B-310 | NOT TOOLED | 5566-24APBS-310 | 24 |
| | ↑ | ↑ | ↑ | ↑ | ↑ | ↑ | ↑ | ↑ | ↑ | ↑ | 22 |
| | | ↑ -22BGS2-310 | | ↑ -22BGS-310 | | ↑ -22BS-310 | | ↑ -22B-310 | | ↑ -22APBS-310 | 20 |
| | | ↑ -20BGS2-310 | | ↑ -20BGS-310 | | ↑ -20BS-310 | | ↑ -20B-310 | | ↑ -20APBS-310 | 18 |
| | | ↑ -18BGS2-310 | | ↑ -18BGS-310 | | ↑ -18BS-310 | | ↑ -18B-310 | | ↑ -18APBS-310 | 16 |
| | | ↑ -16BGS2-310 | | ↑ -16BGS-310 | | ↑ -16BS-310 | | ↑ -16B-310 | | ↑ -16APBS-310 | 14 |
| | | ↑ -14BGS2-310 | | ↑ -14BGS-310 | | ↑ -14BS-310 | | ↑ -14B-310 | | ↑ -14APBS-310 | 12 |
| | | ↑ -12BGS2-310 | | ↑ -12BGS-310 | | ↑ -12BS-310 | | ↑ -12B-310 | | ↑ -12APBS-310 | 10 |
| | | ↑ -10BGS2-310 | | ↑ -10BGS-310 | | ↑ -10BS-310 | | ↑ -10B-310 | | ↑ -10APBS-310 | 8 |
| | | ↑ -08BGS2-310 | | ↑ -08BGS-310 | | ↑ -08BS-310 | | ↑ -08B-310 | | ↑ -08APBS-310 | 6 |
| | ↑ -06BGS2-310 | | ↑ -06BGS-310 | | ↑ -06BS-310 | | ↑ -06B-310 | | ↑ -06APBS-310 | 4 | |
| | ↑ -04BGS2-310 | | ↑ -04BGS-310 | | ↑ -04BS-310 | | ↑ -04B-310 | | ↑ -04APBS-310 | 2 | |
| | ↓ | ↓ | ↓ | ↓ | ↓ | ↓ | ↓ | ↓ | ↓ | 2 | |
| | NOT TOOLED | 5566-02BGS2-310 | NOT TOOLED | 5566-02BGS-310 | NOT TOOLED | 5566-02BS-310 | NOT TOOLED | 5566-02B-310 | NOT TOOLED | 5566-02APBS-310 | 24 |
| | EDP NO. | ENG. NO. | EDP NO. | ENG. NO. | EDP NO. | ENG. NO. | EDP NO. | ENG. NO. | EDP NO. | ENG. NO. | CKT. SIZE |
| | 5566-NBGS2-310 | 5566-NBGS-310 | 5566-NBS-310 | 5566-NB-310 | 5566-NAPBS-310 | | | | | | |
| | 39-30-9247 | 5566-24BGS2-210 | 39-31-0248 | 5566-24BGS-210 | 39-31-0242 | 5566-24BS-210 | 39-31-0240 | 5566-24B-210 | 39-30-6244 | 5566-24APBS-210 | 24 |
| | ↑ -9227 | ↑ -22BGS2-210 | ↑ -0228 | ↑ -22BGS-210 | ↑ -0222 | ↑ -22BS-210 | ↑ -0220 | ↑ -22B-210 | ↑ -6224 | ↑ -22APBS-210 | 22 |
| | ↑ -9207 | ↑ -20BGS2-210 | ↑ -0208 | ↑ -20BGS-210 | ↑ -0202 | ↑ -20BS-210 | ↑ -0200 | ↑ -20B-210 | ↑ -6204 | ↑ -20APBS-210 | 20 |
| | ↑ -9187 | ↑ -18BGS2-210 | ↑ -0188 | ↑ -18BGS-210 | ↑ -0182 | ↑ -18BS-210 | ↑ -0180 | ↑ -18B-210 | ↑ -6184 | ↑ -18APBS-210 | 18 |
| | ↑ -9167 | ↑ -16BGS2-210 | ↑ -0168 | ↑ -16BGS-210 | ↑ -0162 | ↑ -16BS-210 | ↑ -0160 | ↑ -16B-210 | ↑ -6164 | ↑ -16APBS-210 | 16 |
| | ↑ -9147 | ↑ -14BGS2-210 | ↑ -0148 | ↑ -14BGS-210 | ↑ -0142 | ↑ -14BS-210 | ↑ -0140 | ↑ -14B-210 | ↑ -6144 | ↑ -14APBS-210 | 14 |
| | ↑ -9127 | ↑ -12BGS2-210 | ↑ -0128 | ↑ -12BGS-210 | ↑ -0122 | ↑ -12BS-210 | ↑ -0120 | ↑ -12B-210 | ↑ -6124 | ↑ -12APBS-210 | 12 |
| | ↑ -9107 | ↑ -10BGS2-210 | ↑ -0108 | ↑ -10BGS-210 | ↑ -0102 | ↑ -10BS-210 | ↑ -0100 | ↑ -10B-210 | ↑ -6104 | ↑ -10APBS-210 | 10 |
| | ↑ -9087 | ↑ -08BGS2-210 | ↑ -0088 | ↑ -08BGS-210 | ↑ -0082 | ↑ -08BS-210 | ↑ -0080 | ↑ -08B-210 | ↑ -6084 | ↑ -08APBS-210 | 8 |
| | ↑ -9067 | ↑ -06BGS2-210 | ↑ -0068 | ↑ -06BGS-210 | ↑ -0062 | ↑ -06BS-210 | ↑ -0060 | ↑ -06B-210 | ↑ -6064 | ↑ -06APBS-210 | 6 |
| | ↑ -9047 | ↑ -04BGS2-210 | ↑ -0048 | ↑ -04BGS-210 | ↑ -0042 | ↑ -04BS-210 | ↑ -0040 | ↑ -04B-210 | ↑ -6044 | ↑ -04APBS-210 | 4 |
| | ↓ | ↓ | ↓ | ↓ | ↓ | ↓ | ↓ | ↓ | ↓ | ↓ | 2 |
| | 39-30-9027 | 5566-02BGS2-210 | 39-31-0028 | 5566-02BGS-210 | 39-31-0022 | 5566-02BS-210 | 39-31-0020 | 5566-02B-210 | 39-30-6024 | 5566-02APBS-210 | 24 |
| | EDP NO. | ENG. NO. | EDP NO. | ENG. NO. | EDP NO. | ENG. NO. | EDP NO. | ENG. NO. | EDP NO. | ENG. NO. | CKT. SIZE |
| | 5566-NBGS2-210 | 5566-NBGS-210 | 5566-NBS-210 | 5566-NB-210 | 5566-NAPBS-210 | | | | | | |
| | 39-30-9246 | 5566-24BGS2 | 39-31-0247 | 5566-24BGS | 39-31-0241 | 5566-24BS | 39-29-3246 | 5566-24B | 39-30-6243 | 5566-24APBS | 24 |
| | ↑ -9226 | ↑ -22BGS2 | ↑ -0227 | ↑ -22BGS | ↑ -0221 | ↑ -22BS | ↑ -3226 | ↑ -22B | ↑ -6223 | ↑ -22APBS | 22 |
| | ↑ -9206 | ↑ -20BGS2 | ↑ -0207 | ↑ -20BGS | ↑ -0201 | ↑ -20BS | ↑ -3206 | ↑ -20B | ↑ -6203 | ↑ -20APBS | 20 |
| | ↑ -9186 | ↑ -18BGS2 | ↑ -0187 | ↑ -18BGS | ↑ -0181 | ↑ -18BS | ↑ -3186 | ↑ -18B | ↑ -6183 | ↑ -18APBS | 18 |
| | ↑ -9166 | ↑ -16BGS2 | ↑ -0167 | ↑ -16BGS | ↑ -0161 | ↑ -16BS | ↑ -3166 | ↑ -16B | ↑ -6163 | ↑ -16APBS | 16 |
| | ↑ -9146 | ↑ -14BGS2 | ↑ -0147 | ↑ -14BGS | ↑ -0141 | ↑ -14BS | ↑ -3146 | ↑ -14B | ↑ -6143 | ↑ -14APBS | 14 |
| | ↑ -9126 | ↑ -12BGS2 | ↑ -0127 | ↑ -12BGS | ↑ -0121 | ↑ -12BS | ↑ -3126 | ↑ -12B | ↑ -6123 | ↑ -12APBS | 12 |
| | ↑ -9106 | ↑ -10BGS2 | ↑ -0107 | ↑ -10BGS | ↑ -0101 | ↑ -10BS | ↑ -3106 | ↑ -10B | ↑ -6103 | ↑ -10APBS | 10 |
| | ↑ -9086 | ↑ -08BGS2 | ↑ -0087 | ↑ -08BGS | ↑ -0081 | ↑ -08BS | ↑ -3086 | ↑ -08B | ↑ -6083 | ↑ -08APBS | 8 |
| | ↑ -9066 | ↑ -06BGS2 | ↑ -0067 | ↑ -06BGS | ↑ -0061 | ↑ -06BS | ↑ -3066 | ↑ -06B | ↑ -6063 | ↑ -06APBS | 6 |
| | ↑ -9046 | ↑ -04BGS2 | ↑ -0047 | ↑ -04BGS | ↑ -0041 | ↑ -04BS | ↑ -3046 | ↑ -04B | ↑ -6043 | ↑ -04APBS | 4 |
| | ↓ | ↓ | ↓ | ↓ | ↓ | ↓ | ↓ | ↓ | ↓ | ↓ | 2 |
| | 39-30-9026 | 5566-02BGS2 | 39-31-0027 | 5566-02BGS | 39-31-0021 | 5566-02BS | 39-29-3026 | 5566-02B | 39-30-6023 | 5566-02APBS | 24 |
| | EDP NO. | ENG. NO. | EDP NO. | ENG. NO. | EDP NO. | ENG. NO. | EDP NO. | ENG. NO. | EDP NO. | ENG. NO. | CKT. SIZE |
| | 5566-NBGS2 | 5566-NBGS | 5566-NBS | 5566-NB | 5566-NAPBS | | | | | | |

| | | | | | | | | | |
|-------------------------|-------|------------------|------------------|--------|-----------------|------------|---------------------------------|---------------------------------|---|
| 5566-N**** | | J | SEE SHEET 1 OF 4 | M,N | K,T | 04/5/25 | 材料 MATERIAL | SEE NOTE 2 | MOLEX-JAPAN CO.,LTD. 日本モレックス株式会社 |
| MODEL NO. | H | SEE SHEET 1 OF 4 | H,H | M,F | 04/4/19 | 仕上げ FINISH | SEE NOTE 2 | REVISE ONLY ON CAD SYSTEM | |
| 角度 ANGLE | ±0.1 | G | SEE SHEET 1 OF 4 | H,H | Y,Y | 01/3/17 | 適用電線範囲 WIRE RANGE | — | TITLE 名称 |
| 30以上 OVER | ±0.3 | F | SEE SHEET 1 OF 4 | H,H | Y,Y | 00/6/8 | 被覆外径 INS. RANGE | — | NEW MINI FIT CONNECTOR HEADER HOUSING ASS'Y -LEAD FREE- |
| 10以下 UNDER | ±0.25 | E | SEE SHEET 1 OF 4 | H,H | Y,Y | 03/8/25 | DRAWN BY 03/4/3 H.HIRAMOTO | CHK'D BY 04/4/20 M.FUKUSHIMA | DWG. NO. SHEET 3 OF 4 REV |
| 10未満 UNDER | ±0.2 | D | SEE SHEET 1 OF 4 | H,H | Y,Y | 03/4/3 | APPRO BY 04/4/20 M.FUKUSHIMA | 尺度 SCALE | SD-5566-N**** J |
| 一般公差 GENERAL TOLERANCES | | | | 記号 LTR | 変更内容 | 日付 | | | |
| | | | | REV | REVISION RECORD | DATE | | | |

THIS DRAWING CONTAINS INFORMATION THAT IS PROPRIETARY TO MOLEX/JAPAN AND SHOULD NOT BE USED WITHOUT WRITTEN PERMISSION
本図面は日本モレックス(株)の所有する権利を含むもので、当社の許可なく複製を禁止する。 EN-01C(032)MXJ-32

DWG. NO. SD-5566-N****

DIMENSIONS IN METRIC DO NOT SCALE DRAWING

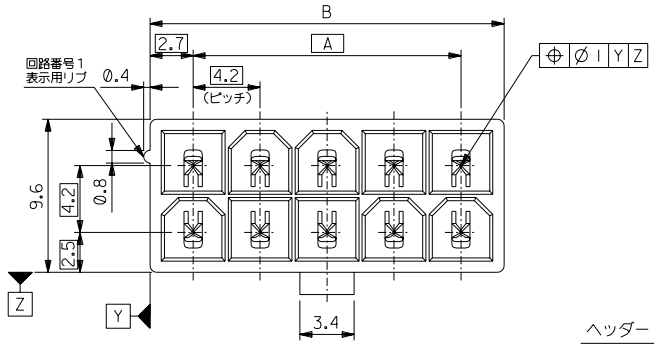
8 7 6 5 4 3 2 1

| NOT TOOLED | | 5566-24BPBS-310 | NOT TOOLED | | 5566-24BPB-310 | 24 | |
|----------------|-----------------|-----------------|----------------|--------------|----------------|-----------|----|
| ▲ | | ▲ -22BPBS-310 | | ▲ | ▲ -22BPB-310 | 22 | |
| | | -20BPBS-310 | | | -20BPB-310 | 20 | |
| | | -18BPBS-310 | | | -18BPB-310 | 18 | |
| | | -16BPBS-310 | | | -16BPB-310 | 16 | |
| | | -14BPBS-310 | | | -14BPB-310 | 14 | |
| | | -12BPBS-310 | | | -12BPB-310 | 12 | |
| | | -10BPBS-310 | | | -10BPB-310 | 10 | |
| | | -08BPBS-310 | | | -08BPB-310 | 8 | |
| | | -06BPBS-310 | | | -06BPB-310 | 6 | |
| | | -04BPBS-310 | | | -04BPB-310 | 4 | |
| ▼ | | ▼ | ▼ | ▼ | ▼ | ▼ | |
| NOT TOOLED | | 5566-02BPBS-310 | NOT TOOLED | | 5566-02BPB-310 | 2 | |
| EDP NO. | ENG. NO. | EDP NO. | ENG. NO. | CKT. SIZE | | | |
| 5566-NBPBS-310 | | 5566-NBPB-310 | | | | | |
| 39-31-0246 | 5566-24BPBS-210 | 39-31-0244 | 5566-24BPB-210 | 24 | | | |
| ▲ | ▲ -0226 | ▲ | ▲ -0224 | ▲ -22BPB-210 | | 22 | |
| | -0206 | | -0204 | -20BPB-210 | | 20 | |
| | -0186 | | -0184 | -18BPB-210 | | 18 | |
| | -0166 | | -0164 | -16BPB-210 | | 16 | |
| | -0146 | | -0144 | -14BPB-210 | | 14 | |
| | -0126 | | -0124 | -12BPB-210 | | 12 | |
| | -0106 | | -0104 | -10BPB-210 | | 10 | |
| | -0086 | | -0084 | -08BPB-210 | | 8 | |
| | -0066 | | -0064 | -06BPB-210 | | 6 | |
| | -0046 | | -0044 | -04BPB-210 | | 4 | |
| ▼ | ▼ | ▼ | ▼ | ▼ | | ▼ | |
| 39-31-0026 | 5566-02BPBS-210 | 39-31-0024 | 5566-02BPB-210 | 2 | | | |
| EDP NO. | ENG. NO. | EDP NO. | ENG. NO. | CKT. SIZE | | | |
| 5566-NBPBS-210 | | 5566-NBPB-210 | | | | | |
| 39-35-0248 | 5566-24A-400 | 39-31-0245 | 5566-24BPBS | 39-31-0243 | 5566-24BPB | 24 | |
| ▲ | ▲ -0228 | ▲ | ▲ -0225 | ▲ | ▲ -0223 | ▲ -22BPB | 22 |
| | -0208 | | -0205 | | -0203 | -20BPB | 20 |
| | -0188 | | -0185 | | -0183 | -18BPB | 18 |
| | -0168 | | -0165 | | -0163 | -16BPB | 16 |
| | -0148 | | -0145 | | -0143 | -14BPB | 14 |
| | -0128 | | -0125 | | -0123 | -12BPB | 12 |
| | -0108 | | -0105 | | -0103 | -10BPB | 10 |
| | -0088 | | -0085 | | -0083 | -08BPB | 8 |
| | -0068 | | -0065 | | -0063 | -06BPB | 6 |
| | -0048 | | -0045 | | -0043 | -04BPB | 4 |
| ▼ | ▼ | ▼ | ▼ | ▼ | ▼ | ▼ | |
| 39-35-0028 | 5566-02A-400 | 39-31-0025 | 5566-02BPBS | 39-31-0023 | 5566-02BPB | 2 | |
| EDP NO. | ENG. NO. | EDP NO. | ENG. NO. | EDP NO. | ENG. NO. | CKT. SIZE | |
| 5566-NA-400 | | 5566-NBPBS | | 5566-NBPB | | | |

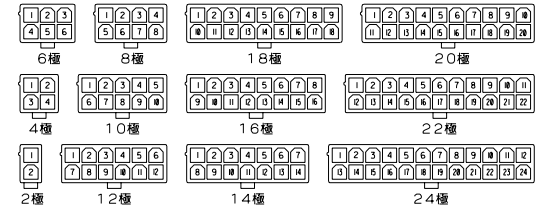
| | | | | | |
|-------------------------|-----------------------------|-------------|---------|-------------------------------------|--|
| 24 | | 材料 MATERIAL | | MOLEX-JAPAN CO.,LTD. 日本モレックス株式会社 | |
| 5566-N**** | J SEE SHEET 1 OF 4 | M,N K,T | 04/5/25 | SEE NOTE 2 | REVISE ONLY ON CAD SYSTEM |
| MODEL NO. | H SEE SHEET 1 OF 4 | H,H M,F | 94/4/8 | 仕上げ FINISH | TITLE 名称 |
| 角度 ANGLE | 1/4 G SEE SHEET 1 OF 4 | H,H Y,Y | 91/3/1 | 適用電線範囲 WIRE RANGE | NEW MINI FIT CONNECTOR HEADER HOUSING ASS'Y |
| 30以上 OVER | +0.3 F SEE SHEET 1 OF 4 | H,H Y,Y | 90/6/8 | 被覆外径 INS. RANGE | -LEAD FREE- |
| 10以下 UNDER | +0.25 E SEE SHEET 1 OF 4 | H,H Y,Y | 89/8/25 | DRAWN BY 89/4/3 | DWG. NO. SHEET 4 OF 4 REV J |
| 10未満 UNDER | +0.2 D SEE SHEET 1 OF 4 | H,H Y,Y | 89/4/3 | CHK'D BY 94/4/28 | SD-5566-N**** |
| 一般公差 GENERAL TOLERANCES | 記号 LTR 変更内容 REVISION RECORD | DR. CHK. | DATE | APPR BY 94/4/28 | 尺 寸 尺 寸 |
| | | | | M, FUKUSHIMA | SCALE |

THIS DRAWING CONTAINS INFORMATION THAT IS PROPRIETARY TO MOLEX/JAPAN AND SHOULD NOT BE USED WITHOUT WRITTEN PERMISSION
 本図面は日本モレックス(株)の所有する権利を含むもので、当社の許可なく複製を禁止する。 EN-01C(032)MXJ-32

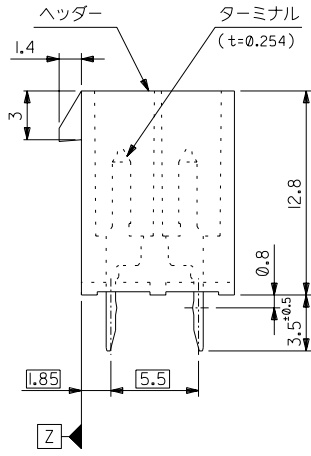
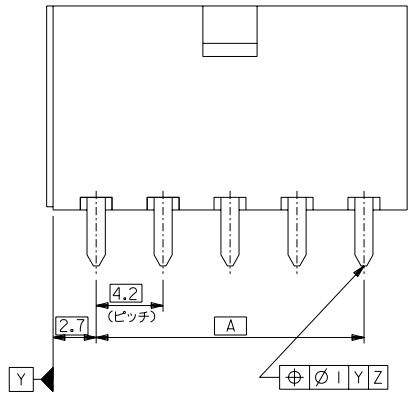
8 7 6 5 4 3 2 1



| | | |
|------|------|----|
| 51.6 | 46.2 | 24 |
| 47.4 | 42 | 22 |
| 43.2 | 37.8 | 20 |
| 39 | 33.6 | 18 |
| 34.8 | 29.4 | 16 |
| 30.6 | 25.2 | 14 |
| 26.4 | 21 | 12 |
| 22.2 | 16.8 | 10 |
| 18 | 12.6 | 8 |
| 13.8 | 8.4 | 6 |
| 9.6 | 4.2 | 4 |
| 5.4 | — | 2 |
| 寸法 B | 寸法 A | 極数 |

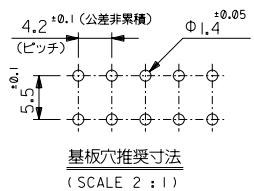


極数別レイアウト図
(SCALE 1:1)



注記

1. 嵌合相手：5557シリーズ
 2. 使用符号の説明
- ベースナンバー 5566 - N A * * - *
- 極数 _____
- アッセンブリ _____
- ターミナル材料
- *BLANK*: 黄銅
 - PB: リン青銅
- ターミナルのメッキ
- *BLANK*: 錫メッキ 0.9μm MIN.
 - GS: ニッケル 1.27μm MIN. 全面下地
 - コンタクト部 金 0.76μm MIN.
 - 半田付け部 錫 2.54μm MIN.
- ヘッダー材料
- *BLANK*: ナイロン 66, UL 94V-2
 - 210: ナイロン 66, UL 94V-0
 - 400: ナイロン 66, UL 94V-0, 黒



| | | | | | |
|-------------------------|-----------------|---------------------------|-----------------|--|----------------------------|
| | | 5566-NA*** | | MODEL NO. | |
| | | MATERIAL | | MOLEX-JAPAN CO.,LTD. 日本モレックス株式会社 | |
| | | 注記 2 参照 | | EDP NO. SHEET 2 OF 2 参照 | |
| | | 仕上げ FINISH | | ENG. NO. SHEET 1 OF 2 REV F | |
| 角度 ANGLE | ±3° | F 変更 (J2004-4431) | M,N K,T | 適用電線範囲 WIRE RANGE | — |
| 30以上 OVER | ±0.4 ±0.05 | E 変更 (J00638) | H,H | 被覆外径 INS. RANGE | — |
| 10以上 未満 UNDER | ±0.7 ±0.05 | D 変更&再作図 (J00510) | H,Y | 尺度 | — |
| 10未満 UNDER | ±0.2 | 記号 LTR | REVISION RECORD | DR. 日付 | DRAWN BY 8/5/17 H.HIRAMOTO |
| 一般公差 GENERAL TOLERANCES | REVISION RECORD | DR. 日付 | CHK. DATE | APPRO. BY 9/10/23 M.FUKUSHIMA | 尺度 SCALE 4 - 1 |
| | | REVISE ONLY ON CAD SYSTEM | | TITLE 名称 NEW MINI FIT CONNECTOR HEADER ASS'Y -LEAD FREE- | |

THIS DRAWING CONTAINS INFORMATION THAT IS PROPRIETARY TO MOLEX/JAPAN AND SHOULD NOT BE USED WITHOUT WRITTEN PERMISSION
本図面は日本モレックス(株)の所有する情報を含むもので、当社の許可なく複製を禁止する。 MXJ-8

ENG. NO
SD-5566-NA***

EDP NO. 表 参照

MM DIMENSIONS IN METRIC DO NOT SCALE DRAWING

8 7 6 5 4 3 2 1

| | | |
|-------------|--------------|----|
| 39-35-0248 | 5566-24A-400 | 24 |
| ▲ -0228 | ▲ -22A-400 | 22 |
| -0208 | -20A-400 | 20 |
| -0188 | -18A-400 | 18 |
| -0168 | -16A-400 | 16 |
| -0148 | -14A-400 | 14 |
| -0128 | -12A-400 | 12 |
| -0108 | -10A-400 | 10 |
| -0088 | -08A-400 | 8 |
| -0068 | -06A-400 | 6 |
| ▼ -0048 | ▼ -04A-400 | 4 |
| 39-35-0028 | 5566-02A-400 | 2 |
| EDP NO. | ENG. NO | 極数 |
| 5566-NA-400 | | |

| | | | | | | |
|---------------|----------------|---------------|----------------|-------------|--------------|----|
| 39-29-5247 | 5566-24APB-210 | 39-29-6248 | 5566-24AGS-210 | 39-28-8240 | 5566-24A-210 | 24 |
| ▲ -5227 | ▲ -22APB-210 | ▲ -6228 | ▲ -22AGS-210 | ▲ -8220 | ▲ -22A-210 | 22 |
| -5207 | -20APB-210 | -6208 | -20AGS-210 | -8200 | -20A-210 | 20 |
| -5187 | -18APB-210 | -6188 | -18AGS-210 | -8180 | -18A-210 | 18 |
| -5167 | -16APB-210 | -6168 | -16AGS-210 | -8160 | -16A-210 | 16 |
| -5147 | -14APB-210 | -6148 | -14AGS-210 | -8140 | -14A-210 | 14 |
| -5127 | -12APB-210 | -6128 | -12AGS-210 | -8120 | -12A-210 | 12 |
| -5107 | -10APB-210 | -6108 | -10AGS-210 | -8100 | -10A-210 | 10 |
| -5087 | -08APB-210 | -6088 | -08AGS-210 | -8080 | -08A-210 | 8 |
| -5067 | -06APB-210 | -6068 | -06AGS-210 | -8060 | -06A-210 | 6 |
| ▼ -5047 | ▼ -04APB-210 | ▼ -6048 | ▼ -04AGS-210 | ▼ -8040 | ▼ -04A-210 | 4 |
| 39-29-5027 | 5566-02APB-210 | 39-29-6028 | 5566-02AGS-210 | 39-28-8020 | 5566-02A-210 | 2 |
| EDP NO. | ENG. NO | EDP NO. | ENG. NO | EDP NO. | ENG. NO | 極数 |
| 5566-NAPB-210 | | 5566-NAGS-210 | | 5566-NA-210 | | |

| | | | | | | |
|------------|------------|------------|------------|------------|----------|----|
| 39-29-5246 | 5566-24APB | 39-29-0243 | 5566-24AGS | 39-28-1243 | 5566-24A | 24 |
| ▲ -5226 | ▲ -22APB | ▲ -0223 | ▲ -22AGS | ▲ -1223 | ▲ -22A | 22 |
| -5206 | -20APB | -0203 | -20AGS | -1203 | -20A | 20 |
| -5186 | -18APB | -0183 | -18AGS | -1183 | -18A | 18 |
| -5166 | -16APB | -0163 | -16AGS | -1163 | -16A | 16 |
| -5146 | -14APB | -0143 | -14AGS | -1143 | -14A | 14 |
| -5126 | -12APB | -0123 | -12AGS | -1123 | -12A | 12 |
| -5106 | -10APB | -0103 | -10AGS | -1103 | -10A | 10 |
| -5086 | -08APB | -0083 | -08AGS | -1083 | -08A | 8 |
| -5066 | -06APB | -0063 | -06AGS | -1063 | -06A | 6 |
| ▼ -5046 | ▼ -04APB | ▼ -0043 | ▼ -04AGS | ▼ -1043 | ▼ -04A | 4 |
| 39-29-5026 | 5566-02APB | 39-29-0023 | 5566-02AGS | 39-28-1023 | 5566-02A | 2 |
| EDP NO. | ENG. NO | EDP NO. | ENG. NO | EDP NO. | ENG. NO | 極数 |
| 5566-NAPB | | 5566-NAGS | | 5566-NA | | |

| | | | |
|-------------------------|----------------------------|------------------------------|--|
| 5566-NA*** | 材料 MATERIAL | 注記 2 参照 | MOLEX-JAPAN CO.,LTD. 日本モレックス株式会社 |
| MODEL NO. | 仕上げ FINISH | 注記 2 参照 | EDP. NO. 表 参照 |
| 角度 ANGLE | 適用電線範囲 WIRE RANGE | — | ENG. NO. SHEET 2 OF 2 REV F |
| 30以上 OVER | 被覆外径 INS. RANGE | — | SD-5566-NA*** |
| 10以上 30未満 UNDER | DRAWN BY 9/5/17 H.HIRAMOTO | CHK'D BY 9/10/29 M.FUKUSHIMA | TITLE 名称 NEW MINI FIT CONNECTOR HEADER ASS'Y -LEAD FREE- |
| 10未満 UNDER | REVISION RECORD | DATE | 尺度 SCALE — |
| 一般公差 GENERAL TOLERANCES | REVISION RECORD | DATE | 尺度 SCALE — |

THIS DRAWING CONTAINS INFORMATION THAT IS PROPRIETARY TO MOLEX/JAPAN AND SHOULD NOT BE USED WITHOUT WRITTEN PERMISSION 本図面は日本モレックス(株)の所有する情報を含むもので 当社の許可なく複製を禁止する。 MXJ-8