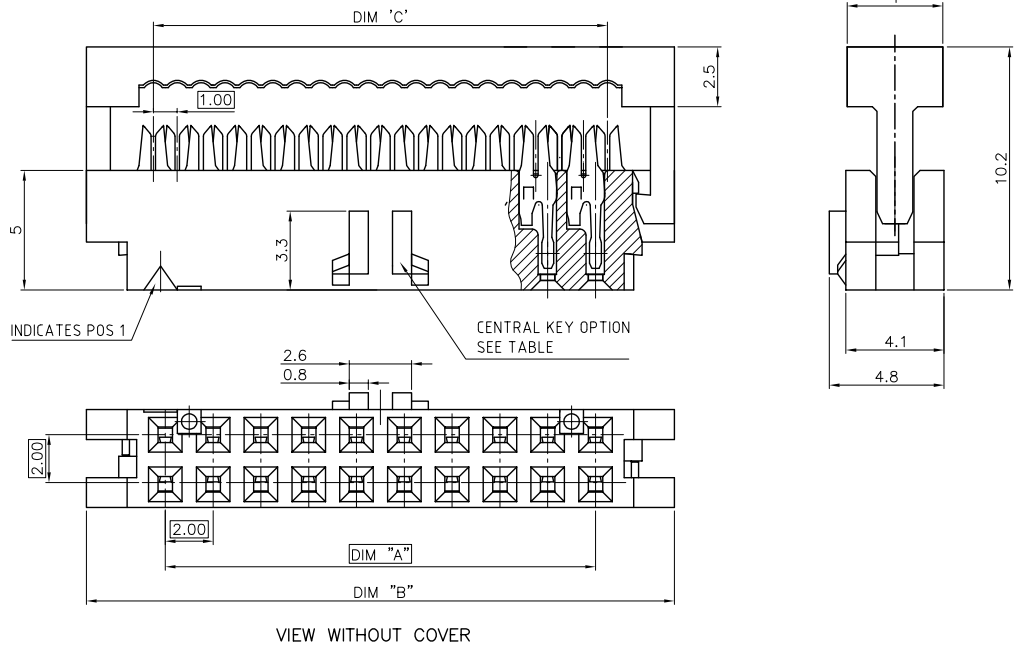


PRODUCT NUMBER
89947-YXXSLF

- LEAD FREE, RoHS COMPLIANT, NOTE 4
- STRAIN RELIEF OPTION, NOTE 5
- TOTAL NB OF POSITIONS, SHEET 2.
- FEATURES, SHEET 2.



VIEW WITHOUT COVER

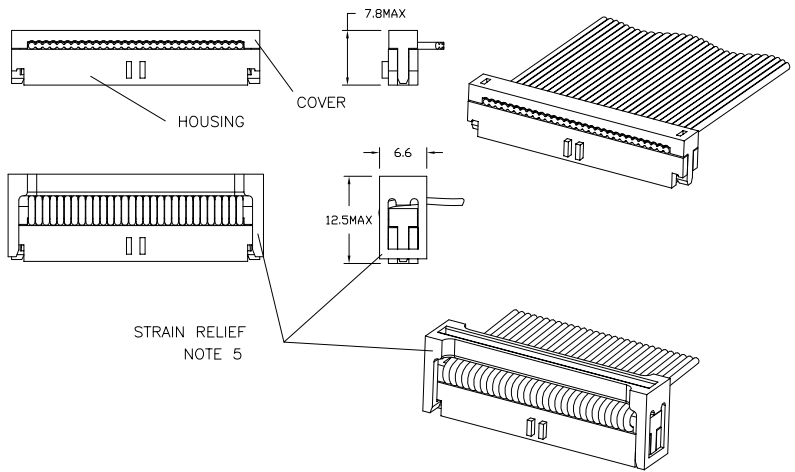
| | | | | | |
|-------------|----------|----------|------------------|---------------------------------------|--------------------------|
| mat'l. code | | surface | tolerance | projection | product family |
| SEE NOTE | | ISO 1302 | ISO 406 ISO 1101 | | MINITEK |
| Ltr | ecm no | dr | date | tolerances unless otherwise specified | title |
| L | F06-0211 | LMU | 06.07.03 | angles | 2.00mm IDC |
| M | F07-0215 | LMU | 07.06.12 | linear | 0.76µm Au |
| N | F08-0214 | J.CO | 08.09.09 | 0°±' | mm |
| P | F09-0081 | JCO | 09.08.27 | 0.000±.05 | scale 1:1 |
| | | dr | L.MULIN | 07.03.20 | |
| | | engr | J.COMPAGNON | 07.03.20 | |
| | | chr | | | |
| | | app | J.M.C | 07.03.20 | dwg no |
| | | | | | 89947 |
| sheet | revision | P | P | | type |
| index | sheet | 1 | 2 | | Product Customer Drawing |

PDM: Rev:P

STATUS:Released

Printed: Sep 01, 2009

| PRODUCT NUMBER | TOTAL NB OF POS | DIM "A" | DIM "B" | DIM "C" | STRAIN RELIEF OPTION |
|----------------|-----------------|---------|---------|---------|----------------------|
| 89947-X06LF | 2x3 | 4 | 10.6 | 5 | YES |
| 89947-X08LF | 2x4 | 6 | 12.6 | 7 | YES |
| 89947-X10LF | 2x5 | 8 | 14.6 | 9 | YES |
| 89947-X12LF | 2x6 | 10 | 16.6 | 11 | YES |
| 89947-X14LF | 2x7 | 12 | 18.6 | 13 | YES |
| 89947-X16LF | 2x8 | 14 | 20.6 | 15 | YES |
| 89947-X18LF | 2x9 | 16 | 22.6 | 17 | YES |
| 89947-X20LF | 2x10 | 18 | 24.6 | 19 | YES |
| 89947-X22LF | 2x11 | 20 | 26.6 | 21 | NOT TOOLED |
| 89947-X24LF | 2x12 | 22 | 28.6 | 23 | YES |
| 89947-X26LF | 2x13 | 24 | 30.6 | 25 | YES |
| 89947-X28LF | 2x14 | 26 | 32.6 | 27 | NOT TOOLED |
| 89947-X30LF | 2x15 | 28 | 34.6 | 29 | YES |
| 89947-X34LF | 2x17 | 32 | 38.6 | 33 | YES |
| 89947-X36LF | 2x18 | 34 | 40.6 | 35 | NOT TOOLED |
| 89947-X40LF | 2x20 | 38 | 44.6 | 39 | YES |
| 89947-X44LF | 2x22 | 42 | 48.6 | 43 | YES |
| 89947-X48LF | 2x24 | 46 | 52.6 | 47 | YES |
| 89947-X50LF | 2x25 | 48 | 54.6 | 49 | YES |



NOTES :

- MATERIAL : TERMINAL PHOSPHORE BRONZE
BASE AND COVER : PBT GLASSFILLED UL 94V-0 BLACK
- PLATING : GOLD 0.76µm Au MIN ON CONTACT AREA
NICKEL 1.27µm MIN UNDERPLATING ALL OVER
- RECOMMENDED CABLE SIZE : AWG28, STRANDED
- THIS PRODUCT MEETS EUROPEAN UNION DIRECTIVES AND OTHER COUNTRY REGULATIONS AS PER GS-22-008.
PACKAGING SPECIFICATION AS PER GS-14-920.
- S= STRAIN RELIEF ACCESSORY, SEE TABLE FOR AVAILABILITY,
OMIT LETTER FROM PARTNUMBER IF NOT APPLICABLE.

| PRODUCT CODE | WITHOUT CENTRAL KEY | WITH CENTRAL KEY | WITH CENTRAL KEY AND FRICTION LATCH BUMP | AVAILABILITY |
|--------------|---------------------|------------------|--|--------------------------|
| 89947-7XX | | | ○ | FROM 2X3 POS UP TO 2X17 |
| 89947-3XX | | ○ | | FROM 2x17 POS UP TO 2x25 |
| 89947-1XX | ○ | | | FROM 2x3 POS UP TO 2x25 |

| | | | | |
|-------------|----------------|------------------|------------|-------------------------------|
| mat'l. code | surface | tolerance | projection | product family |
| SEE NOTE | ISO 1302 ✓ | ISO 406 ISO 1101 | | MINITEK |
| Ltr | ecn no | dr | date | title |
| L | F06-0211 | LMU | 06.07.03 | 2.00mm IDC |
| M | F07-0215 | LMU | 07.06.12 | 0.76µm Au |
| N | F08-0214 | JCO | 08.09.09 | |
| P | F09-0081 | JCO | 09.08.27 | |
| engr | J.COMPAGNON | | 07.03.20 | FCJ |
| chr | | | | |
| appd | J.M.C | | 07.03.20 | |
| sheet index | revision sheet | | | type Product Customer Drawing |