

Switch Language

English

Need Assistance?

- Contact Us
- Find a Distributor
- Order Samples
- Tech Library

[Printer-friendly page](#)

[Email this page](#)

[Home](#) [PCB Headers](#) [Datasheet](#)

Part Number: 0039288040

Status: Active **Overview:** [Mini-Fit Jr.™](#)

Description: 4.20mm (.165") Pitch Mini-Fit Jr.™ Header, Dual Row, Vertical, without Snap-in Plastic Peg PCB Lock, 4 Circuits, PA Polyamide Nylon 6/6 94V-0, Tin (Sn) Plating, without Drain Holes

Documents:

Note - Please disable browser pop-up blockers for documents on www.molex.com

- [Drawing \(PDF\)](#) [Product Specification PS-5557-003 \(PDF\)](#)
- [Product Specification PS-5557-015 \(PDF\)](#) [3D Model](#)
- [Related Catalog Page \(PDF\)](#)

Order Products:

- [Check Distributor Inventory](#) [Add to My Parts](#)
- [Request Samples](#)

Part Detail: [\(show all\)](#)

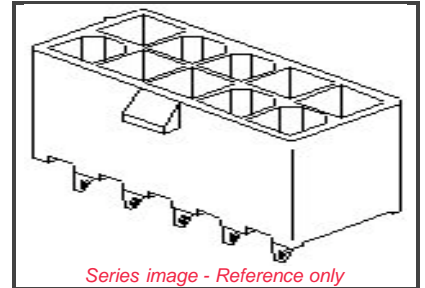
[General](#) [Physical](#) [Electrical](#) [Material Info](#)

General

Product Family	PCB Headers
Series	5566
Application	Wire-to-Board
Comments	Glow Wire Equivalent Part Number 50361884
Overview	Square Pin, Solder Type
Product Name	Mini-Fit Jr.™

Physical

Breakaway	No
Circuits (Loaded)	4
Circuits (maximum)	4
Color - Resin	Natural
Durability (mating cycles) min	30 cycles
First Mate / Last Break	No
Flammability	94V-0
Guide to Mating Part	No
Keying to mating part	None
Lock to Mating Part	Yes
Material - Metal	Brass
Material - Plating Mating	Tin
Material - Plating Termination	Tin
Material - Resin	Nylon
Number of Rows	2
Orientation	Vertical
PC Tail Length (in)	0.138 In
PC Tail Length (mm)	3.50 mm
PCB Locator	Yes
PCB Retention	None
PCB Thickness Recommended (in)	0.070 In
PCB Thickness Recommended (mm)	1.80 mm
Packaging Type	Tray



EU RoHS **China RoHS**
ELV and RoHS Compliant



Need more information on product compliance?

Email productcompliance@molex.com

Please visit the [Contact Us](#) section for any non-product compliance questions.

Search Parts in this Series

[5566](#) Series

Mates With

[5557](#) Mini-Fit Jr.™ Receptacle Housing

Pitch - Mating Interface (in)	0.165 In
Pitch - Mating Interface (mm)	4.20 mm
Pitch - Term. Interface (in)	0.165 In
Pitch - Term. Interface (mm)	4.20 mm
Plating min: Mating (uin)	35
Plating min: Mating (um)	0.90
Plating min: Termination (uin)	100
Plating min: Termination (um)	2.50
Polarized to Mating Part	Yes
Polarized to PCB	Yes
Robotic Placement	None
Shrouded	Fully
Stackable	No
Surface Mount Compatible (SMC)	No
Temperature Range - Operating	-40°C to +105°C
Termination Interface: Style	Through Hole

Electrical

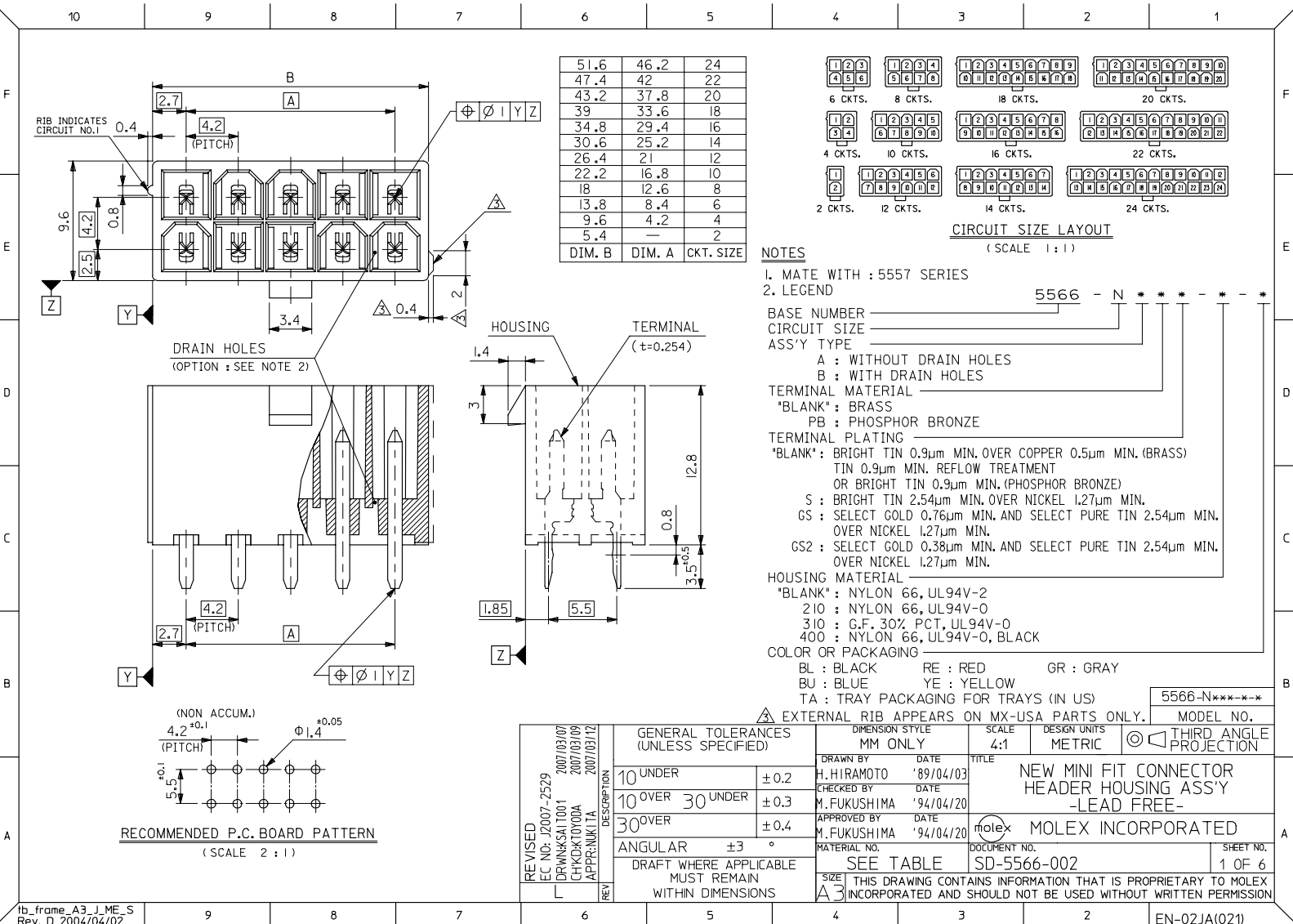
CSA	LR19980
Current - Maximum	8.000 Amp
TUV	R75142
UL	E29179
Voltage - Maximum	600V

Material Info

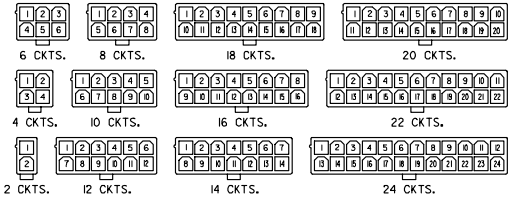
Old Part Number	5566-04A-210
-----------------	--------------

Reference - Drawing Numbers

Product Specification	PS-5557-003
Product Specification	PS-5557-015
Sales Drawing	SD-5566-002
Sales Drawing	SD-5566-003
Sales Drawing	SD-5566-N***-*
Sales Drawing	SD-5566-NA**-*



DIM. B	DIM. A	CKT. SIZE
51.6	46.2	24
47.4	42	22
43.2	37.8	20
39	33.6	18
34.8	29.4	16
30.6	25.2	14
26.4	21	12
22.2	16.8	10
18	12.6	8
13.8	8.4	6
9.6	4.2	4
5.4	—	2



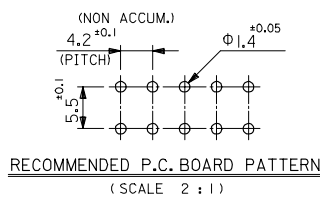
CIRCUIT SIZE LAYOUT
(SCALE 1:1)

NOTES

- MATE WITH : 5557 SERIES
- LEGEND

BASE NUMBER _____ 5566 - N * * * * *
 CIRCUIT SIZE _____
 ASS'Y TYPE _____
 A : WITHOUT DRAIN HOLES
 B : WITH DRAIN HOLES
 TERMINAL MATERIAL _____
 BLANK : BRASS
 PB : PHOSPHOR BRONZE
 TERMINAL PLATING _____
 BLANK : BRIGHT TIN 0.9μm MIN. OVER COPPER 0.5μm MIN. (BRASS)
 TIN 0.9μm MIN. REFLOW TREATMENT
 OR BRIGHT TIN 0.9μm MIN. (PHOSPHOR BRONZE)
 S : BRIGHT TIN 2.54μm MIN. OVER NICKEL 1.27μm MIN.
 GS : SELECT GOLD 0.76μm MIN. AND SELECT PURE TIN 2.54μm MIN.
 OVER NICKEL 1.27μm MIN.
 GS2 : SELECT GOLD 0.38μm MIN. AND SELECT PURE TIN 2.54μm MIN.
 OVER NICKEL 1.27μm MIN.
 HOUSING MATERIAL _____
 BLANK : NYLON 66, UL94V-2
 210 : NYLON 66, UL94V-0
 310 : G.F. 30% PCT, UL94V-0
 400 : NYLON 66, UL94V-0, BLACK
 COLOR OR PACKAGING _____
 BL : BLACK RE : RED GR : GRAY
 BU : BLUE YE : YELLOW
 TA : TRAY PACKAGING FOR TRAYS (IN US)

EXTERNAL RIB APPEARS ON MX-USA PARTS ONLY. MODEL NO. 5566-N****



REVISED EC NO. J2007-2529 DRW:KSAI1001 2007/03/07 CHK:KTOYODA 2007/03/09 APPR:NIKIITA 2007/03/12	GENERAL TOLERANCES (UNLESS SPECIFIED)		DIMENSION STYLE	SCALE	DESIGN UNITS	THIRD ANGLE PROJECTION
			MM ONLY	4:1	METRIC	
	10 UNDER	±0.2	DRAWN BY	DATE	TITLE	
	10 OVER 30 UNDER	±0.3	H.HIRAMOTO	'89/04/03	NEW MINI FIT CONNECTOR HEADER HOUSING ASS'Y -LEAD FREE-	
30 OVER	±0.4	CHECKED BY	DATE	MOLEX INCORPORATED		
ANGULAR	±3 °	M.FUKUSHIMA	'94/04/20	MATERIAL NO.		DOCUMENT NO.
DRAFT WHERE APPLICABLE MUST REMAIN WITHIN DIMENSIONS		SEE TABLE		SD-5566-002		SHEET NO. 1 OF 6

	10	9	8	7	6	5	4	3	2	1			
F	NOT TOOLED	5566-24APB-3 IO	NOT TOOLED	5566-24AGS2-3 IO	NOT TOOLED	5566-24AGS-3 IO	NOT TOOLED	5566-24AS-3 IO	NOT TOOLED	5566-24A-3 IO	24		
	↑	-22APB-3 IO	↑	-22AGS2-3 IO	↑	-22AGS-3 IO	↑	-22AS-3 IO	↑	-22A-3 IO	22		
		-20APB-3 IO		-20AGS2-3 IO		-20AGS-3 IO		-20AS-3 IO		-20A-3 IO	20		
		-18APB-3 IO		-18AGS2-3 IO		-18AGS-3 IO		-18AS-3 IO		-18A-3 IO	18		
		-16APB-3 IO		-16AGS2-3 IO		-16AGS-3 IO		-16AS-3 IO		-16A-3 IO	16		
		-14APB-3 IO		-14AGS2-3 IO		-14AGS-3 IO		-14AS-3 IO		-14A-3 IO	14		
		-12APB-3 IO		-12AGS2-3 IO		-12AGS-3 IO		-12AS-3 IO		-12A-3 IO	12		
		-10APB-3 IO		-10AGS2-3 IO		-10AGS-3 IO		-10AS-3 IO		-10A-3 IO	10		
		-08APB-3 IO		-08AGS2-3 IO		-08AGS-3 IO		-08AS-3 IO		-08A-3 IO	8		
		-06APB-3 IO		-06AGS2-3 IO		-06AGS-3 IO		-06AS-3 IO		-06A-3 IO	6		
	↓	-04APB-3 IO	↓	-04AGS2-3 IO	↓	-04AGS-3 IO	↓	-04AS-3 IO	↓	-04A-3 IO	4		
E	NOT TOOLED	5566-02APB-3 IO	NOT TOOLED	5566-02AGS2-3 IO	NOT TOOLED	5566-02AGS-3 IO	NOT TOOLED	5566-02AS-3 IO	NOT TOOLED	5566-02A-3 IO	2		
	EDP NO.	ENG. NO.	EDP NO.	ENG. NO.	EDP NO.	ENG. NO.	EDP NO.	ENG. NO.	EDP NO.	ENG. NO.	CKT. SIZE		
	5566-NAPB-3 IO		5566-NAGS2-3 IO		5566-NAGS-3 IO		5566-NAS-3 IO		5566-NA-3 IO				
	39-29-5247	5566-24APB-2 IO	39-30-9245	5566-24AGS2-2 IO	39-29-6248	5566-24AGS-2 IO	39-30-6242	5566-24AS-2 IO	39-28-8240	5566-24A-2 IO	24		
	↑	-5227	↑	-22APB-2 IO	↑	-6228	↑	-22AGS-2 IO	↑	-8220	↑	-22A-2 IO	22
		-5207		-20APB-2 IO		-6208		-20AGS-2 IO		-8200		-20A-2 IO	20
		-5187		-18APB-2 IO		-6188		-18AGS-2 IO		-8180		-18A-2 IO	18
		-5167		-16APB-2 IO		-6168		-16AGS-2 IO		-8160		-16A-2 IO	16
		-5147		-14APB-2 IO		-6148		-14AGS-2 IO		-8140		-14A-2 IO	14
		-5127		-12APB-2 IO		-6128		-12AGS-2 IO		-8120		-12A-2 IO	12
		-5107		-10APB-2 IO		-6108		-10AGS-2 IO		-8100		-10A-2 IO	10
		-5087		-08APB-2 IO		-6088		-08AGS-2 IO		-8080		-08A-2 IO	8
		-5067		-06APB-2 IO		-6068		-06AGS-2 IO		-8060		-06A-2 IO	6
	↓	-5047	↓	-04APB-2 IO	↓	-6048	↓	-04AGS-2 IO	↓	-8040	↓	-04A-2 IO	4
	39-29-5027	5566-02APB-2 IO	39-30-9025	5566-02AGS2-2 IO	39-29-6028	5566-02AGS-2 IO	39-30-6022	5566-02AS-2 IO	39-28-8020	5566-02A-2 IO	2		
	EDP NO.	ENG. NO.	EDP NO.	ENG. NO.	EDP NO.	ENG. NO.	EDP NO.	ENG. NO.	EDP NO.	ENG. NO.	CKT. SIZE		
	5566-NAPB-2 IO		5566-NAGS2-2 IO		5566-NAGS-2 IO		5566-NAS-2 IO		5566-NA-2 IO				
	39-29-5246	5566-24APB	39-30-9244	5566-24AGS2	39-29-0243	5566-24AGS	39-30-6241	5566-24AS	39-28-1243	5566-24A	24		
	↑	-5226	↑	-22APB	↑	-0223	↑	-22AGS	↑	-1223	↑	-22A	22
		-5206		-20APB		-0203		-20AGS		-1203		-20A	20
		-5186		-18APB		-0183		-18AGS		-1183		-18A	18
		-5166		-16APB		-0163		-16AGS		-1163		-16A	16
		-5146		-14APB		-0143		-14AGS		-1143		-14A	14
		-5126		-12APB		-0123		-12AGS		-1123		-12A	12
		-5106		-10APB		-0103		-10AGS		-1103		-10A	10
		-5086		-08APB		-0083		-08AGS		-1083		-08A	8
		-5066		-06APB		-0063		-06AGS		-1063		-06A	6
	↓	-5046	↓	-04APB	↓	-0043	↓	-04AGS	↓	-1043	↓	-04A	4
	39-29-5026	5566-02APB	39-30-9024	5566-02AGS2	39-29-0023	5566-02AGS	39-30-6021	5566-02AS	39-28-1023	5566-02A	2		
	EDP NO.	ENG. NO.	EDP NO.	ENG. NO.	EDP NO.	ENG. NO.	EDP NO.	ENG. NO.	EDP NO.	ENG. NO.	CKT. SIZE		
	5566-NAPB		5566-NAGS2		5566-NAGS		5566-NAS		5566-NA				

REVISED EC NO. J2007-2529 DRW:KSAI1001 CHK:KTOYODA APPR:NIKIITA 2007/03/07 2007/03/09 2007/03/12	GENERAL TOLERANCES (UNLESS SPECIFIED)		DIMENSION STYLE MM ONLY		SCALE ---	DESIGN UNITS METRIC	THIRD ANGLE PROJECTION
	10 UNDER	± ---	DRAWN BY H.HIRAMOTO	DATE '89/04/03	TITLE NEW MINI FIT CONNECTOR HEADER HOUSING ASS'Y -LEAD FREE- MOLEX INCORPORATED		
	10 OVER 30 UNDER	± ---	CHECKED BY M.FUKUSHIMA	DATE '94/04/20			
	30 OVER	± ---	APPROVED BY M.FUKUSHIMA	DATE '94/04/20			
ANGULAR	± --- °	MATERIAL NO.		DOCUMENT NO. SD-5566-002	SHEET NO. 2 OF 6		
DRAFT WHERE APPLICABLE MUST REMAIN WITHIN DIMENSIONS			SIZE A3	THIS DRAWING CONTAINS INFORMATION THAT IS PROPRIETARY TO MOLEX INCORPORATED AND SHOULD NOT BE USED WITHOUT WRITTEN PERMISSION			

	10	9	8	7	6	5	4	3	2	1			
F	NOT TOOLED	5566-24BGS2-3 IO	NOT TOOLED	5566-24BGS-3 IO	NOT TOOLED	5566-24BS-3 IO	NOT TOOLED	5566-24B-3 IO	NOT TOOLED	5566-24APBS-3 IO	24		
	↑	-22BGS2-3 IO	↑	-22BGS-3 IO	↑	-22BS-3 IO	↑	-22B-3 IO	↑	-22APBS-3 IO	22		
		-20BGS2-3 IO		-20BGS-3 IO		-20BS-3 IO		-20B-3 IO		-20APBS-3 IO	20		
		-18BGS2-3 IO		-18BGS-3 IO		-18BS-3 IO		-18B-3 IO		-18APBS-3 IO	18		
		-16BGS2-3 IO		-16BGS-3 IO		-16BS-3 IO		-16B-3 IO		-16APBS-3 IO	16		
		-14BGS2-3 IO		-14BGS-3 IO		-14BS-3 IO		-14B-3 IO		-14APBS-3 IO	14		
		-12BGS2-3 IO		-12BGS-3 IO		-12BS-3 IO		-12B-3 IO		-12APBS-3 IO	12		
		-10BGS2-3 IO		-10BGS-3 IO		-10BS-3 IO		-10B-3 IO		-10APBS-3 IO	10		
		-08BGS2-3 IO		-08BGS-3 IO		-08BS-3 IO		-08B-3 IO		-08APBS-3 IO	8		
		-06BGS2-3 IO		-06BGS-3 IO		-06BS-3 IO		-06B-3 IO		-06APBS-3 IO	6		
	↓	-04BGS2-3 IO	↓	-04BGS-3 IO	↓	-04BS-3 IO	↓	-04B-3 IO	↓	-04APBS-3 IO	4		
E	NOT TOOLED	5566-02BGS2-3 IO	NOT TOOLED	5566-02BGS-3 IO	NOT TOOLED	5566-02BS-3 IO	NOT TOOLED	5566-02B-3 IO	NOT TOOLED	5566-02APBS-3 IO	2		
	EDP NO.	ENG. NO.	EDP NO.	ENG. NO.	EDP NO.	ENG. NO.	EDP NO.	ENG. NO.	EDP NO.	ENG. NO.	CKT. SIZE		
	5566-NBGS2-3 IO		5566-NBGS-3 IO		5566-NBS-3 IO		5566-NB-3 IO		5566-NAPBS-3 IO				
	39-30-9247	5566-24BGS2-2 IO	39-31-0248	5566-24BGS-2 IO	39-31-0242	5566-24BS-2 IO	39-31-0240	5566-24B-2 IO	39-30-6244	5566-24APBS-2 IO	24		
	↑	-9227	↑	-9228	↑	-9222	↑	-9220	↑	-6224	↑	-22APBS-2 IO	22
		-9207		-9208		-9202		-9200		-6204		-20APBS-2 IO	20
		-9187		-9188		-9182		-9180		-6184		-18APBS-2 IO	18
		-9167		-9168		-9162		-9160		-6164		-16APBS-2 IO	16
		-9147		-9148		-9142		-9140		-6144		-14APBS-2 IO	14
		-9127		-9128		-9122		-9120		-6124		-12APBS-2 IO	12
		-9107		-9108		-9102		-9100		-6104		-10APBS-2 IO	10
		-9087		-9088		-9082		-9080		-6084		-08APBS-2 IO	8
		-9067		-9068		-9062		-9060		-6064		-06APBS-2 IO	6
	↓	-9047	↓	-9048	↓	-9042	↓	-9040	↓	-6044	↓	-04APBS-2 IO	4
	39-30-9027	5566-02BGS2-2 IO	39-31-0028	5566-02BGS-2 IO	39-31-0022	5566-02BS-2 IO	39-31-0020	5566-02B-2 IO	39-30-6024	5566-02APBS-2 IO	2		
	EDP NO.	ENG. NO.	EDP NO.	ENG. NO.	EDP NO.	ENG. NO.	EDP NO.	ENG. NO.	EDP NO.	ENG. NO.	CKT. SIZE		
	5566-NBGS2-2 IO		5566-NBGS-2 IO		5566-NBS-2 IO		5566-NB-2 IO		5566-NAPBS-2 IO				
	39-30-9246	5566-24BGS2	39-31-0247	5566-24BGS	39-31-0241	5566-24BS	39-29-3246	5566-24B	39-30-6243	5566-24APBS	24		
	↑	-9226	↑	-9227	↑	-9221	↑	-9220	↑	-6223	↑	-22APBS	22
		-9206		-9207		-9201		-9200		-6203		-20APBS	20
		-9186		-9187		-9181		-9180		-6183		-18APBS	18
		-9166		-9167		-9161		-9160		-6163		-16APBS	16
		-9146		-9147		-9141		-9140		-6143		-14APBS	14
		-9126		-9127		-9121		-9120		-6123		-12APBS	12
		-9106		-9107		-9101		-9100		-6103		-10APBS	10
		-9086		-9087		-9081		-9080		-6083		-08APBS	8
		-9066		-9067		-9061		-9060		-6063		-06APBS	6
	↓	-9046	↓	-9047	↓	-9041	↓	-9040	↓	-6043	↓	-04APBS	4
	39-30-9026	5566-02BGS2	39-31-0027	5566-02BGS	39-31-0021	5566-02BS	39-29-3026	5566-02B	39-30-6023	5566-02APBS	2		
	EDP NO.	ENG. NO.	EDP NO.	ENG. NO.	EDP NO.	ENG. NO.	EDP NO.	ENG. NO.	EDP NO.	ENG. NO.	CKT. SIZE		
	5566-NBGS2		5566-NBGS		5566-NBS		5566-NB		5566-NAPBS				

REVISED EC NO. J2007-2529 DRW:KSAI1001 CHK:KTOYODA APPR:NIKIITA 2007/03/07 2007/03/09 2007/03/12	GENERAL TOLERANCES (UNLESS SPECIFIED)		DIMENSION STYLE MM ONLY		SCALE ---	DESIGN UNITS METRIC	THIRD ANGLE PROJECTION
	10 UNDER	± ---	DRAWN BY H. HIRAMOTO	DATE '89/04/03	TITLE NEW MINI FIT CONNECTOR HEADER HOUSING ASS'Y -LEAD FREE- MOLEX INCORPORATED		
	10 OVER 30 UNDER	± ---	CHECKED BY M. FUKUSHIMA	DATE '94/04/20			
	30 OVER	± ---	APPROVED BY M. FUKUSHIMA	DATE '94/04/20			
ANGULAR	± --- °	MATERIAL NO. SEE TABLE		DOCUMENT NO. SD-5566-002	SHEET NO. 3 OF 6		
DRAFT WHERE APPLICABLE MUST REMAIN WITHIN DIMENSIONS			SIZE A3		THIS DRAWING CONTAINS INFORMATION THAT IS PROPRIETARY TO MOLEX INCORPORATED AND SHOULD NOT BE USED WITHOUT WRITTEN PERMISSION		

	10	9	8	7	6	5	4	3	2	1				
F							NOT TOOLED	5566-24BPBS-310	NOT TOOLED	5566-24BPB-310	24			
							↑	↑	↑	↑	22			
											20			
											18			
											16			
											14			
											12			
											10			
											8			
											6			
											4			
E							NOT TOOLED	5566-02BPBS-310	NOT TOOLED	5566-02BPB-310	2			
							EDP NO.	ENG. NO	EDP NO.	ENG. NO	CKT. SIZE			
							5566-NBPBS-310		5566-NBPB-310					
							39-31-0246	5566-24BPBS-210	39-31-0244	5566-24BPB-210	24			
							↑	↑	↑	↑	22			
											20			
											18			
											16			
											14			
											12			
											10			
											8			
											6			
											4			
D							39-31-0026	5566-02BPBS-210	39-31-0024	5566-02BPB-210	2			
							EDP NO.	ENG. NO	EDP NO.	ENG. NO	CKT. SIZE			
							5566-NBPBS-210		5566-NBPB-210					
C							39-35-0248	5566-24A-400	39-31-0245	5566-24BPBS	39-31-0243	5566-24BPB	24	
							↑	↑	↑	↑	↑	22		
												20		
												18		
												16		
												14		
												12		
												10		
												8		
												6		
												4		
B							39-35-0028	5566-02A-400	39-31-0025	5566-02BPBS	39-31-0023	5566-02BPB	2	
							EDP NO.	ENG. NO	EDP NO.	ENG. NO	CKT. SIZE			
							5566-NA-400		5566-NBPBS		5566-NBPB			
A							GENERAL TOLERANCES (UNLESS SPECIFIED)		DIMENSION STYLE MM ONLY		SCALE ---	DESIGN UNITS METRIC	THIRD ANGLE PROJECTION	
							10 UNDER	± ---	DRAWN BY H.HIRAMOTO	DATE '89/04/03	TITLE NEW MINI FIT CONNECTOR HEADER HOUSING ASS'Y -LEAD FREE- MOLEX INCORPORATED			
						10 OVER 30 UNDER	± ---	CHECKED BY M.FUKUSHIMA	DATE '94/04/20					
						30 OVER	± ---	APPROVED BY M.FUKUSHIMA	DATE '94/04/20					
						ANGULAR	± --- °	MATERIAL NO.	SEE TABLE					
							DRAFT WHERE APPLICABLE MUST REMAIN WITHIN DIMENSIONS		SIZE A3	DOCUMENT NO. SD-5566-002		SHEET NO. 4 OF 6		
							THIS DRAWING CONTAINS INFORMATION THAT IS PROPRIETARY TO MOLEX INCORPORATED AND SHOULD NOT BE USED WITHOUT WRITTEN PERMISSION						EN-02JA(021)	

10 | 9 | 8 | 7 | 6 | 5 | 4 | 3 | 2 | 1

F

E

D

C

B

A

F

E

D

C

B

A

									24	
									22	
									20	
									18	
						39-33-3169	5566-16A-210-BU	39-33-3168	5566-16A-210-BL	16
										14
										12
										10
				39-33-4100	5566-10A-210-RE	39-33-3109	5566-10A-210-BU	39-33-3108	5566-10A-210-BL	8
								39-33-3088	5566-08A-210-BL	6
										4
				39-33-4040	5566-04A-210-RE	39-33-3049	5566-04A-210-BU			2
39-34-5023	5566-02A-210-YE	39-33-4020	5566-02A-210-RE	39-33-3029	5566-02A-210-BU	39-33-3028	5566-02A-210-BL			2
EDP. NO.	ENG. NO.	EDP. NO.	ENG. NO.	EDP. NO.	ENG. NO.	EDP. NO.	ENG. NO.	EDP. NO.	ENG. NO.	CKT. SIZE
5566-NA-210-YE		5566-NA-210-RE		5566-NA-210-BU		5566-NA-210-BL				24
										22
										20
										18
39-33-3145	5566-14A-GR			39-33-3166	5566-16A-RE	39-33-3164	5566-16A-BU	39-33-3143	5566-14A-BL	14
				39-33-3126	5566-12A-RE	39-33-3124	5566-12A-BU			12
				39-33-3106	5566-10A-RE	39-33-3104	5566-10A-BU			10
		39-33-3087	5566-08A-YE	39-33-3086	5566-08A-RE	39-33-3084	5566-08A-BU	39-33-3083	5566-08A-BL	8
		39-33-3067	5566-06A-YE	39-33-3066	5566-06A-RE	39-33-3064	5566-06A-BU	39-33-3063	5566-06A-BL	6
				39-33-3046	5566-04A-RE	39-33-3044	5566-04A-BU	39-33-3043	5566-04A-BL	4
		39-33-3027	5566-02A-YE	39-33-3026	5566-02A-RE	39-33-3024	5566-02A-BU	39-33-3023	5566-02A-BL	2
EDP. NO.	ENG. NO.	EDP. NO.	ENG. NO.	EDP. NO.	ENG. NO.	EDP. NO.	ENG. NO.	EDP. NO.	ENG. NO.	CKT. SIZE
5566-NA-GR		5566-NA-YE		5566-NA-RE		5566-NA-BU		5566-NA-BL		24
										22
										20
										18
										16
										14
										12
										10
										8
										6
										4
										2

REVISED EC NO. J2007-2529 DRW/NSAI/1001 CHK/KKT/0YODA APPR/NIKITA 2007/03/07 2007/03/09 2007/03/12 REV DESCRIPTION	GENERAL TOLERANCES (UNLESS SPECIFIED)		DIMENSION STYLE MM ONLY		SCALE ---	DESIGN UNITS METRIC	THIRD ANGLE PROJECTION
	10 UNDER	± ---	DRAWN BY H.HIRAMOTO	DATE '89/04/03	TITLE NEW MINI FIT CONNECTOR HEADER HOUSING ASS'Y -LEAD FREE- MOLEX INCORPORATED DOCUMENT NO. SD-5566-002 SHEET NO. 5 OF 6		
	10 OVER 30 UNDER	± ---	CHECKED BY M.FUKUSHIMA	DATE '94/04/20			
30 OVER	± ---	APPROVED BY M.FUKUSHIMA	DATE '94/04/20				
ANGULAR	± --- °	MATERIAL NO. SEE TABLE					
DRAFT WHERE APPLICABLE MUST REMAIN WITHIN DIMENSIONS		SIZE A3	THIS DRAWING CONTAINS INFORMATION THAT IS PROPRIETARY TO MOLEX INCORPORATED AND SHOULD NOT BE USED WITHOUT WRITTEN PERMISSION				

9 | 8 | 7 | 6 | 5 | 4 | 3 | 2 | 1 | EN-02JA(021)

10 9 8 7 6 5 4 3 2 1

F

F

E

E

D

D

C

C

B

B

A

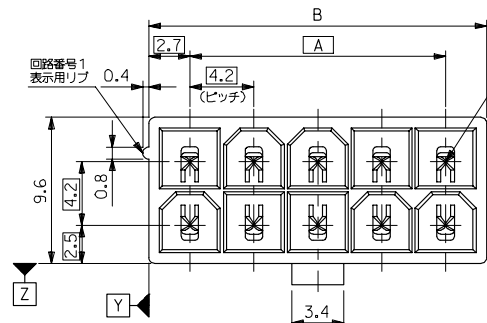
A

39-54-0245	5566-24BGS-210-TA	39-54-0244	5566-24B-210-TA	39-54-0243	5566-24BGS-TA	39-54-0242	5566-24B-TA	24
▲ -0225	▲ -22BGS-210-TA	▲ -0224	▲ -22B-210-TA	▲ -0223	▲ -22BGS-TA	▲ -0222	▲ -22B-TA	22
-0205	-20BGS-210-TA	-0204	-20B-210-TA	-0203	-20BGS-TA	-0202	-20B-TA	20
-0185	-18BGS-210-TA	-0184	-18B-210-TA	-0183	-18BGS-TA	-0182	-18B-TA	18
-0165	-16BGS-210-TA	-0164	-16B-210-TA	-0163	-16BGS-TA	-0162	-16B-TA	16
-0145	-14BGS-210-TA	-0144	-14B-210-TA	-0143	-14BGS-TA	-0142	-14B-TA	14
-0125	-12BGS-210-TA	-0124	-12B-210-TA	-0123	-12BGS-TA	-0122	-12B-TA	12
-0105	-10BGS-210-TA	-0104	-10B-210-TA	-0103	-10BGS-TA	-0102	-10B-TA	10
-0085	-08BGS-210-TA	-0084	-08B-210-TA	-0083	-08BGS-TA	-0082	-08B-TA	8
-0065	-06BGS-210-TA	-0064	-06B-210-TA	-0063	-06BGS-TA	-0062	-06B-TA	6
▼ -0045	▼ -04BGS-210-TA	▼ -0044	▼ -04B-210-TA	▼ -0043	▼ -04BGS-TA	▼ -0042	▼ -04B-TA	4
39-54-0025	5566-02BGS-210-TA	39-54-0024	5566-02B-210-TA	39-54-0023	5566-02BGS-TA	39-54-0022	5566-02B-TA	2
EDP NO.	ENG. NO.	EDP NO.	ENG. NO.	EDP NO.	ENG. NO.	EDP NO.	ENG. NO.	CKT. SIZE
5566-NBGS-210-TA		5566-NB-210-TA		5566-NBGS-TA		5566-NB-TA		

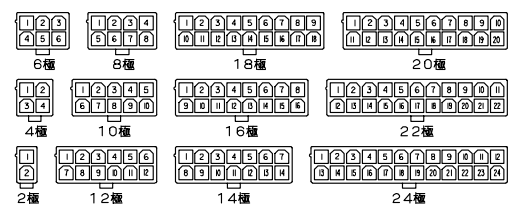
39-54-0241	5566-24AGS-210-TA	39-54-0240	5566-24AGS-TA	39-53-9249	5566-24A-210-TA	39-53-9248	5566-24A-TA	24
▲ -0221	▲ -22AGS-210-TA	▲ -0220	▲ -22AGS-TA	▲ -9229	▲ -22A-210-TA	▲ -9228	▲ -22A-TA	22
-0201	-20AGS-210-TA	-0200	-20AGS-TA	-9209	-20A-210-TA	-9208	-20A-TA	20
-0181	-18AGS-210-TA	-0180	-18AGS-TA	-9189	-18A-210-TA	-9188	-18A-TA	18
-0161	-16AGS-210-TA	-0160	-16AGS-TA	-9169	-16A-210-TA	-9168	-16A-TA	16
-0141	-14AGS-210-TA	-0140	-14AGS-TA	-9149	-14A-210-TA	-9148	-14A-TA	14
-0121	-12AGS-210-TA	-0120	-12AGS-TA	-9129	-12A-210-TA	-9128	-12A-TA	12
-0101	-10AGS-210-TA	-0100	-10AGS-TA	-9109	-10A-210-TA	-9108	-10A-TA	10
-0081	-08AGS-210-TA	-0080	-08AGS-TA	-9089	-08A-210-TA	-9088	-08A-TA	8
-0061	-06AGS-210-TA	-0060	-06AGS-TA	-9069	-06A-210-TA	-9068	-06A-TA	6
▼ -0041	▼ -04AGS-210-TA	▼ -0040	▼ -04AGS-TA	▼ -9049	▼ -04A-210-TA	▼ -9048	▼ -04A-TA	4
39-54-0021	5566-02AGS-210-TA	39-54-0020	5566-02AGS-TA	39-53-9029	5566-02A-210-TA	39-53-9028	5566-02A-TA	2
EDP NO.	ENG. NO.	EDP NO.	ENG. NO.	EDP NO.	ENG. NO.	EDP NO.	ENG. NO.	CKT. SIZE
5566-NAAGS-210-TA		5566-NAAGS-TA		5566-NA-210-TA		5566-NA-TA		

REVISED EC NO. J2007-2529 DRW:KSAI1001 CHK:KTOYODA APPR:NIKIITA 2007/03/07 2007/03/09 2007/03/12	GENERAL TOLERANCES (UNLESS SPECIFIED)		DIMENSION STYLE MM ONLY		SCALE ---	DESIGN UNITS METRIC	THIRD ANGLE PROJECTION
	10 UNDER	± ---	DRAWN BY H.HIRAMOTO		DATE '89/04/03	NEW MINI FIT CONNECTOR HEADER HOUSING ASS'Y -LEAD FREE- MOLEX INCORPORATED	
	10 OVER 30 UNDER	± ---	CHECKED BY M.FUKUSHIMA		DATE '94/04/20		
	30 OVER	± ---	APPROVED BY M.FUKUSHIMA		DATE '94/04/20		
ANGULAR ± --- °		MATERIAL NO.		DOCUMENT NO.		SHEET NO.	
DRAFT WHERE APPLICABLE MUST REMAIN WITHIN DIMENSIONS		SEE TABLE		SD-5566-002		6 OF 6	
5566-N**** MODEL NO.		L		A3		THIS DRAWING CONTAINS INFORMATION THAT IS PROPRIETARY TO MOLEX INCORPORATED AND SHOULD NOT BE USED WITHOUT WRITTEN PERMISSION	

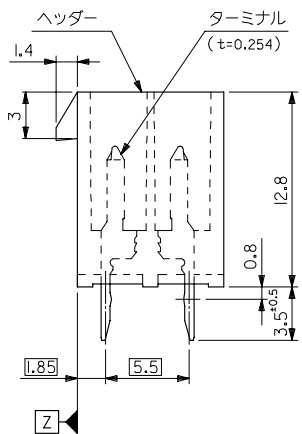
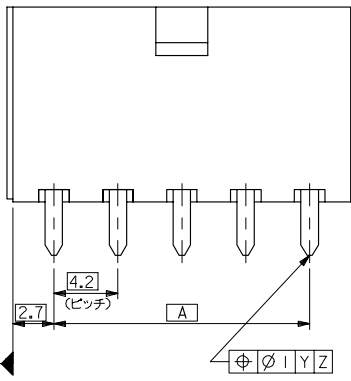
10 9 8 7 6 5 4 3 2 1



51.6	46.2	24
47.4	42	22
43.2	37.8	20
39	33.6	18
34.8	29.4	16
30.6	25.2	14
26.4	21	12
22.2	16.8	10
18	12.6	8
13.8	8.4	6
9.6	4.2	4
5.4	—	2
寸法 B	寸法 A	極数

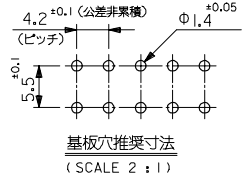


極数別レイアウト図 (SCALE 1:1)



注記

1. 嵌合相手: 5557シリーズ
 2. 使用符号の説明
- ベースナンバー _____ 5566 - N A * * * * *
- 極数 _____
- アッセンブリー _____
- ターミナル材料
- "BLANK": 黄銅
- PB: リン青銅
- ターミナルのメッキ
- "BLANK": 鍍メッキ 0.9μm MIN.
- GS: ニッケル 1.27μm MIN. 全面下地
- コンタクト部 金 0.76μm MIN.
- 半田付け部 錫 2.54μm MIN.
- ヘッダー材料
- "BLANK": ナイロン 66, UL 94V-2
- 210: ナイロン 66, UL 94V-0
- 400: ナイロン 66, UL 94V-0, 黒
- 色
- BL: 黒色
- BU: 青色
- RE: 赤色
- YE: 黄色
- GR: 灰色



REVISED EC NO. J2006-2418 DRW: HIRAMOTO CHK: KATOYODA APPR: NUKITA 2006/01/30 2006/02/03 2006/02/06	GENERAL TOLERANCES (UNLESS SPECIFIED)		DIMENSION STYLE		SCALE	DESIGN UNITS	THIRD ANGLE PROJECTION
	10 UNDER ±0.2		MM ONLY		4:1	METRIC	MODEL NO.
	10 OVER 30 UNDER ±0.3		DRAWN BY DATE		NEW MINI FIT CONNECTOR		
	30 OVER ±0.4		H. HIRAMOTO '89/05/07		HEADER ASS'Y		
ANGULAR ±3 °		CHECKED BY DATE		-LEAD FREE-			MOLEX INCORPORATED DOCUMENT NO. SD-5566-003 SHEET NO. 1 OF 3
DRAFT WHERE APPLICABLE MUST REMAIN WITHIN DIMENSIONS		M. FUKUSHIMA '91/10/29		SEE CHART			
MATERIAL NO.		APPROVED BY DATE		INCORPORATED AND SHOULD NOT BE USED WITHOUT WRITTEN PERMISSION			EN-02JA(021)
SIZE		M. ENOMOTO '91/10/29		THIS DRAWING CONTAINS INFORMATION THAT IS PROPRIETARY TO MOLEX			

	10	9	8	7	6	5	4	3	2	1	
F									39-35-0248	5566-24A-400	24
									▲ -0228	▲ -22A-400	22
									-0208	-20A-400	20
									-0188	-18A-400	18
									-0168	-16A-400	16
									-0148	-14A-400	14
									-0128	-12A-400	12
									-0108	-10A-400	10
									-0088	-08A-400	8
									-0068	-06A-400	6
									▼ -0048	▼ -04A-400	4
E									39-35-0028	5566-02A-400	2
									EDP NO.	ENG. NO	極数
									5566-NA-400		極数
D									39-29-5247	5566-24APB-210	24
									▲ -5227	▲ -22APB-210	22
									-5207	-20APB-210	20
									-5187	-18APB-210	18
									-5167	-16APB-210	16
									-5147	-14APB-210	14
									-5127	-12APB-210	12
									-5107	-10APB-210	10
									-5087	-08APB-210	8
									-5067	-06APB-210	6
									▼ -5047	▼ -04APB-210	4
									39-29-5027	5566-02APB-210	2
									EDP NO.	ENG. NO	極数
									5566-NAPB-210		極数
C									39-29-5246	5566-24APB	24
									▲ -5226	▲ -22APB	22
									-5206	-20APB	20
									-5186	-18APB	18
									-5166	-16APB	16
									-5146	-14APB	14
									-5126	-12APB	12
									-5106	-10APB	10
									-5086	-08APB	8
									-5066	-06APB	6
									▼ -5046	▼ -04APB	4
									39-29-5026	5566-02APB	2
									EDP NO.	ENG. NO	極数
									5566-NAGS-210		極数
B									39-29-0243	5566-24AGS	24
									▲ -0223	▲ -22AGS	22
									-0203	-20AGS	20
									-0183	-18AGS	18
									-0163	-16AGS	16
									-0143	-14AGS	14
									-0123	-12AGS	12
									-0103	-10AGS	10
									-0083	-08AGS	8
									-0063	-06AGS	6
									▼ -0043	▼ -04AGS	4
									39-28-1023	5566-02A	2
									EDP NO.	ENG. NO	極数
									5566-NA		極数

REVISED EC NO: J2006-2418 DRW: HIRAMOTO CHK: KIKUCHI APPR: NUKITA 2006/01/30 2006/02/03 2006/02/06	GENERAL TOLERANCES (UNLESS SPECIFIED)		DIMENSION STYLE MM ONLY		SCALE ---	DESIGN UNITS METRIC	THIRD ANGLE PROJECTION
	10 UNDER	± ---	DRAWN BY H. HIRAMOTO	DATE '89/05/07	TITLE NEW MINI FIT CONNECTOR HEADER ASS'Y -LEAD FREE- MOLEX INCORPORATED		
	10 OVER 30 UNDER	± ---	CHECKED BY M. FUKUSHIMA	DATE '91/10/29			
	30 OVER	± ---	APPROVED BY M. ENOMOTO	DATE '91/10/29			
	ANGULAR	± --- °	MATERIAL NO. SEE CHART		DOCUMENT NO. SD-5566-003	SHEET NO. 2 OF 3	
DRAFT WHERE APPLICABLE MUST REMAIN WITHIN DIMENSIONS		SIZE A3	THIS DRAWING CONTAINS INFORMATION THAT IS PROPRIETARY TO MOLEX INCORPORATED AND SHOULD NOT BE USED WITHOUT WRITTEN PERMISSION				

10 9 8 7 6 5 4 3 2 1

F

E

D

C

B

A

F

E

D

C

B

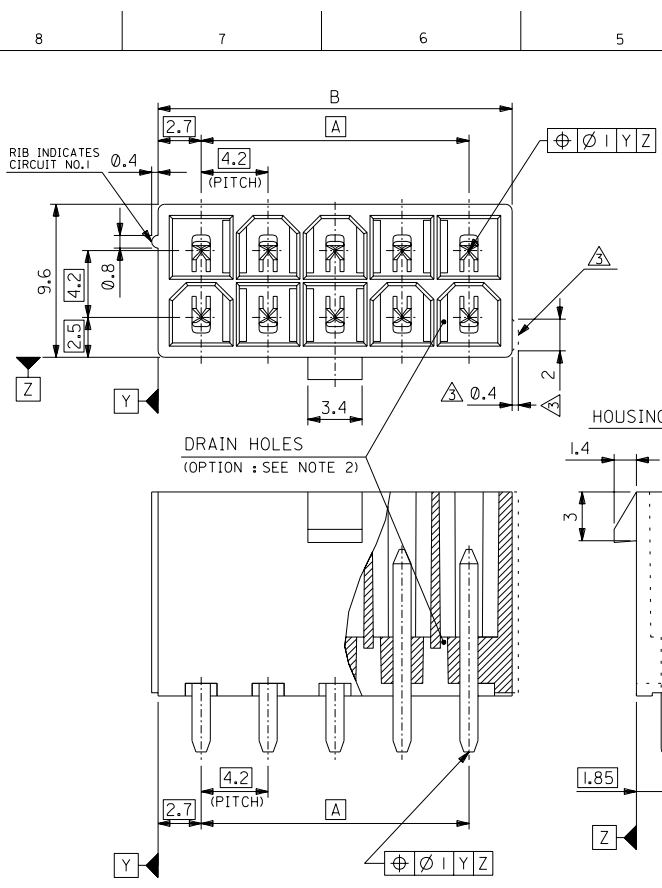
A

									24
									22
									20
									18
					39-33-3169	5566-16A-210-BU	39-33-3168	5566-16A-210-BL	16
									14
									12
			39-33-4100	5566-10A-210-RE	39-33-3109	5566-10A-210-BU	39-33-3108	5566-10A-210-BL	10
							39-33-3088	5566-08A-210-BL	8
									6
			39-33-4040	5566-04A-210-RE	39-33-3049	5566-04A-210-BU			4
39-34-5023	5566-02A-210-YE	39-33-4020	5566-02A-210-RE	39-33-3029	5566-02A-210-BU	39-33-3028	5566-02A-210-BL		2
EDP. NO.	ENG. NO.	EDP. NO.	ENG. NO.	EDP. NO.	ENG. NO.	EDP. NO.	ENG. NO.		極数
5566-NA-210-YE		5566-NA-210-RE		5566-NA-210-BU		5566-NA-210-BL			24
									22
									20
									18
									16
39-33-3145	5566-14A-GR			39-33-3166	5566-16A-RE	39-33-3164	5566-16A-BU		14
							39-33-3143	5566-14A-BL	12
				39-33-3126	5566-12A-RE	39-33-3124	5566-12A-BU		10
				39-33-3106	5566-10A-RE	39-33-3104	5566-10A-BU		8
		39-33-3087	5566-08A-YE	39-33-3086	5566-08A-RE	39-33-3084	5566-08A-BU		6
		39-33-3067	5566-06A-YE	39-33-3066	5566-06A-RE	39-33-3064	5566-06A-BU		4
				39-33-3046	5566-04A-RE	39-33-3044	5566-04A-BU	39-33-3043	5566-04A-BL
				39-33-3026	5566-02A-RE	39-33-3024	5566-02A-BU	39-33-3023	5566-02A-BL
EDP. NO.	ENG. NO.	EDP. NO.	ENG. NO.	EDP. NO.	ENG. NO.	EDP. NO.	ENG. NO.	EDP. NO.	ENG. NO.
5566-NA-GR		5566-NA-YE		5566-NA-RE		5566-NA-BU		5566-NA-BL	

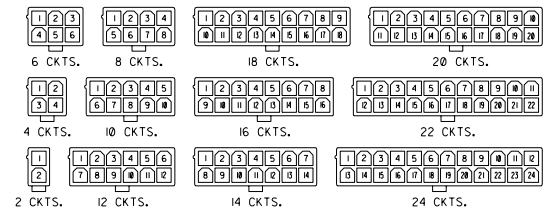
REVISED EC NO. J2006-2418 DRW: HIRAMOTO CHK: KIKUCHI APPR: NIKITA 2006/01/30 2006/02/03 2006/02/06	GENERAL TOLERANCES (UNLESS SPECIFIED)		DIMENSION STYLE MM ONLY		SCALE ---	DESIGN UNITS METRIC	THIRD ANGLE PROJECTION
	10 UNDER	± ---	DRAWN BY H. HIRAMOTO	DATE '89/05/07	TITLE NEW MINI FIT CONNECTOR HEADER ASS'Y -LEAD FREE- MOLEX INCORPORATED		
	10 OVER 30 UNDER	± ---	CHECKED BY M. FUKUSHIMA	DATE '91/10/29			
	30 OVER	± ---	APPROVED BY M. ENOMOTO	DATE '91/10/29			
	ANGULAR	± --- °	MATERIAL NO. SEE CHART		DOCUMENT NO. SD-5566-003	SHEET NO. 3 OF 3	
DRAFT WHERE APPLICABLE MUST REMAIN WITHIN DIMENSIONS		SIZE A3	THIS DRAWING CONTAINS INFORMATION THAT IS PROPRIETARY TO MOLEX INCORPORATED AND SHOULD NOT BE USED WITHOUT WRITTEN PERMISSION				

DWG. NO. SD-5566-N*****

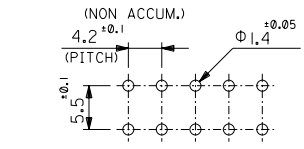
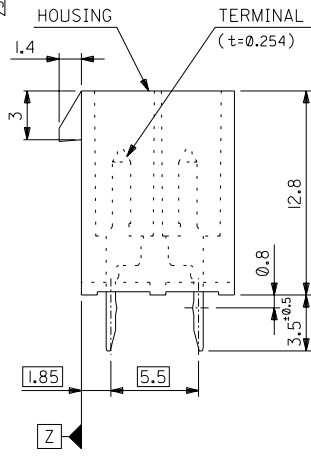
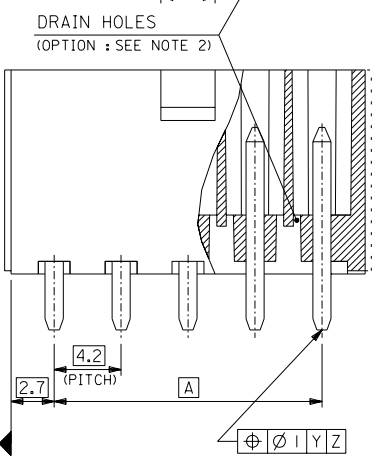
MM DIMENSIONS IN METRIC DO NOT SCALE DRAWING



51.6	46.2	24
47.4	42	22
43.2	37.8	20
39	33.6	18
34.8	29.4	16
30.6	25.2	14
26.4	21	12
22.2	16.8	10
18	12.6	8
13.8	8.4	6
9.6	4.2	4
5.4	—	2
DIM. B	DIM. A	CKT. SIZE



CIRCUIT SIZE LAYOUT (SCALE 1:1)



RECOMMENDED P.C. BOARD PATTERN (SCALE 2:1)

NOTES

- MATE WITH : 5557 SERIES
 - LEGEND
 - BASE NUMBER: 5566 - N * * * * *
 - CIRCUIT SIZE: _____
 - ASS'Y TYPE: _____
 - A : WITHOUT DRAIN HOLES
 - B : WITH DRAIN HOLES
 - TERMINAL MATERIAL: _____
 - "BLANK": BRASS
 - PB : PHOSPHOR BRONZE
 - TERMINAL PLATING: _____
 - "BLANK": BRIGHT TIN 0.9μm MIN. OVER COPPER 0.5μm MIN. (BRASS) TIN 0.9μm MIN. REFLOW TREATMENT OR BRIGHT TIN 0.9μm MIN. (PHOSPHOR BRONZE)
 - S : BRIGHT TIN 2.54μm MIN. OVER NICKEL 1.27μm MIN.
 - GS : SELECT GOLD 0.76μm MIN. AND SELECT PURE TIN 2.54μm MIN. OVER NICKEL 1.27μm MIN.
 - GS2 : SELECT GOLD 0.38μm MIN. AND SELECT PURE TIN 2.54μm MIN. OVER NICKEL 1.27μm MIN.
 - HOUSING MATERIAL: _____
 - "BLANK": NYLON 66, UL94V-2
 - 210 : NYLON 66, UL94V-0
 - 310 : C.F. 30% PCT, UL94V-0
 - 400 : NYLON 66, UL94V-0, BLACK
- △ EXTERNAL RIB APPEARS ON MX-USA PARTS ONLY.

5566-N*****		J	REVISED (J2004-4416)	M.N. K.T.	04/5/25	材料 MATERIAL	SEE NOTE 2	molex MOLEX-JAPAN CO.,LTD. 日本モレックス株式会社
MODEL NO.	H	REVISED (J40308)	H.H. M.F.	94/4/8	仕上げ FINISH	SEE NOTE 2	REVISION ONLY ON CAD SYSTEM	
角度 ANGLE	±3°	G	REVISED (J10190)	H.H. Y.Y.	91/3/7	適用電線範囲 WIRE RANGE	—	TITLE 名称
30°以上 OVER	±0.4	F	REVISED (J00638)	H.H. Y.Y.	90/6/8	被覆外径 INS. RANGE	—	NEW MINI FIT CONNECTOR HEADER HOUSING ASS'Y -LEAD FREE-
10°以上 UNDER	±0.2	E	REVISED (J90681)	H.H. Y.Y.	89/8/25	DRAWN BY 89/4/3 H.HIRAMOTO	CHK'D BY 94/4/28 M.FUKUSHIMA	DWG. NO. SHEET 1 OF 4 REV J
10°以下 UNDER	±0.2	D	REVISED & REDRAWN (J90237)	H.H. Y.Y.	89/4/3	APP'D BY 94/4/28 M.FUKUSHIMA	尺度 SCALE 4:1	SD-5566-N*****
GENERAL TOLERANCES	一般公差	記号	公差内容	記号	内容	DATE	DATE	

THIS DRAWING CONTAINS INFORMATION THAT IS PROPRIETARY TO MOLEX/JAPAN AND SHOULD NOT BE USED WITHOUT WRITTEN PERMISSION. 本図面は日本モレックス(株)の所有する権利を含むもので、当社の許可なく複製を禁止する。 EN-01C(032)MXJ-32

	8	7	6	5	4	3	2	1			
DWC. NO. SD-5566-N****	NOT TOOLED	5566-24APB-310	NOT TOOLED	5566-24AGS2-310	NOT TOOLED	5566-24AGS-310	NOT TOOLED	5566-24AS-310	NOT TOOLED	5566-24A-310	24
	↑	↑	↑	↑	↑	↑	↑	↑	↑	↑	22
		-22APB-310		-22AGS2-310		-22AGS-310		-22AS-310		-22A-310	20
		-20APB-310		-20AGS2-310		-20AGS-310		-20AS-310		-20A-310	18
		-18APB-310		-18AGS2-310		-18AGS-310		-18AS-310		-18A-310	16
		-16APB-310		-16AGS2-310		-16AGS-310		-16AS-310		-16A-310	14
		-14APB-310		-14AGS2-310		-14AGS-310		-14AS-310		-14A-310	12
		-12APB-310		-12AGS2-310		-12AGS-310		-12AS-310		-12A-310	10
		-10APB-310		-10AGS2-310		-10AGS-310		-10AS-310		-10A-310	8
		-08APB-310		-08AGS2-310		-08AGS-310		-08AS-310		-08A-310	6
	-06APB-310		-06AGS2-310		-06AGS-310		-06AS-310		-06A-310	4	
	-04APB-310		-04AGS2-310		-04AGS-310		-04AS-310		-04A-310	2	
	↓	↓	↓	↓	↓	↓	↓	↓	↓		
	EDP NO.	ENG. NO.	EDP NO.	ENG. NO.	EDP NO.	ENG. NO.	EDP NO.	ENG. NO.	EDP NO.	ENG. NO.	CKT. SIZE
	5566-NAPB-310	5566-NAGS2-310	5566-NAGS-310	5566-NAS-310	5566-NA-310						
	39-29-5247	5566-24APB-210	39-30-9245	5566-24AGS2-210	39-29-6248	5566-24AGS-210	39-30-6242	5566-24AS-210	39-28-8240	5566-24A-210	24
	↑	↑	↑	↑	↑	↑	↑	↑	↑	↑	22
	-5227	-22APB-210	-9225	-22AGS2-210	-6228	-22AGS-210	-6222	-22AS-210	-8220	-22A-210	20
	-5207	-20APB-210	-9205	-20AGS2-210	-6208	-20AGS-210	-6202	-20AS-210	-8200	-20A-210	18
	-5187	-18APB-210	-9185	-18AGS2-210	-6188	-18AGS-210	-6182	-18AS-210	-8180	-18A-210	16
	-5167	-16APB-210	-9165	-16AGS2-210	-6168	-16AGS-210	-6162	-16AS-210	-8160	-16A-210	14
	-5147	-14APB-210	-9145	-14AGS2-210	-6148	-14AGS-210	-6142	-14AS-210	-8140	-14A-210	12
	-5127	-12APB-210	-9125	-12AGS2-210	-6128	-12AGS-210	-6122	-12AS-210	-8120	-12A-210	10
	-5107	-10APB-210	-9105	-10AGS2-210	-6108	-10AGS-210	-6102	-10AS-210	-8100	-10A-210	8
	-5087	-08APB-210	-9085	-08AGS2-210	-6088	-08AGS-210	-6082	-08AS-210	-8080	-08A-210	6
	-5067	-06APB-210	-9065	-06AGS2-210	-6068	-06AGS-210	-6062	-06AS-210	-8060	-06A-210	4
	-5047	-04APB-210	-9045	-04AGS2-210	-6048	-04AGS-210	-6042	-04AS-210	-8040	-04A-210	2
	39-29-5027	5566-02APB-210	39-30-9025	5566-02AGS2-210	39-29-6028	5566-02AGS-210	39-30-6022	5566-02AS-210	39-28-8020	5566-02A-210	2
	↓	↓	↓	↓	↓	↓	↓	↓	↓	↓	
	EDP NO.	ENG. NO.	EDP NO.	ENG. NO.	EDP NO.	ENG. NO.	EDP NO.	ENG. NO.	EDP NO.	ENG. NO.	CKT. SIZE
	5566-NAPB-210	5566-NAGS2-210	5566-NAGS-210	5566-NAS-210	5566-NA-210						
	39-29-5246	5566-24APB	39-30-9244	5566-24AGS2	39-29-0243	5566-24AGS	39-30-6241	5566-24AS	39-28-1243	5566-24A	24
	↑	↑	↑	↑	↑	↑	↑	↑	↑	↑	22
	-5226	-22APB	-9224	-22AGS2	-0223	-22AGS	-6221	-22AS	-1223	-22A	20
	-5206	-20APB	-9204	-20AGS2	-0203	-20AGS	-6201	-20AS	-1203	-20A	18
	-5186	-18APB	-9184	-18AGS2	-0183	-18AGS	-6181	-18AS	-1183	-18A	16
	-5166	-16APB	-9164	-16AGS2	-0163	-16AGS	-6161	-16AS	-1163	-16A	14
	-5146	-14APB	-9144	-14AGS2	-0143	-14AGS	-6141	-14AS	-1143	-14A	12
	-5126	-12APB	-9124	-12AGS2	-0123	-12AGS	-6121	-12AS	-1123	-12A	10
	-5106	-10APB	-9104	-10AGS2	-0103	-10AGS	-6101	-10AS	-1103	-10A	8
	-5086	-08APB	-9084	-08AGS2	-0083	-08AGS	-6081	-08AS	-1083	-08A	6
	-5066	-06APB	-9064	-06AGS2	-0063	-06AGS	-6061	-06AS	-1063	-06A	4
	-5046	-04APB	-9044	-04AGS2	-0043	-04AGS	-6041	-04AS	-1043	-04A	2
	39-29-5026	5566-02APB	39-30-9024	5566-02AGS2	39-29-0023	5566-02AGS	39-30-6021	5566-02AS	39-28-1023	5566-02A	2
	↓	↓	↓	↓	↓	↓	↓	↓	↓	↓	
	EDP NO.	ENG. NO.	EDP NO.	ENG. NO.	EDP NO.	ENG. NO.	EDP NO.	ENG. NO.	EDP NO.	ENG. NO.	CKT. SIZE
	5566-NAPB	5566-NAGS2	5566-NAGS	5566-NAS	5566-NA						

5566-N****		J	SEE SHEET 1 OF 4	M,N	K,T	04/5/25	材料 MATERIAL	SEE NOTE 2	MOLEX-JAPAN CO.,LTD. 日本モレックス株式会社
MODEL NO.	H	SEE SHEET 1 OF 4	H,H	M,F	04/4/19	仕上げ FINISH	SEE NOTE 2	REVISE ONLY ON CAD SYSTEM	
角度 ANGLE	±0.1	G	SEE SHEET 1 OF 4	H,H	Y,Y	01/3/17	適用電線範囲 WIRE RANGE	—	TITLE 名称
30以上 OVER	±0.3	F	SEE SHEET 1 OF 4	H,H	Y,Y	00/6/8	被覆外径 INS. RANGE	—	NEW MINI FIT CONNECTOR HEADER HOUSING ASS'Y
10以上 未満 UNDER	±0.25	E	SEE SHEET 1 OF 4	H,H	Y,Y	03/8/25	—	—	-LEAD FREE-
10未満 UNDER	±0.2	D	SEE SHEET 1 OF 4	H,H	Y,Y	03/4/3	DRAWN BY 03/4/3 H.HIRAMOTO	CHK'D BY 04/4/20 M.FUKUSHIMA	DWG. NO.
一般公差 GENERAL TOLERANCES	—		—	DR	CHK	DATE	—	—	SHEET 2 OF 4 REV
記号 LTR	変更内容	—	—	—	—	—	—	—	SD-5566-N****

THIS DRAWING CONTAINS INFORMATION THAT IS PROPRIETARY TO MOLEX/JAPAN AND SHOULD NOT BE USED WITHOUT WRITTEN PERMISSION
 本図面は日本モレックス(株)の所有する権利を含むもので、当社の許可なく複製を禁止する。 EN-01C(032)MXJ-32

	8	7	6	5	4	3	2	1			
DWC. NO. SD-5566-N****	NOT TOOLED	5566-24BGS2-310	NOT TOOLED	5566-24BGS-310	NOT TOOLED	5566-24BS-310	NOT TOOLED	5566-24B-310	NOT TOOLED	5566-24APBS-310	24
	↑	↑	↑	↑	↑	↑	↑	↑	↑	↑	22
		↑ -22BGS2-310		↑ -22BGS-310		↑ -22BS-310		↑ -22B-310		↑ -22APBS-310	20
		↑ -20BGS2-310		↑ -20BGS-310		↑ -20BS-310		↑ -20B-310		↑ -20APBS-310	18
		↑ -18BGS2-310		↑ -18BGS-310		↑ -18BS-310		↑ -18B-310		↑ -18APBS-310	16
		↑ -16BGS2-310		↑ -16BGS-310		↑ -16BS-310		↑ -16B-310		↑ -16APBS-310	14
		↑ -14BGS2-310		↑ -14BGS-310		↑ -14BS-310		↑ -14B-310		↑ -14APBS-310	12
		↑ -12BGS2-310		↑ -12BGS-310		↑ -12BS-310		↑ -12B-310		↑ -12APBS-310	10
		↑ -10BGS2-310		↑ -10BGS-310		↑ -10BS-310		↑ -10B-310		↑ -10APBS-310	8
		↑ -08BGS2-310		↑ -08BGS-310		↑ -08BS-310		↑ -08B-310		↑ -08APBS-310	6
	↑ -06BGS2-310		↑ -06BGS-310		↑ -06BS-310		↑ -06B-310		↑ -06APBS-310	4	
	↑ -04BGS2-310		↑ -04BGS-310		↑ -04BS-310		↑ -04B-310		↑ -04APBS-310	2	
	↓	↓	↓	↓	↓	↓	↓	↓	↓	2	
	NOT TOOLED	5566-02BGS2-310	NOT TOOLED	5566-02BGS-310	NOT TOOLED	5566-02BS-310	NOT TOOLED	5566-02B-310	NOT TOOLED	5566-02APBS-310	24
	EDP NO.	ENG. NO.	EDP NO.	ENG. NO.	EDP NO.	ENG. NO.	EDP NO.	ENG. NO.	EDP NO.	ENG. NO.	CKT. SIZE
	5566-NBGS2-310	5566-NBGS-310	5566-NBS-310	5566-NB-310	5566-NAPBS-310						
	39-30-9247	5566-24BGS2-210	39-31-0248	5566-24BGS-210	39-31-0242	5566-24BS-210	39-31-0240	5566-24B-210	39-30-6244	5566-24APBS-210	24
	↑ -9227	↑ -22BGS2-210	↑ -0228	↑ -22BGS-210	↑ -0222	↑ -22BS-210	↑ -0220	↑ -22B-210	↑ -6224	↑ -22APBS-210	22
	↑ -9207	↑ -20BGS2-210	↑ -0208	↑ -20BGS-210	↑ -0202	↑ -20BS-210	↑ -0200	↑ -20B-210	↑ -6204	↑ -20APBS-210	20
	↑ -9187	↑ -18BGS2-210	↑ -0188	↑ -18BGS-210	↑ -0182	↑ -18BS-210	↑ -0180	↑ -18B-210	↑ -6184	↑ -18APBS-210	18
	↑ -9167	↑ -16BGS2-210	↑ -0168	↑ -16BGS-210	↑ -0162	↑ -16BS-210	↑ -0160	↑ -16B-210	↑ -6164	↑ -16APBS-210	16
	↑ -9147	↑ -14BGS2-210	↑ -0148	↑ -14BGS-210	↑ -0142	↑ -14BS-210	↑ -0140	↑ -14B-210	↑ -6144	↑ -14APBS-210	14
	↑ -9127	↑ -12BGS2-210	↑ -0128	↑ -12BGS-210	↑ -0122	↑ -12BS-210	↑ -0120	↑ -12B-210	↑ -6124	↑ -12APBS-210	12
	↑ -9107	↑ -10BGS2-210	↑ -0108	↑ -10BGS-210	↑ -0102	↑ -10BS-210	↑ -0100	↑ -10B-210	↑ -6104	↑ -10APBS-210	10
	↑ -9087	↑ -08BGS2-210	↑ -0088	↑ -08BGS-210	↑ -0082	↑ -08BS-210	↑ -0080	↑ -08B-210	↑ -6084	↑ -08APBS-210	8
	↑ -9067	↑ -06BGS2-210	↑ -0068	↑ -06BGS-210	↑ -0062	↑ -06BS-210	↑ -0060	↑ -06B-210	↑ -6064	↑ -06APBS-210	6
	↑ -9047	↑ -04BGS2-210	↑ -0048	↑ -04BGS-210	↑ -0042	↑ -04BS-210	↑ -0040	↑ -04B-210	↑ -6044	↑ -04APBS-210	4
	↓	↓	↓	↓	↓	↓	↓	↓	↓	↓	2
	39-30-9027	5566-02BGS2-210	39-31-0028	5566-02BGS-210	39-31-0022	5566-02BS-210	39-31-0020	5566-02B-210	39-30-6024	5566-02APBS-210	24
	EDP NO.	ENG. NO.	EDP NO.	ENG. NO.	EDP NO.	ENG. NO.	EDP NO.	ENG. NO.	EDP NO.	ENG. NO.	CKT. SIZE
	5566-NBGS2-210	5566-NBGS-210	5566-NBS-210	5566-NB-210	5566-NAPBS-210						
	39-30-9246	5566-24BGS2	39-31-0247	5566-24BGS	39-31-0241	5566-24BS	39-29-3246	5566-24B	39-30-6243	5566-24APBS	24
	↑ -9226	↑ -22BGS2	↑ -0227	↑ -22BGS	↑ -0221	↑ -22BS	↑ -3226	↑ -22B	↑ -6223	↑ -22APBS	22
	↑ -9206	↑ -20BGS2	↑ -0207	↑ -20BGS	↑ -0201	↑ -20BS	↑ -3206	↑ -20B	↑ -6203	↑ -20APBS	20
	↑ -9186	↑ -18BGS2	↑ -0187	↑ -18BGS	↑ -0181	↑ -18BS	↑ -3186	↑ -18B	↑ -6183	↑ -18APBS	18
	↑ -9166	↑ -16BGS2	↑ -0167	↑ -16BGS	↑ -0161	↑ -16BS	↑ -3166	↑ -16B	↑ -6163	↑ -16APBS	16
	↑ -9146	↑ -14BGS2	↑ -0147	↑ -14BGS	↑ -0141	↑ -14BS	↑ -3146	↑ -14B	↑ -6143	↑ -14APBS	14
	↑ -9126	↑ -12BGS2	↑ -0127	↑ -12BGS	↑ -0121	↑ -12BS	↑ -3126	↑ -12B	↑ -6123	↑ -12APBS	12
	↑ -9106	↑ -10BGS2	↑ -0107	↑ -10BGS	↑ -0101	↑ -10BS	↑ -3106	↑ -10B	↑ -6103	↑ -10APBS	10
	↑ -9086	↑ -08BGS2	↑ -0087	↑ -08BGS	↑ -0081	↑ -08BS	↑ -3086	↑ -08B	↑ -6083	↑ -08APBS	8
	↑ -9066	↑ -06BGS2	↑ -0067	↑ -06BGS	↑ -0061	↑ -06BS	↑ -3066	↑ -06B	↑ -6063	↑ -06APBS	6
	↑ -9046	↑ -04BGS2	↑ -0047	↑ -04BGS	↑ -0041	↑ -04BS	↑ -3046	↑ -04B	↑ -6043	↑ -04APBS	4
	↓	↓	↓	↓	↓	↓	↓	↓	↓	↓	2
	39-30-9026	5566-02BGS2	39-31-0027	5566-02BGS	39-31-0021	5566-02BS	39-29-3026	5566-02B	39-30-6023	5566-02APBS	24
	EDP NO.	ENG. NO.	EDP NO.	ENG. NO.	EDP NO.	ENG. NO.	EDP NO.	ENG. NO.	EDP NO.	ENG. NO.	CKT. SIZE
	5566-NBGS2	5566-NBGS	5566-NBS	5566-NB	5566-NAPBS						

5566-N****		J	SEE SHEET 1 OF 4	M,N	K,T	04/5/25
MODEL NO.	H	SEE SHEET 1 OF 4	H,H	M,F	04/4/19	
角度 ANGLE	±0.1	G	SEE SHEET 1 OF 4	H,H	Y,Y	01/3/17
30以上 OVER	±0.3	F	SEE SHEET 1 OF 4	H,H	Y,Y	00/6/8
10以上 未過	±0.25	E	SEE SHEET 1 OF 4	H,H	Y,Y	03/8/25
10未過 UNDER	±0.2	D	SEE SHEET 1 OF 4	H,H	Y,Y	03/4/3
一般公差 GENERAL TOLERANCES				DR	CHK	DATE
			記号	変更内容	DATE	
			記号	変更内容	DATE	

材料 MATERIAL	SEE NOTE 2	MOLEX JAPAN CO.,LTD. 日本モレックス株式会社
仕上げ FINISH	SEE NOTE 2	REVISE ONLY ON CAD SYSTEM
適用電線範囲 WIRE RANGE	---	TITLE 名称
被覆外径 INS. RANGE	---	NEW MINI FIT CONNECTOR HEADER HOUSING ASS'Y -LEAD FREE-
DRAWN BY 03/4/3 H.HIRAMOTO	CHK'D BY 04/4/20 M.FUKUSHIMA	DWG. NO. SHEET 3 OF 4 REV J
APP'D BY 04/4/20 M.FUKUSHIMA	尺度 SCALE	SD-5566-N****

THIS DRAWING CONTAINS INFORMATION THAT IS PROPRIETARY TO MOLEX/JAPAN AND SHOULD NOT BE USED WITHOUT WRITTEN PERMISSION
 本図面は日本モレックス(株)の所有する権利を含むもので、当社の許可なく複製を禁止する。 EN-01C(032)MXJ-32

DWG. NO. SD-5566-N****

DIMENSIONS IN METRIC DO NOT SCALE DRAWING

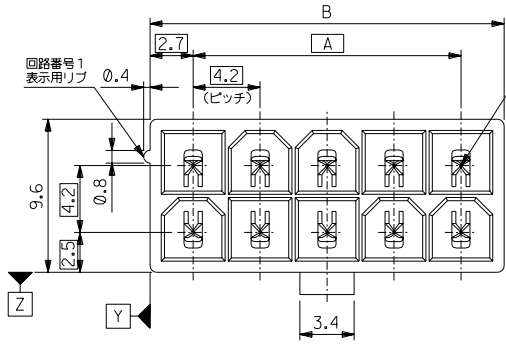
8 7 6 5 4 3 2 1

NOT TOOLED		5566-24BPBS-310	NOT TOOLED		5566-24BPB-310	24	
▲		▲ -22BPBS-310		▲	▲ -22BPB-310	22	
		-20BPBS-310			-20BPB-310	20	
		-18BPBS-310			-18BPB-310	18	
		-16BPBS-310			-16BPB-310	16	
		-14BPBS-310			-14BPB-310	14	
		-12BPBS-310			-12BPB-310	12	
		-10BPBS-310			-10BPB-310	10	
		-08BPBS-310			-08BPB-310	8	
		-06BPBS-310			-06BPB-310	6	
		-04BPBS-310			-04BPB-310	4	
▼		▼	▼	▼	▼		
NOT TOOLED		5566-02BPBS-310	NOT TOOLED		5566-02BPB-310	2	
EDP NO.	ENG. NO.	EDP NO.	ENG. NO.	CKT. SIZE			
5566-NBPBS-310		5566-NBPB-310					
39-31-0246	5566-24BPBS-210	39-31-0244	5566-24BPB-210	24			
▲	▲ -0226	▲	▲ -0224	▲ -22BPB-210		22	
	-0206		-0204	-20BPB-210		20	
	-0186		-0184	-18BPB-210		18	
	-0166		-0164	-16BPB-210		16	
	-0146		-0144	-14BPB-210		14	
	-0126		-0124	-12BPB-210		12	
	-0106		-0104	-10BPB-210		10	
	-0086		-0084	-08BPB-210		8	
	-0066		-0064	-06BPB-210		6	
	-0046		-0044	-04BPB-210		4	
▼	▼	▼	▼				
39-31-0026	5566-02BPBS-210	39-31-0024	5566-02BPB-210	2			
EDP NO.	ENG. NO.	EDP NO.	ENG. NO.	CKT. SIZE			
5566-NBPBS-210		5566-NBPB-210					
39-35-0248	5566-24A-400	39-31-0245	5566-24BPBS	39-31-0243	5566-24BPB	24	
▲	▲ -0228	▲	▲ -0225	▲	▲ -0223	▲ -22BPB	22
	-0208		-0205		-0203	-20BPB	20
	-0188		-0185		-0183	-18BPB	18
	-0168		-0165		-0163	-16BPB	16
	-0148		-0145		-0143	-14BPB	14
	-0128		-0125		-0123	-12BPB	12
	-0108		-0105		-0103	-10BPB	10
	-0088		-0085		-0083	-08BPB	8
	-0068		-0065		-0063	-06BPB	6
	-0048		-0045		-0043	-04BPB	4
▼	▼	▼	▼	▼	▼		
39-35-0028	5566-02A-400	39-31-0025	5566-02BPBS	39-31-0023	5566-02BPB	2	
EDP NO.	ENG. NO.	EDP NO.	ENG. NO.	EDP NO.	ENG. NO.	CKT. SIZE	
5566-NA-400		5566-NBPBS		5566-NBPB			

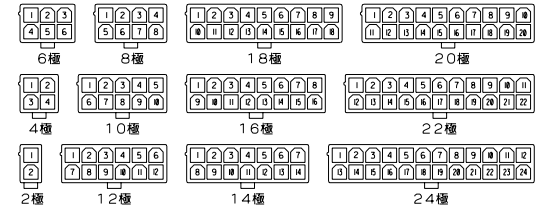
24		材料 MATERIAL		MOLEX-JAPAN CO.,LTD. 日本モレックス株式会社	
5566-N****	J SEE SHEET 1 OF 4	M,N K,T	04/5/25	SEE NOTE 2	REVISE ONLY ON CAD SYSTEM
MODEL NO.	H SEE SHEET 1 OF 4	H,H M,F	94/4/8	仕上げ FINISH	TITLE 名称
角度 ANGLE	1/4 G SEE SHEET 1 OF 4	H,H Y,Y	91/3/1	適用電線範囲 WIRE RANGE	NEW MINI FIT CONNECTOR HEADER HOUSING ASS'Y
30以上 OVER	+0.3 F SEE SHEET 1 OF 4	H,H Y,Y	90/6/8	被覆外径 INS. RANGE	-LEAD FREE-
10以下 UNDER	+0.25 E SEE SHEET 1 OF 4	H,H Y,Y	89/8/25	DRAWN BY 89/4/3	DWG. NO. SHEET 4 OF 4 REV J
10未満 UNDER	+0.2 D SEE SHEET 1 OF 4	H,H Y,Y	89/4/3	CHK'D BY 94/4/28	SD-5566-N****
一般公差 GENERAL TOLERANCES	記号 LTR 変更内容 REVISION RECORD	DR. CHK. DATE	APPRO BY 94/4/28	尺 寸 尺 寸 SCALE	

THIS DRAWING CONTAINS INFORMATION THAT IS PROPRIETARY TO MOLEX/JAPAN AND SHOULD NOT BE USED WITHOUT WRITTEN PERMISSION
 本図面は日本モレックス(株)の所有する権利を含むもので、当社の許可なく複製を禁止する。 EN-01C(032)MXJ-32

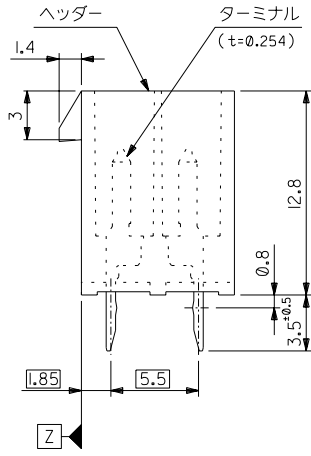
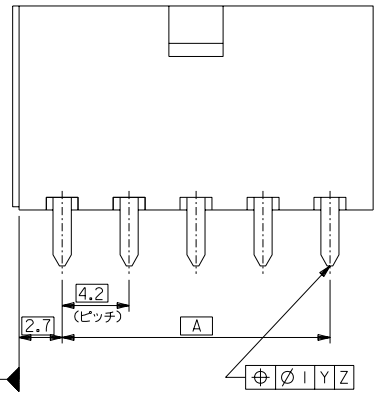
8 7 6 5 4 3 2 1



51.6	46.2	24
47.4	42	22
43.2	37.8	20
39	33.6	18
34.8	29.4	16
30.6	25.2	14
26.4	21	12
22.2	16.8	10
18	12.6	8
13.8	8.4	6
9.6	4.2	4
5.4	—	2
寸法 B	寸法 A	極数

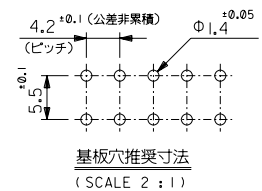


極数別レイアウト図 (SCALE 1:1)



注記

1. 嵌合相手：5557シリーズ
 2. 使用符号の説明
- ベースナンバー 5566 - N A * * - *
- 極数 _____
- アッセンブリ _____
- ターミナル材料
- *BLANK*: 黄銅
 - PB: リン青銅
- ターミナルのメッキ
- *BLANK*: 錫メッキ 0.9μm MIN.
 - GS: ニッケル 1.27μm MIN. 全面下地
 - コンタクト部 金 0.76μm MIN.
 - 半田付け部 錫 2.54μm MIN.
- ヘッダー材料
- *BLANK*: ナイロン 66, UL 94V-2
 - 210: ナイロン 66, UL 94V-0
 - 400: ナイロン 66, UL 94V-0, 黒



		5566-NA***		MODEL NO.	
		MATERIAL		MOLEX-JAPAN CO.,LTD. 日本モレックス株式会社	
		注記 2 参照		EDP. NO. SHEET 2 OF 2 参照	
		仕上げ FINISH		ENG. NO. SHEET 1 OF 2 REV F	
角度 ANGLE	±3°	F 変更 (J2004-4431)	M,N K,T	適用電線範囲 WIRE RANGE	—
30以上 OVER	±0.4 ±0.05	E 変更 (J00638)	H,H	被覆外径 INS. RANGE	—
10以上 未満 UNDER	±0.7 ±0.05	D 変更&再作図 (J00510)	H,H Y,Y	尺度 SCALE	4 - 1
10未満 UNDER	±0.2	記号 LTR	REVISION RECORD	DR. 日付	CHK'D BY
一般公差 GENERAL TOLERANCES	REVISION RECORD	DR. 日付	CHK. DATE	APP'D BY	尺度

THIS DRAWING CONTAINS INFORMATION THAT IS PROPRIETARY TO MOLEX/JAPAN AND SHOULD NOT BE USED WITHOUT WRITTEN PERMISSION. 本図面は日本モレックス(株)の所有する情報を含むもので、当社の許可なく複製を禁止する。 MXJ-8

ENG. NO
SD-5566-NA***

EDP NO. 表 参照

MM DIMENSIONS IN METRIC DO NOT SCALE DRAWING

8 7 6 5 4 3 2 1

39-35-0248	5566-24A-400	24
▲ -0228	▲ -22A-400	22
-0208	-20A-400	20
-0188	-18A-400	18
-0168	-16A-400	16
-0148	-14A-400	14
-0128	-12A-400	12
-0108	-10A-400	10
-0088	-08A-400	8
-0068	-06A-400	6
▼ -0048	▼ -04A-400	4
39-35-0028	5566-02A-400	2
EDP NO.	ENG. NO	極数
5566-NA-400		

39-29-5247	5566-24APB-210	39-29-6248	5566-24AGS-210	39-28-8240	5566-24A-210	24
▲ -5227	▲ -22APB-210	▲ -6228	▲ -22AGS-210	▲ -8220	▲ -22A-210	22
-5207	-20APB-210	-6208	-20AGS-210	-8200	-20A-210	20
-5187	-18APB-210	-6188	-18AGS-210	-8180	-18A-210	18
-5167	-16APB-210	-6168	-16AGS-210	-8160	-16A-210	16
-5147	-14APB-210	-6148	-14AGS-210	-8140	-14A-210	14
-5127	-12APB-210	-6128	-12AGS-210	-8120	-12A-210	12
-5107	-10APB-210	-6108	-10AGS-210	-8100	-10A-210	10
-5087	-08APB-210	-6088	-08AGS-210	-8080	-08A-210	8
-5067	-06APB-210	-6068	-06AGS-210	-8060	-06A-210	6
▼ -5047	▼ -04APB-210	▼ -6048	▼ -04AGS-210	▼ -8040	▼ -04A-210	4
39-29-5027	5566-02APB-210	39-29-6028	5566-02AGS-210	39-28-8020	5566-02A-210	2
EDP NO.	ENG. NO	EDP NO.	ENG. NO	EDP NO.	ENG. NO	極数
5566-NAPB-210		5566-NAGS-210		5566-NA-210		極数

39-29-5246	5566-24APB	39-29-0243	5566-24AGS	39-28-1243	5566-24A	24
▲ -5226	▲ -22APB	▲ -0223	▲ -22AGS	▲ -1223	▲ -22A	22
-5206	-20APB	-0203	-20AGS	-1203	-20A	20
-5186	-18APB	-0183	-18AGS	-1183	-18A	18
-5166	-16APB	-0163	-16AGS	-1163	-16A	16
-5146	-14APB	-0143	-14AGS	-1143	-14A	14
-5126	-12APB	-0123	-12AGS	-1123	-12A	12
-5106	-10APB	-0103	-10AGS	-1103	-10A	10
-5086	-08APB	-0083	-08AGS	-1083	-08A	8
-5066	-06APB	-0063	-06AGS	-1063	-06A	6
▼ -5046	▼ -04APB	▼ -0043	▼ -04AGS	▼ -1043	▼ -04A	4
39-29-5026	5566-02APB	39-29-0023	5566-02AGS	39-28-1023	5566-02A	2
EDP NO.	ENG. NO	EDP NO.	ENG. NO	EDP NO.	ENG. NO	極数
5566-NAPB		5566-NAGS		5566-NA		極数

5566-NA***	材料 MATERIAL	注記 2 参照	MOLEX-JAPAN CO.,LTD. 日本モレックス株式会社
MODEL NO.	仕上げ FINISH	注記 2 参照	EDP. NO. 表 参照
角度 ANGLE	適用電線範囲 WIRE RANGE	—	ENG. NO. SHEET 2 OF 2 REV F
30以上 OVER	被覆外径 INS. RANGE	—	SD-5566-NA***
10以上 30未満 UNDER	DRAWN BY 9/5/17 H.HIRAMOTO	CHK'D BY 9/10/29 M.FUKUSHIMA	TITLE 名称 NEW MINI FIT CONNECTOR HEADER ASS'Y -LEAD FREE-
10未満 UNDER	REVISION RECORD	APP'D BY 9/10/29 M.MENOMOTO	尺度 SCALE —
一般公差 GENERAL TOLERANCES	REVISION RECORD	DR. CHK. DATE	

THIS DRAWING CONTAINS INFORMATION THAT IS PROPRIETARY TO MOLEX/JAPAN AND SHOULD NOT BE USED WITHOUT WRITTEN PERMISSION
本図面は日本モレックス(株)の所有する情報を含むもので、当社の許可なく複製を禁止する。 MXJ-8